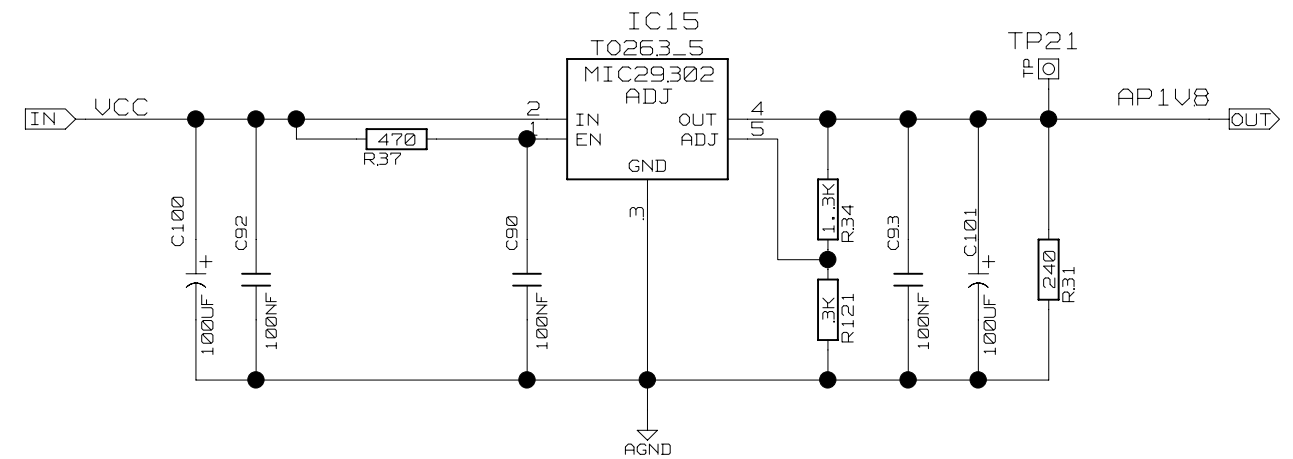
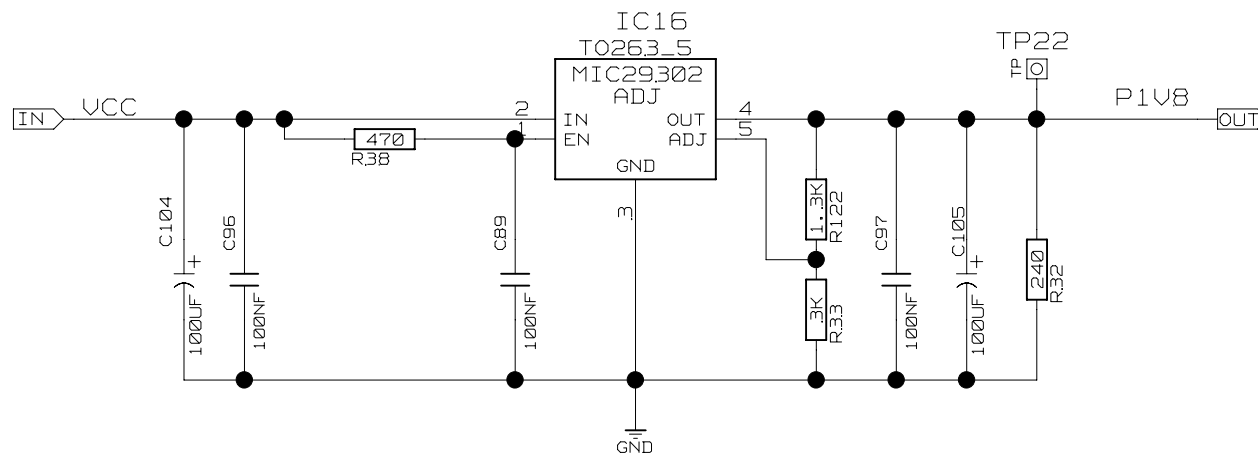
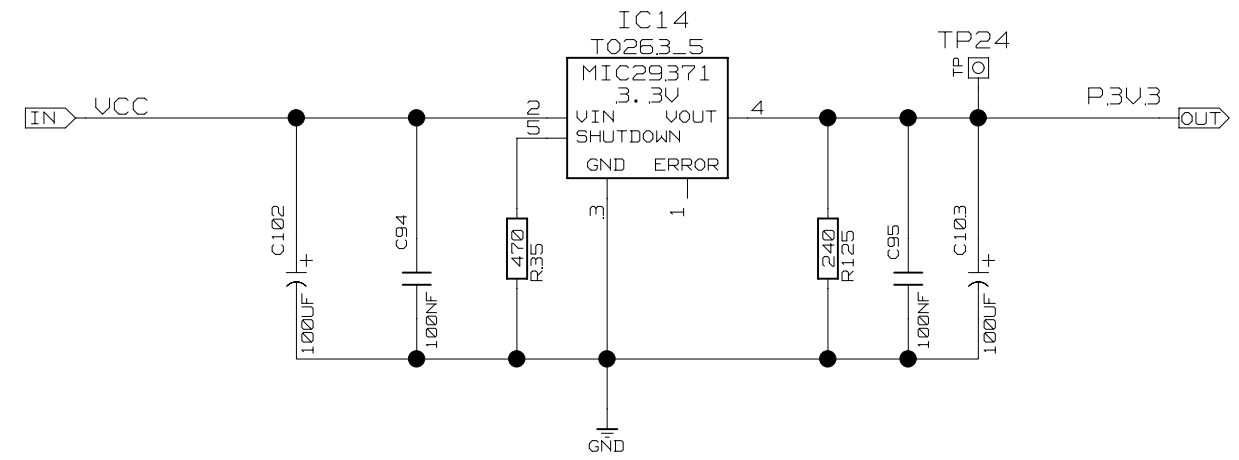
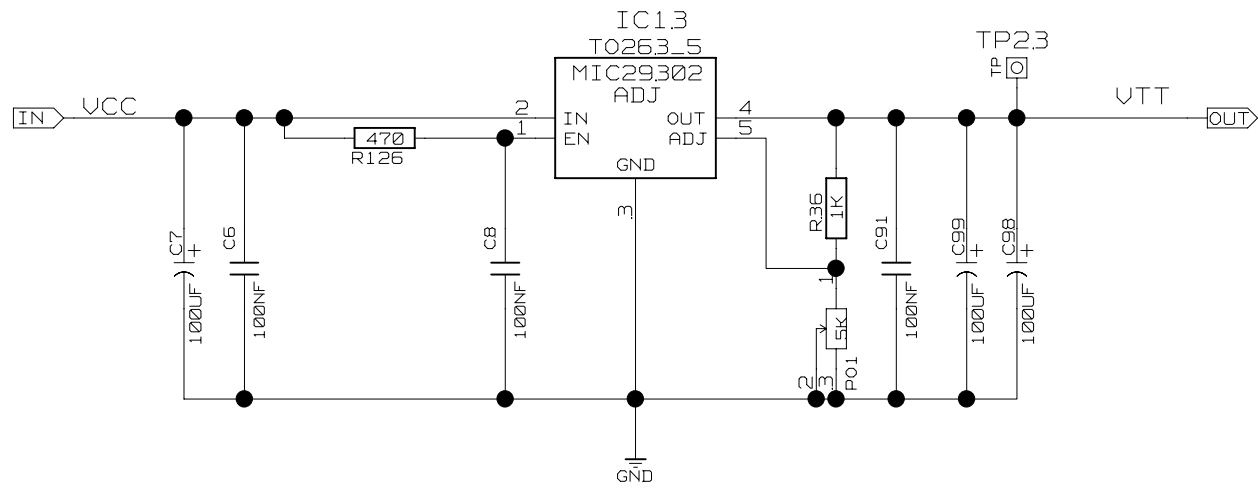

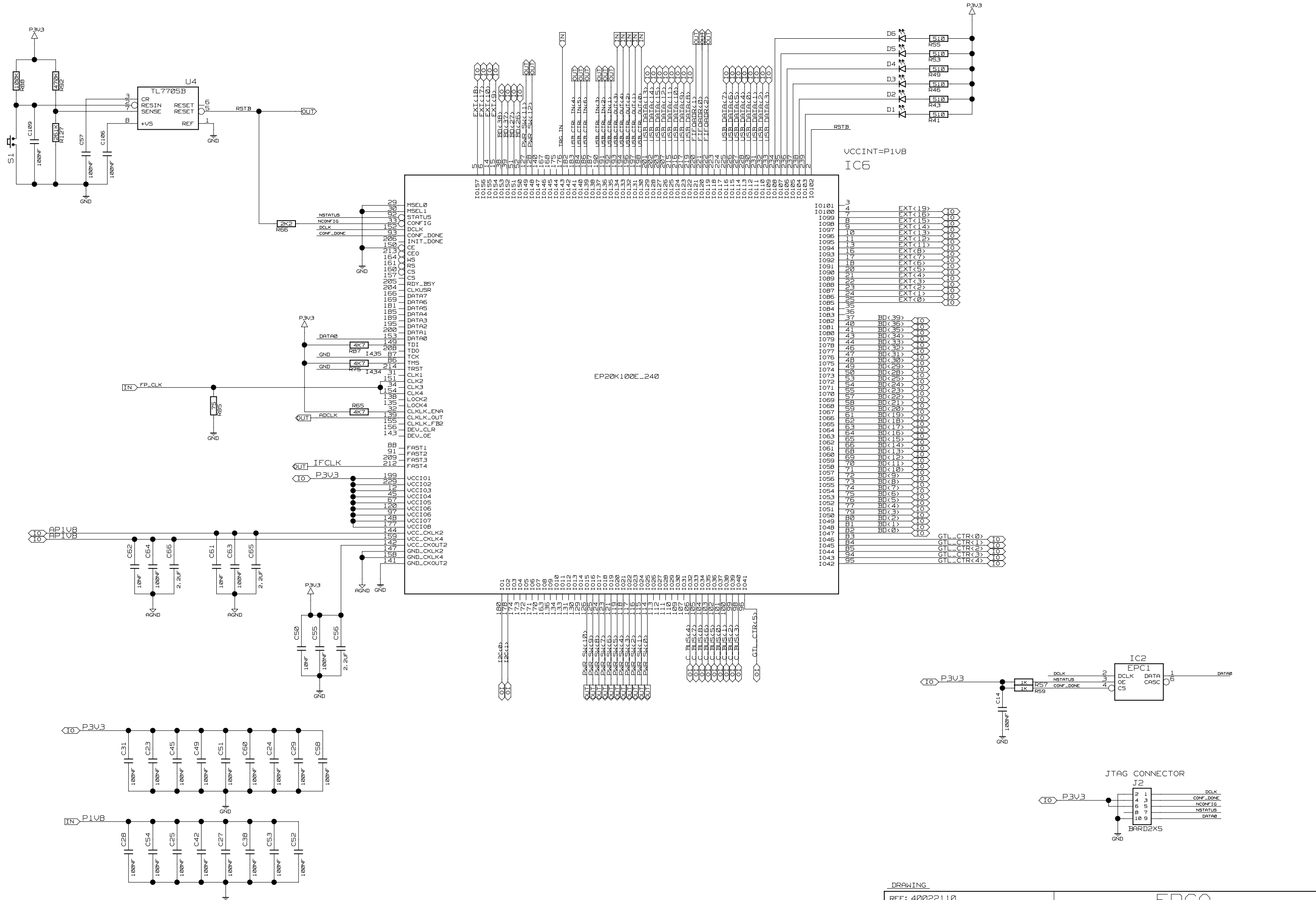


DRAWING		TITLE: RCU_USB_V2	
REF: 40022110	ABBREVI: RCUUSBV2		PAGE: 1/7
	1211 GENEVA 23		LAST_MODIFIED=Thu Dec 2 16:48:33 2004
	SWITZERLAND		DATE: 29/11/2004
DESIGN: A. J. H. B.	ETUDE:		

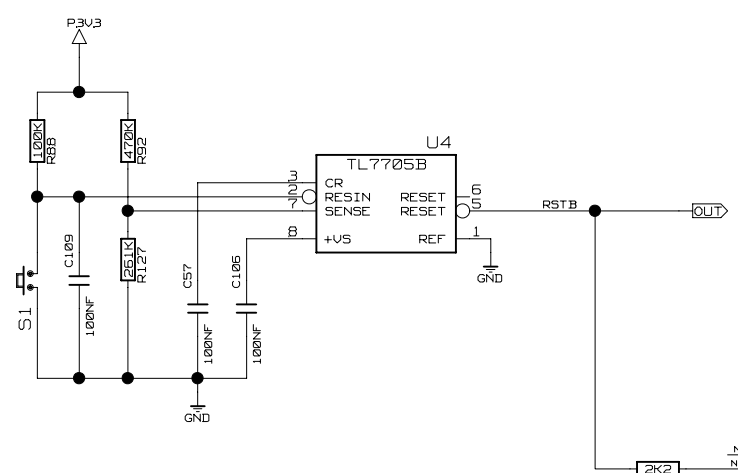
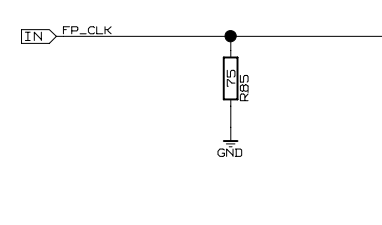
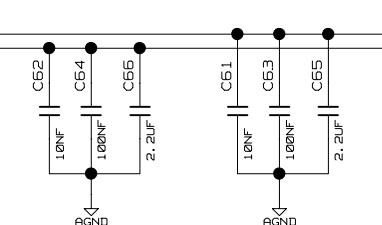
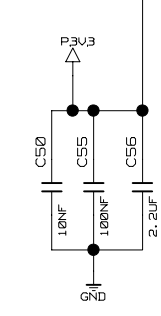
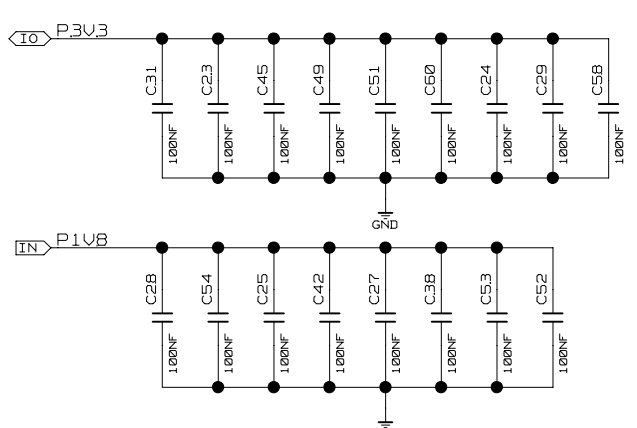
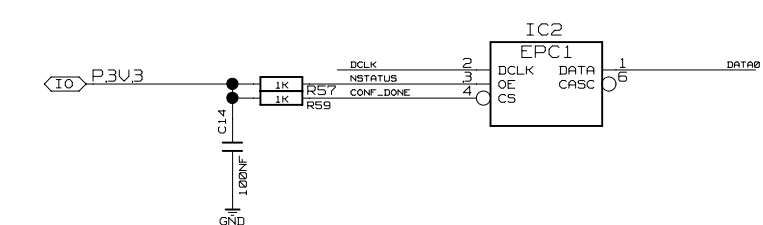
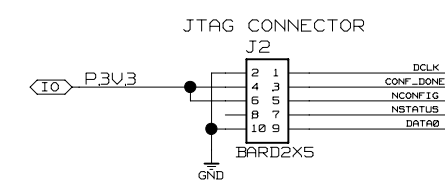
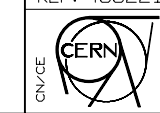


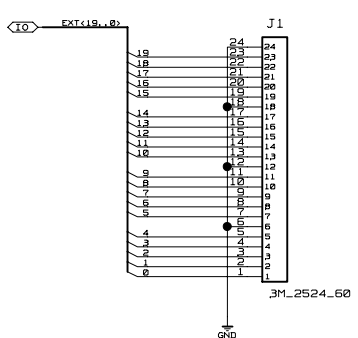
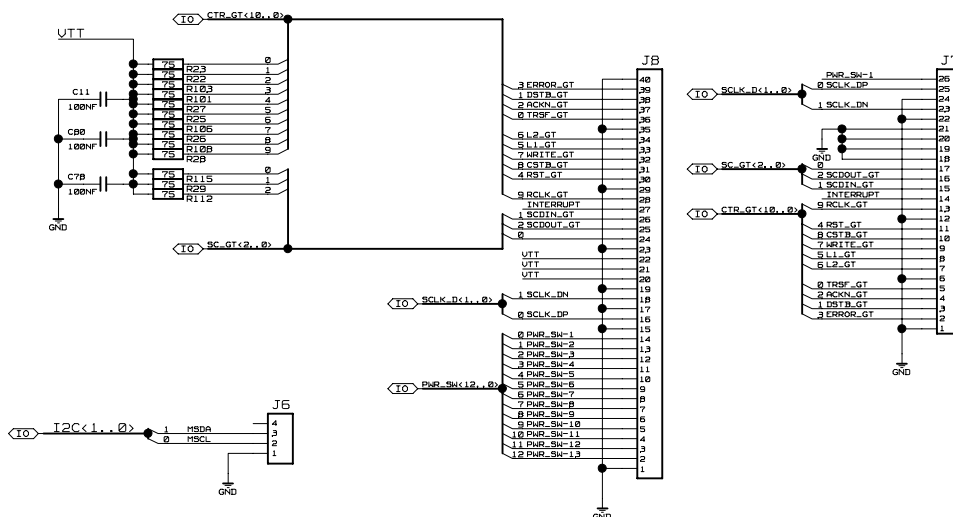
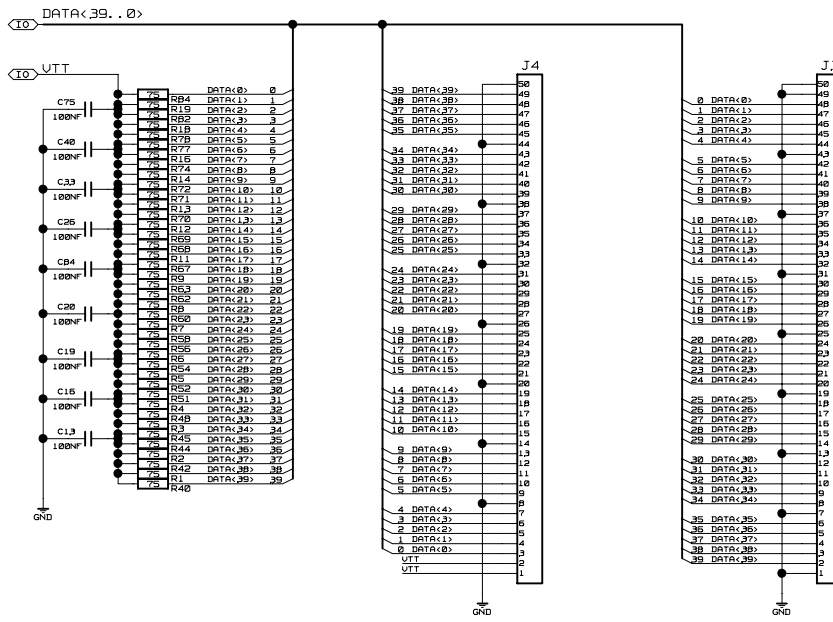
DRAWING

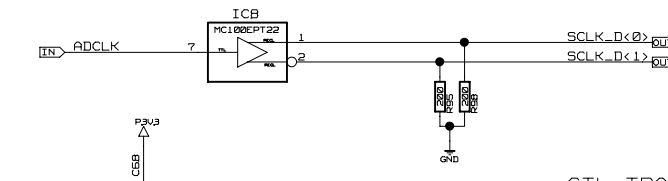
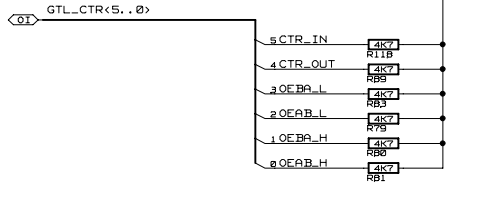
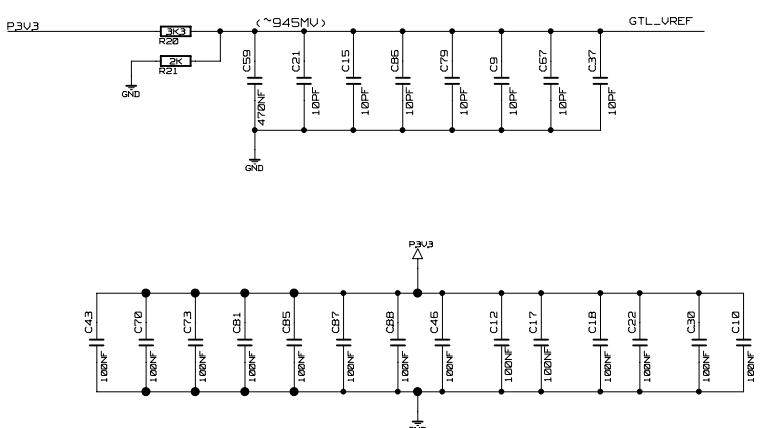
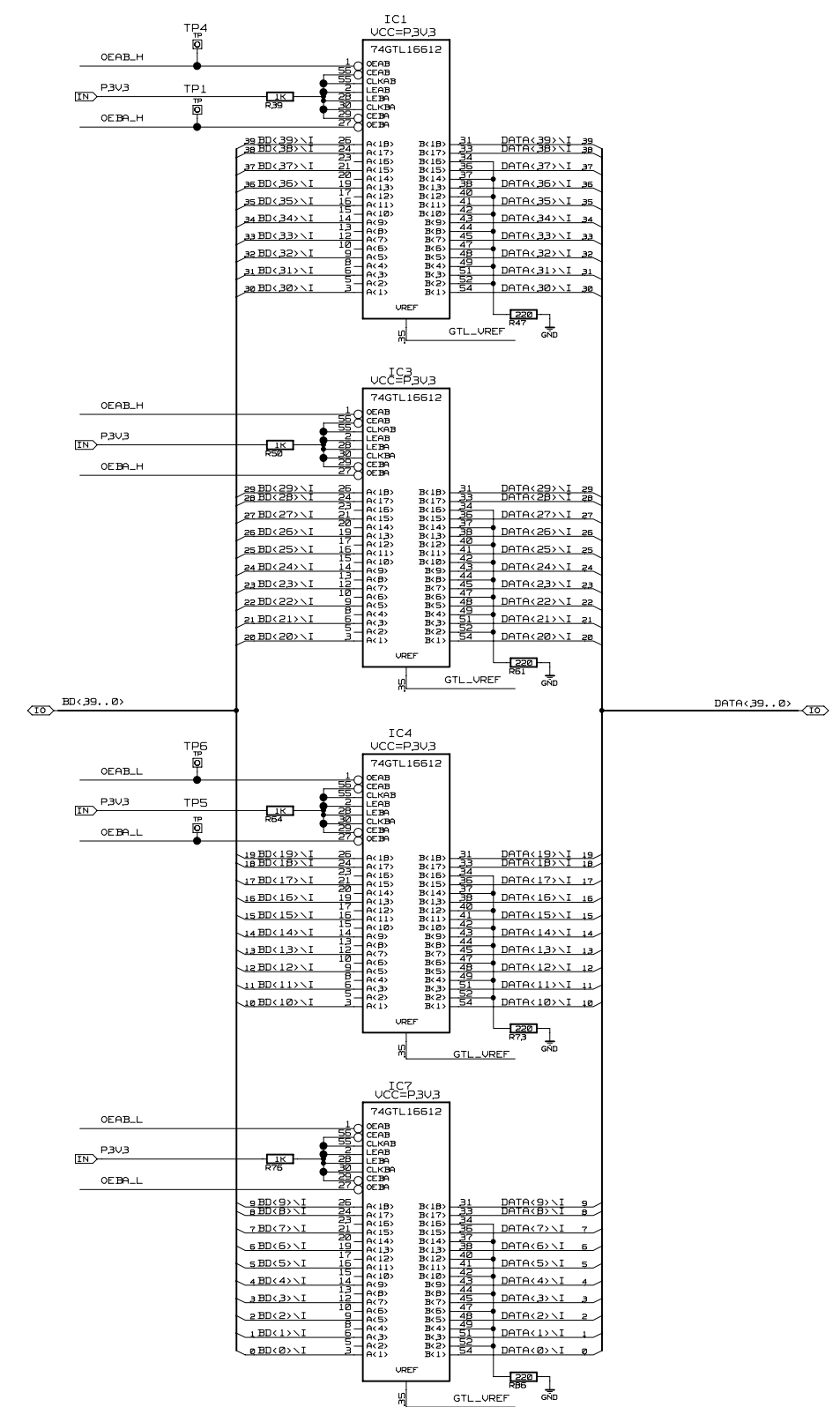
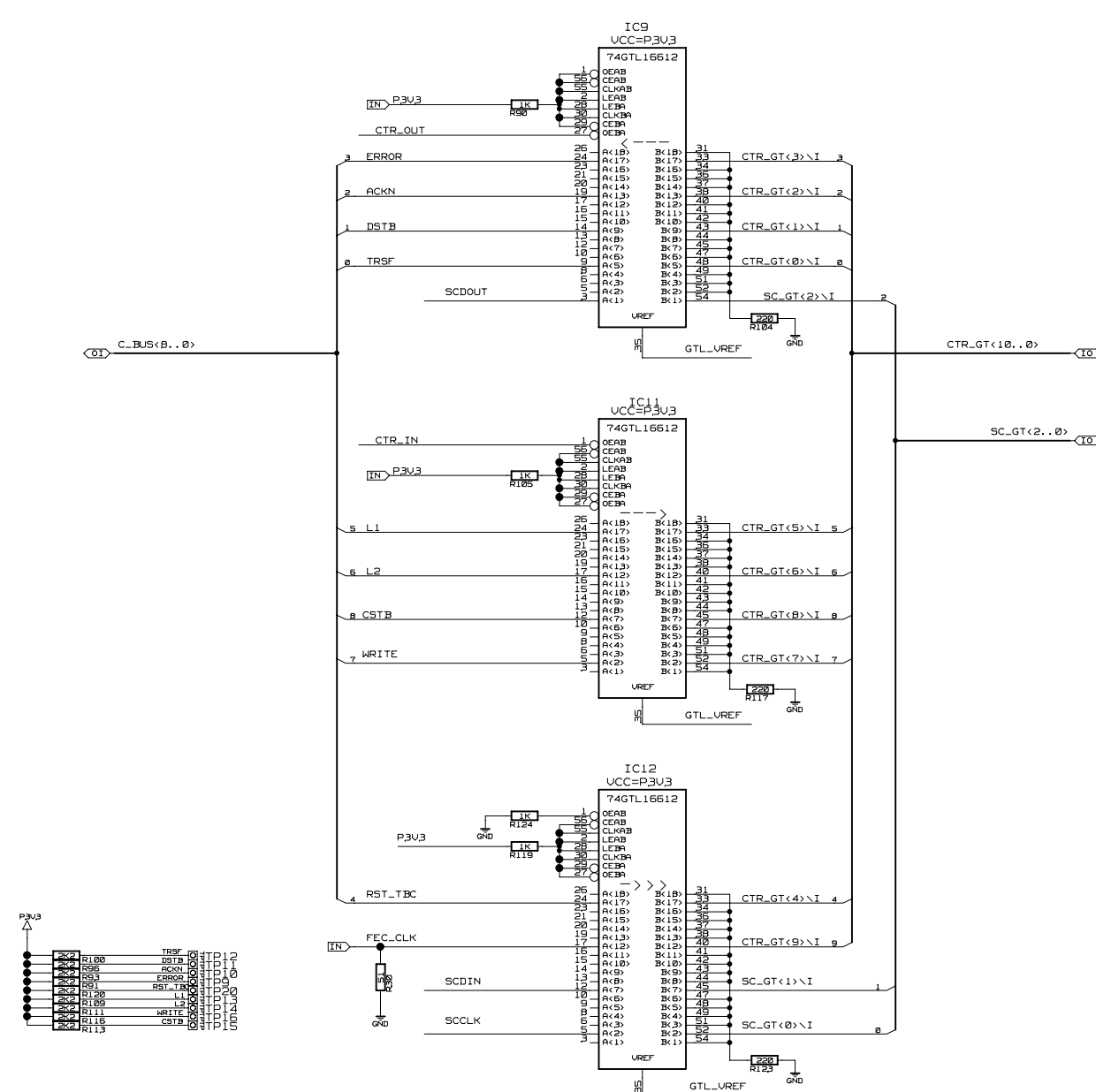
EDMS REF: X	VERSION: X	PCB: X	SYSTEM: X
REF: 40022110		TITLE: P_SUPPLY	
 IT/CE	DIV. PH - ED		PAGE: 3/7
	1211 GENEVA 23		LAST_MODIFIED=Wed Mar 23 11:45:55 2005
	SWITZERLAND		DESSIN: A. JUNIQUE
		DATE: 29/11/2004	



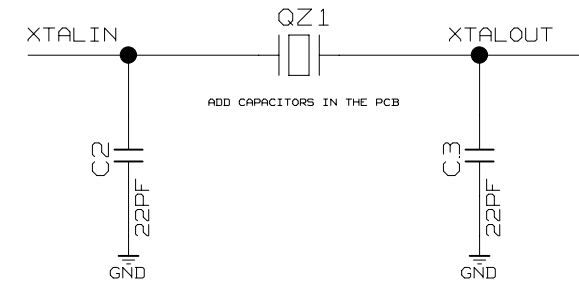
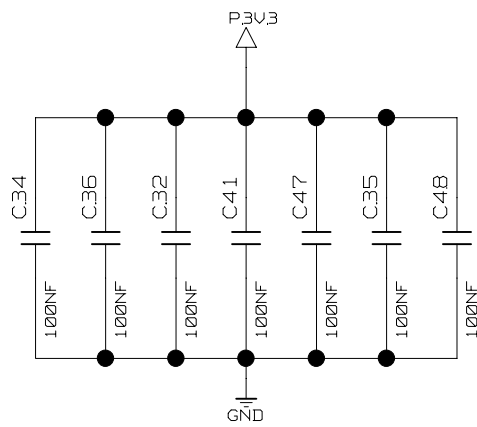
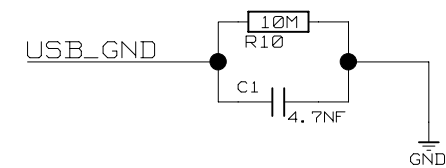
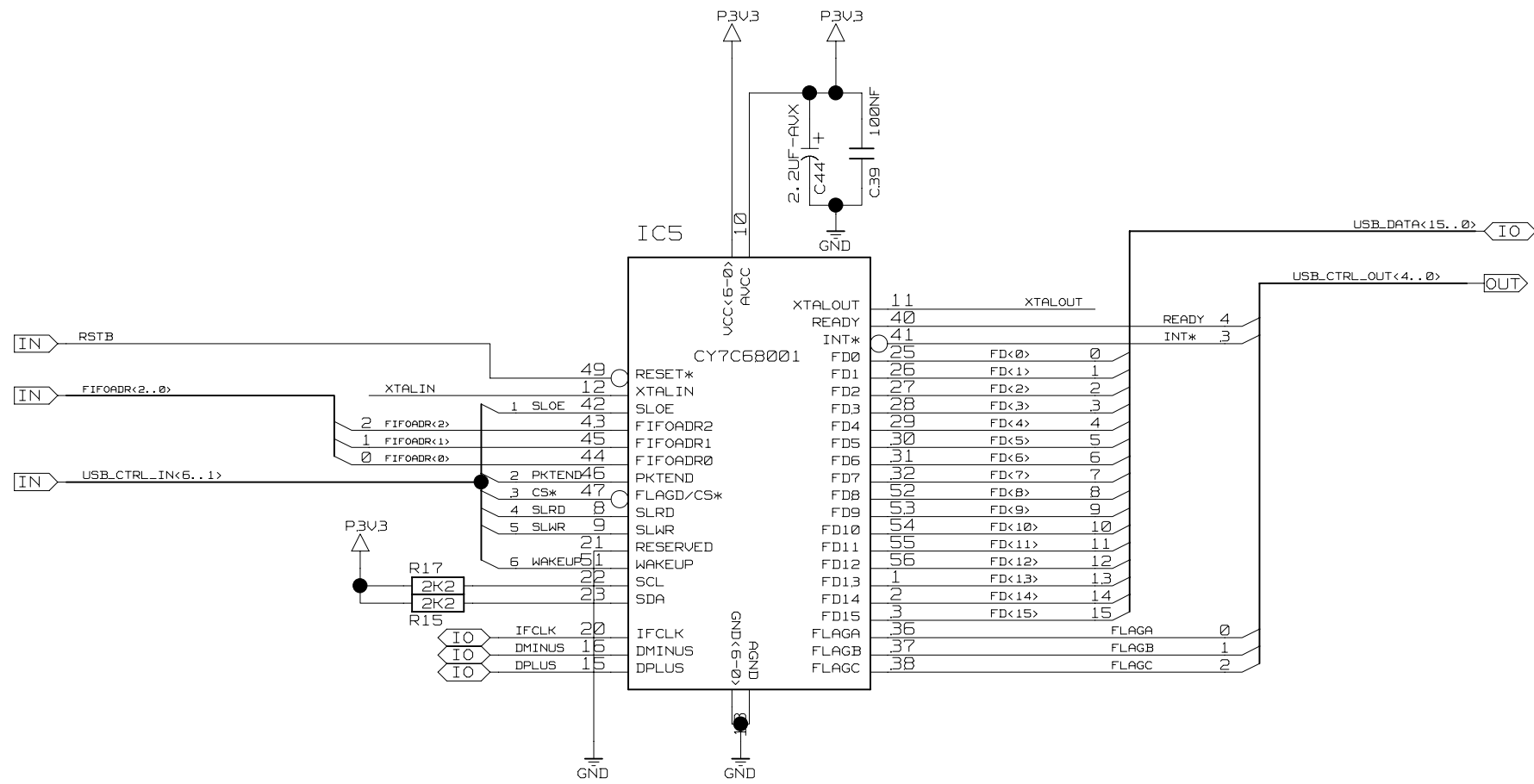
DRAWING		TITLE: FPGA	
REF: 40022110	DIV. PH/ED	ABBREV: FPGA	PAGE: 4/7
1211 GENEVA 23 SWITZERLAND		LAST_MODIFIED=Wed Mar 23 11:45:22 2005	
DESSIN: A. J. H. B.	ETUDE: A. J. H. B.	DATE: 29/11/2004	

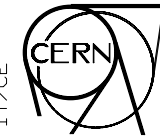


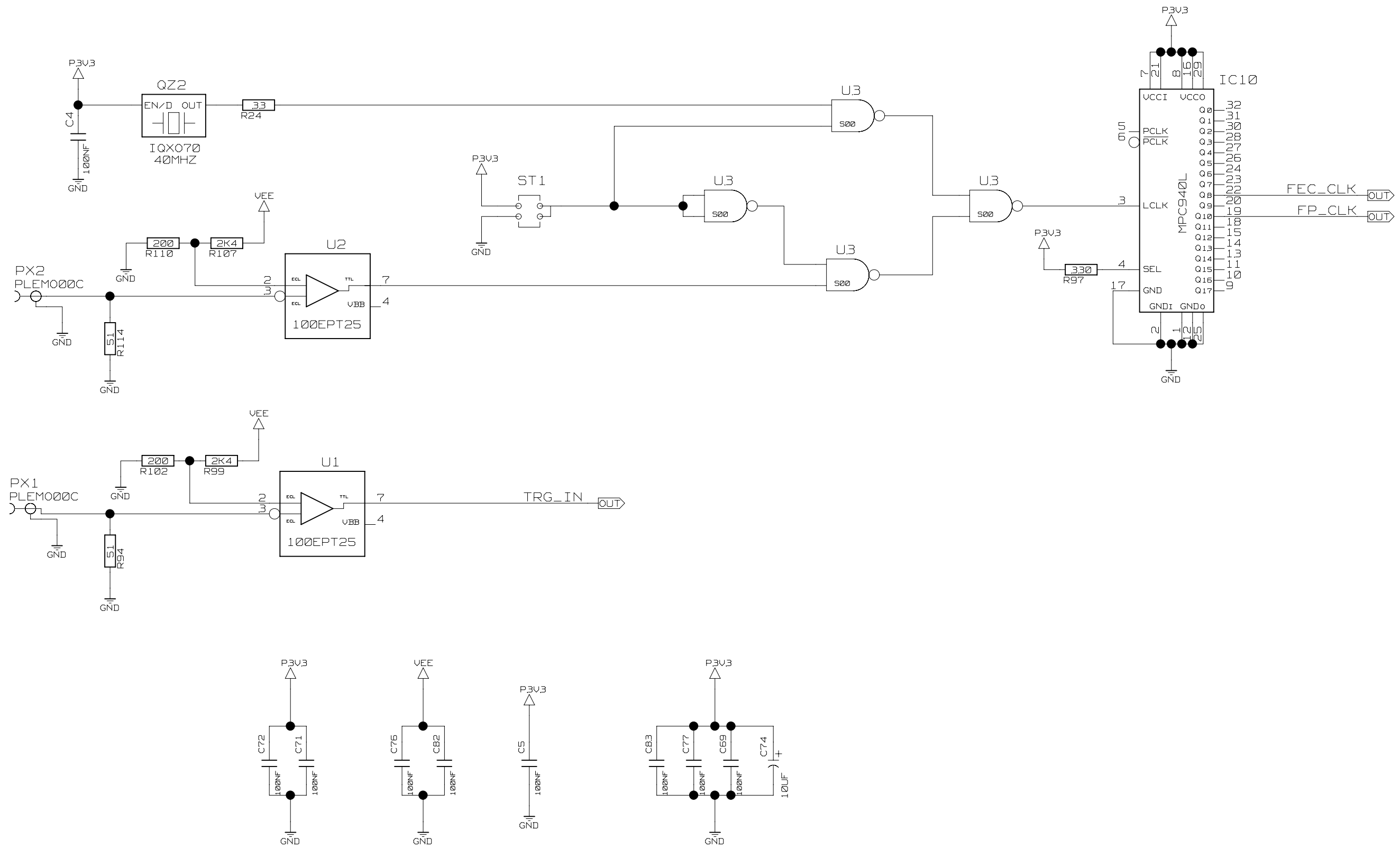


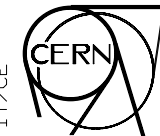


GTL TRANSCEIVERS TYPE :
PHILIPS GTL16612 DGG < IN TSSOP PACKAGE >



DRAWING			
EDMS REF: X	VERSION: X	PCB: X	SYSTEM: X
REF: 40022110		TITLE: USB_CONTROLLER	
 DIV. PH/ED 1211 GENEVA 23 SWITZERLAND	ABBREV: USBC	PAGE: 2/7	
	LAST_MODIFIED=Thu Mar 17 11:25:52 2005		
	DESSIN: A. J. H. B.	ETUDE: A. J. H. B.	DATE: 29/11/2004



DRAWING		EDMS REF: X		VERSION: X		PCB: X		SYSTEM: X	
REF: 40022110		TITLE: NIM							
 DIV. PH / ED 1211 GENEVA 23 SWITZERLAND		ABBREVIATION: NIM		PAGE: 7/7		LAST_MODIFIED=Wed Mar 23 11:46:23 2005			
		DESSIN: A. JUNIQUE		ETUDE: A. JUNIQUE		DATE: 29/11/2004			