
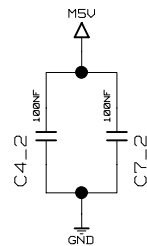
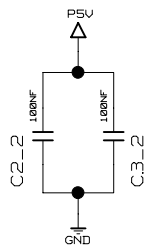
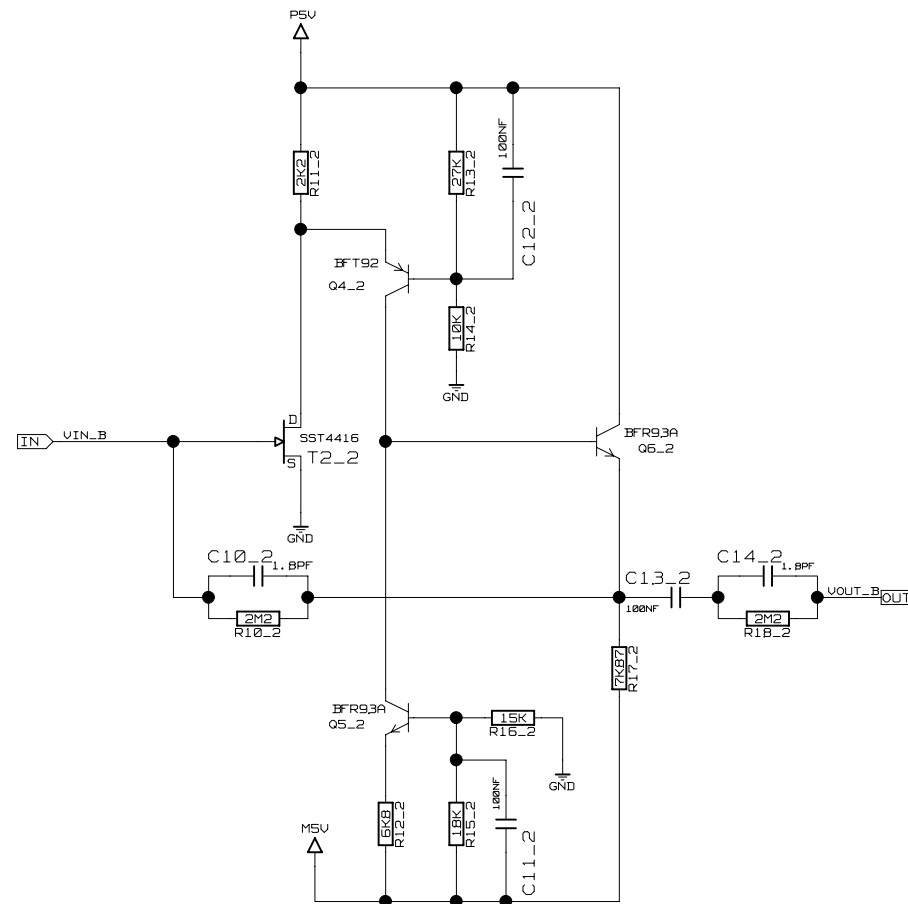
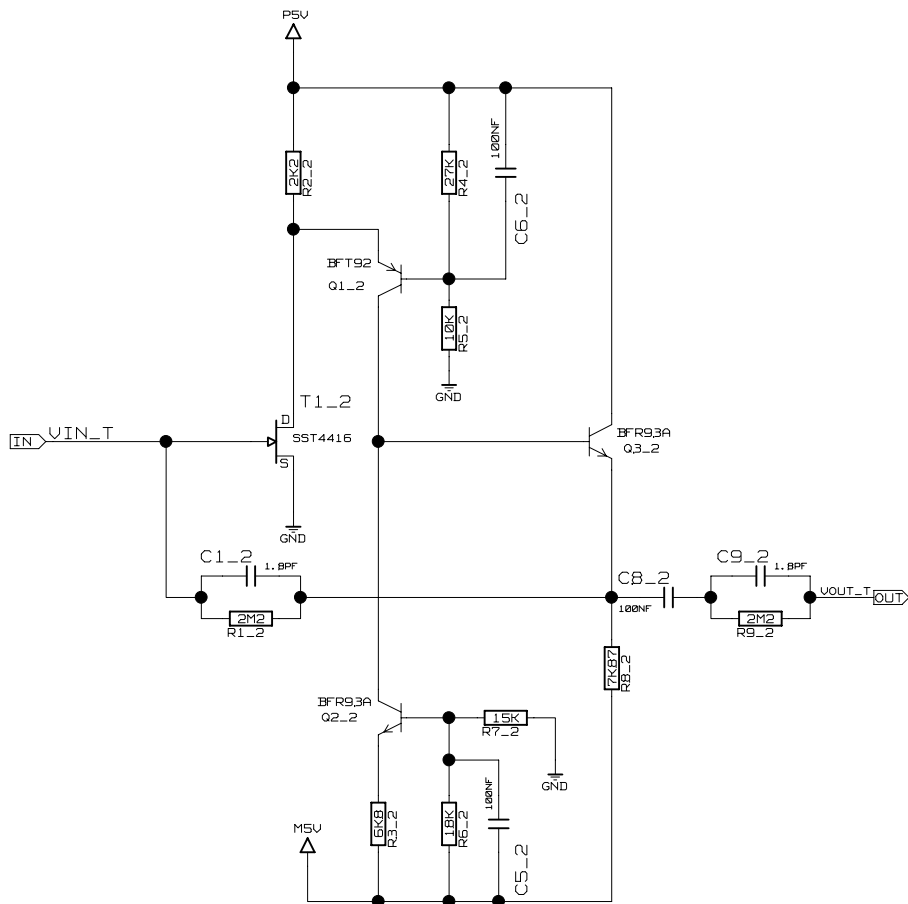



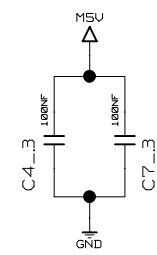
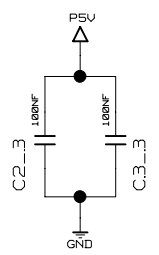
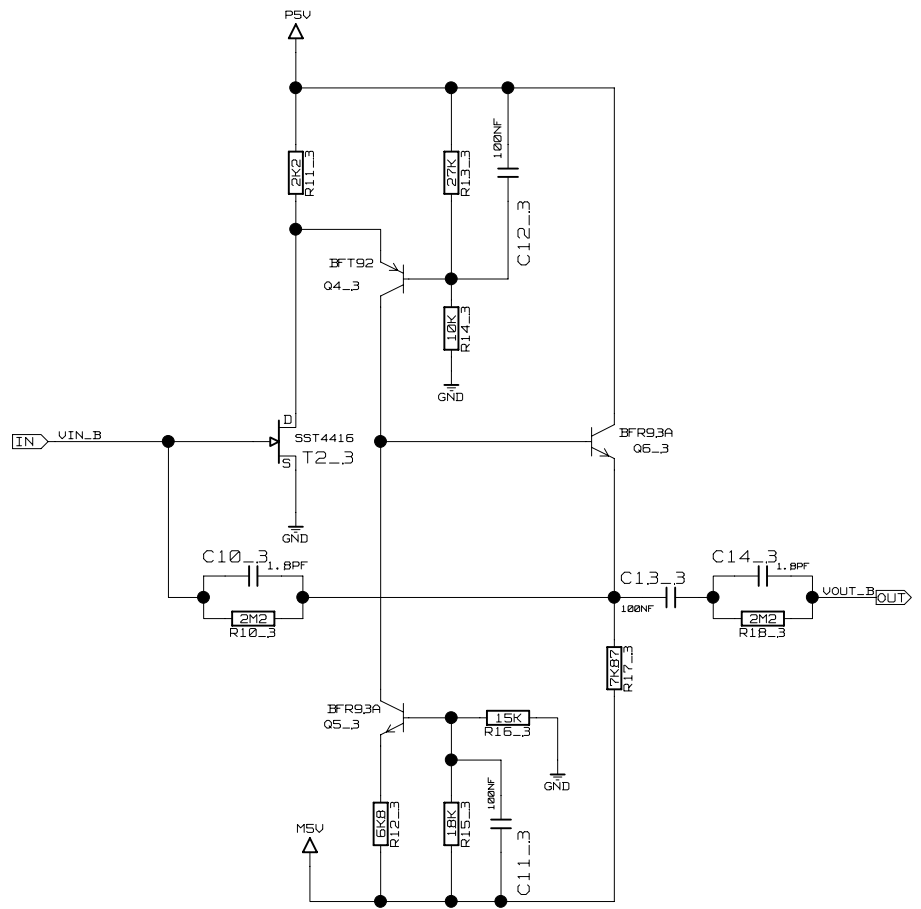
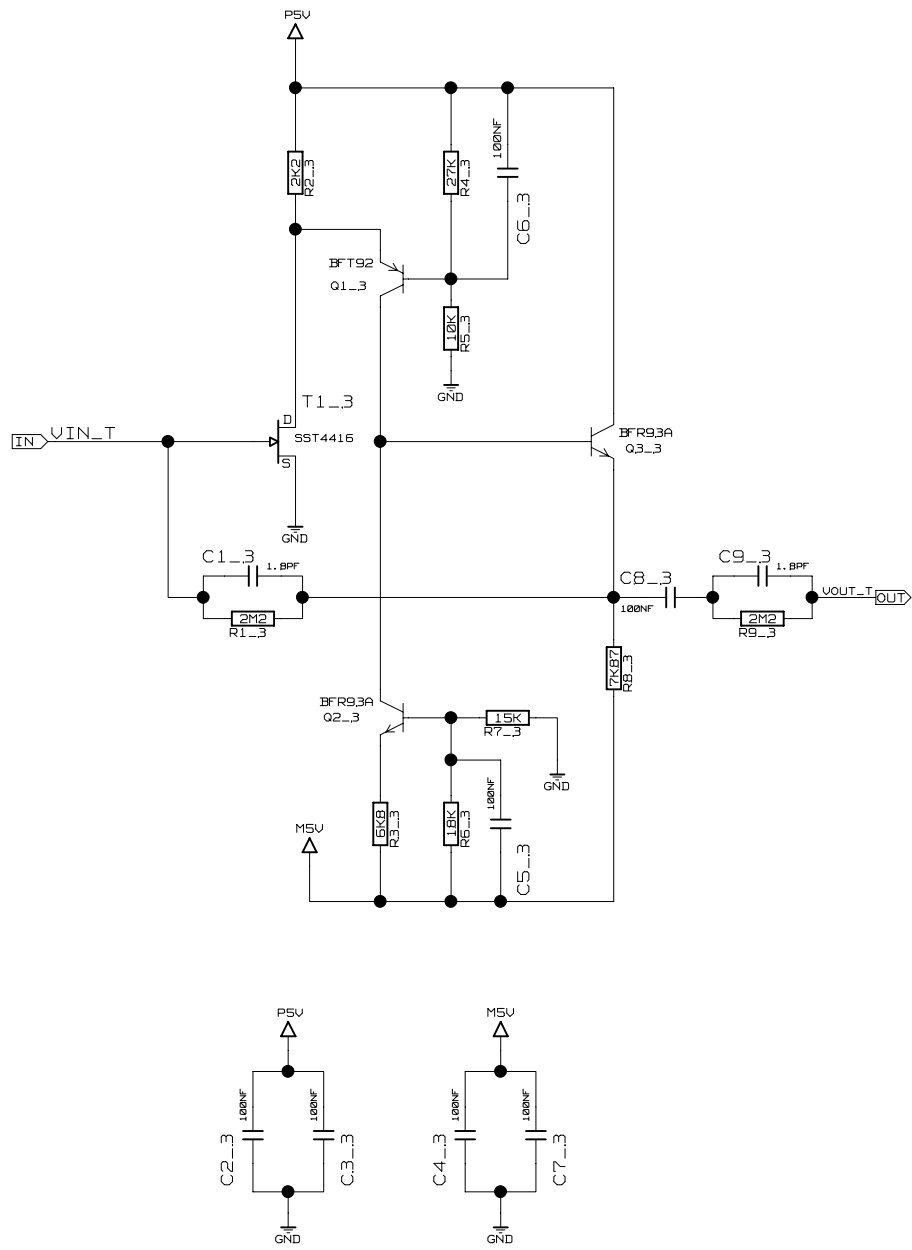
DRAWING

EDMS REF: X	VERSION: X	PCB: X	SYSTEM: X
REF:50024012		TITLE: CHANNEL	
 IT/CE	DIV.EPH_LEP_DTA	ABBREU: CH	PAGE:
	1211 GENEVA 23	LAST_MODIFIED=Fri Jun 17 11:26:35 2005	
	SWITZERLAND	DESSIN: A. JUNIQUE	ETUDE:C.ENGSTER




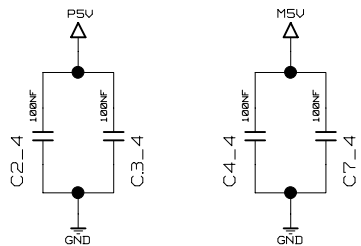
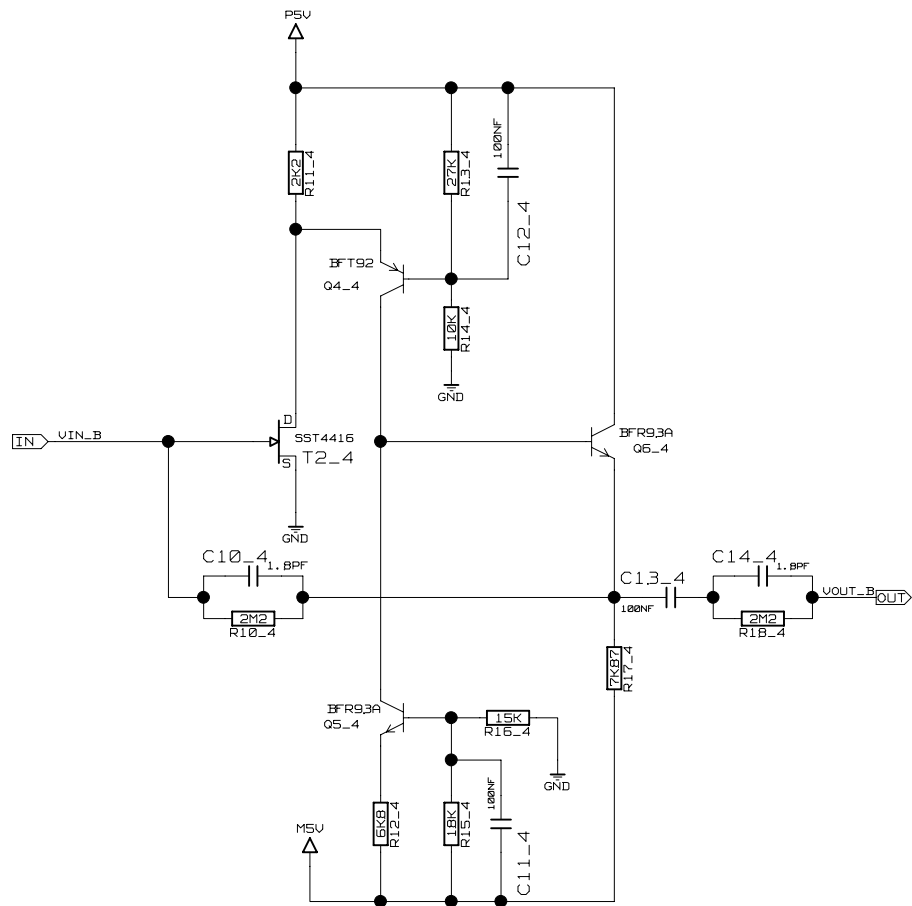
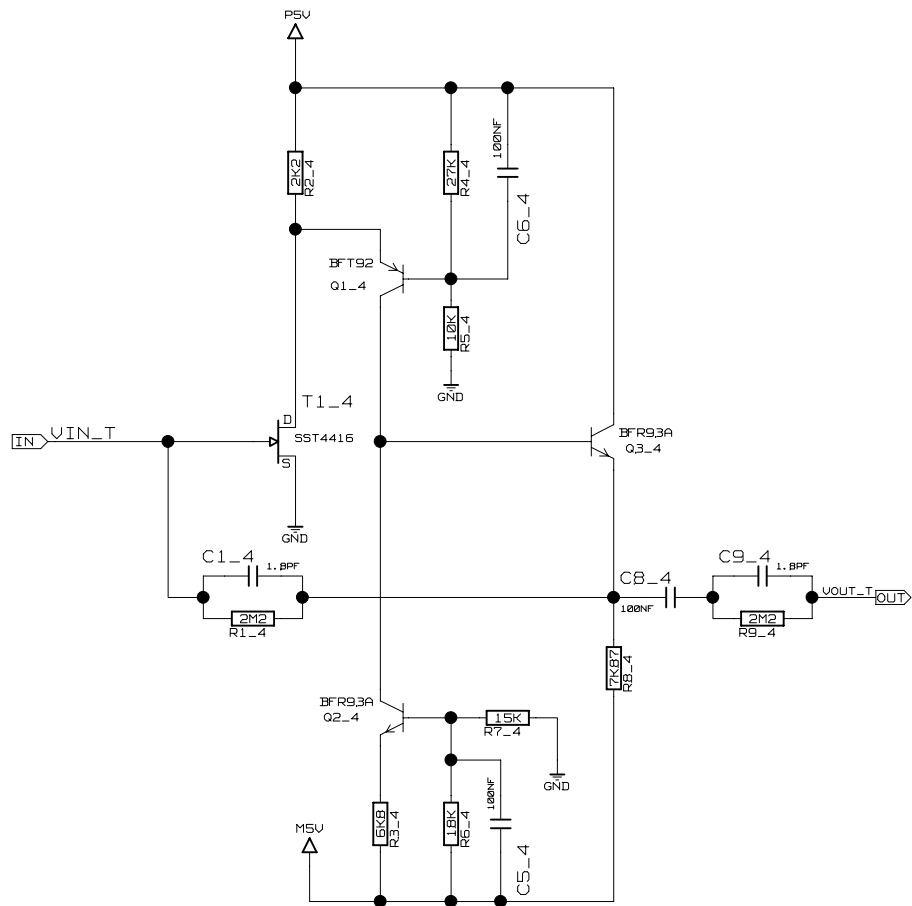
DRAWING

EDMS REF: X	VERSION: X	PCB: X	SYSTEM: X
REF:50024012		TITLE: CHANNEL	
 IT/CE	DIV.EPH_LEP_DTA	ABBREU: CH	PAGE:
	1211 GENEVA 23	LAST_MODIFIED=Fri Jun 17 11:26:35 2005	
	SWITZERLAND	DESSIN: A. JUNIQUE	ETUDE:C.ENGSTER




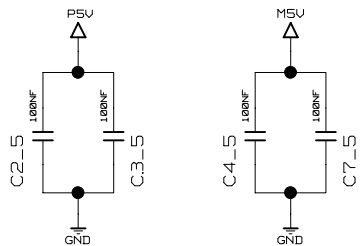
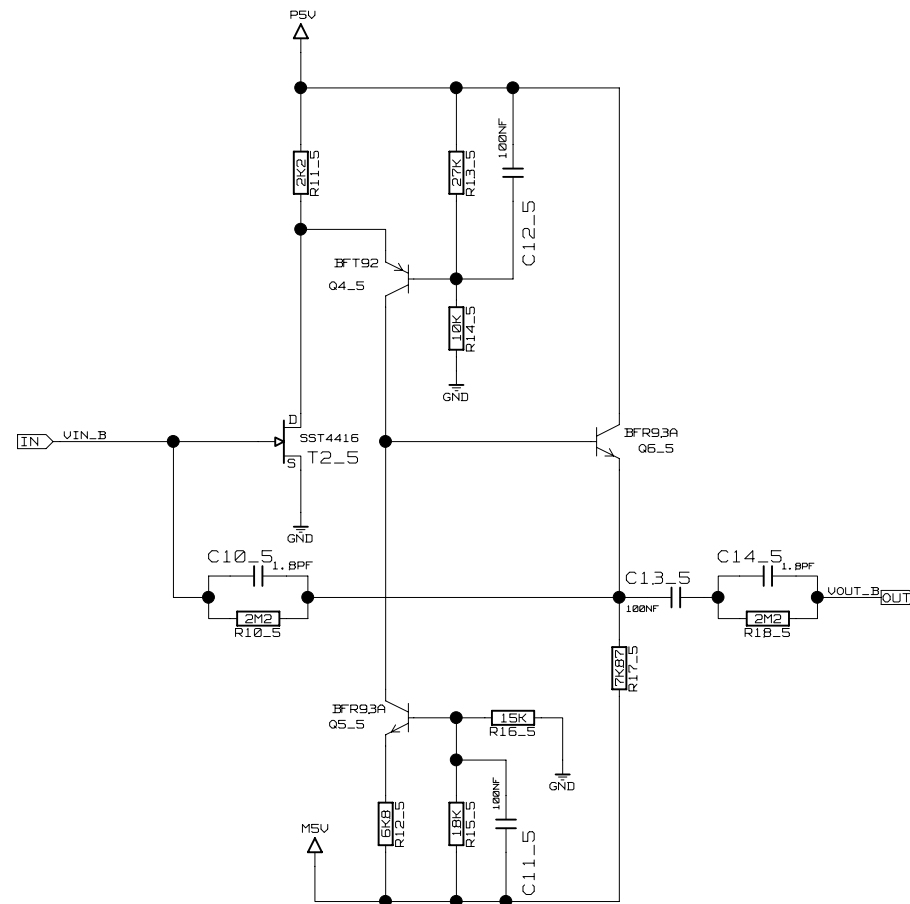
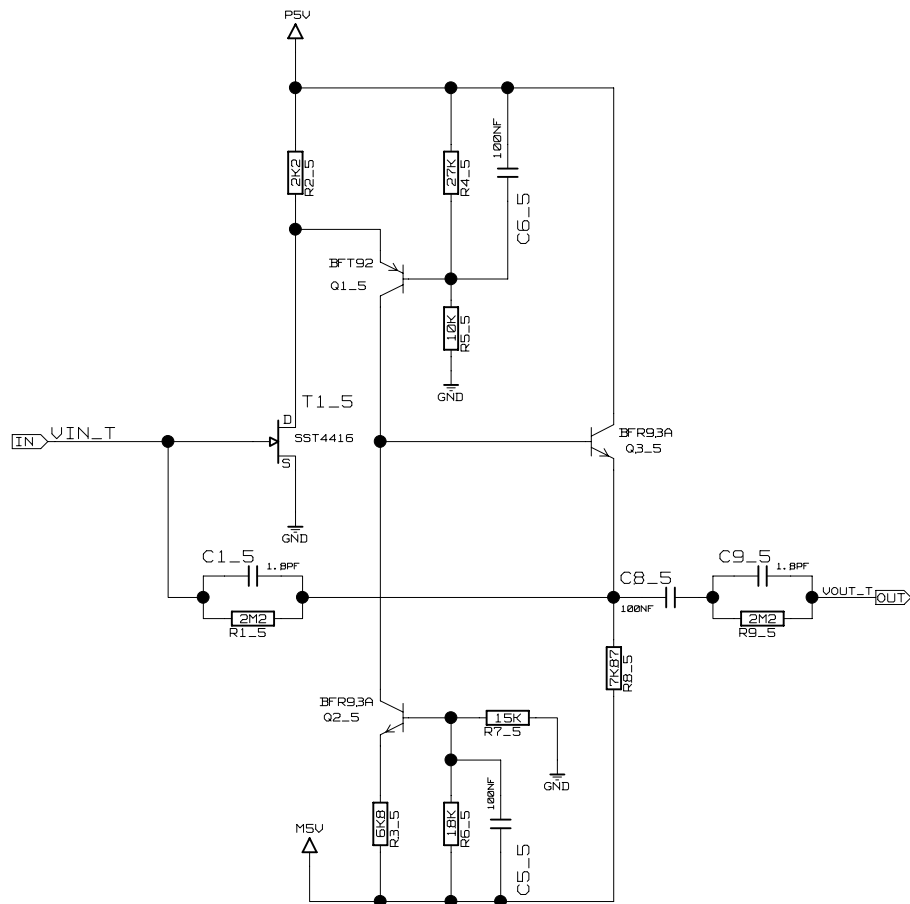
DRAWING

EDMS REF: X	VERSION: X	PCB: X	SYSTEM: X
REF:50024012		TITLE: CHANNEL	
 DIV.EPH_LEP_DTA 1211 GENEVA 23 SWITZERLAND	ABBREU: CH	PAGE:	
	LAST_MODIFIED=Fri Jun 17 11:26:35 2005		
	DESSIN: A. JUNIQUE	ETUDE:C. ENGSTER	DATE: 21/04/05




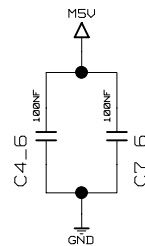
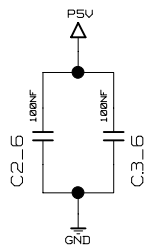
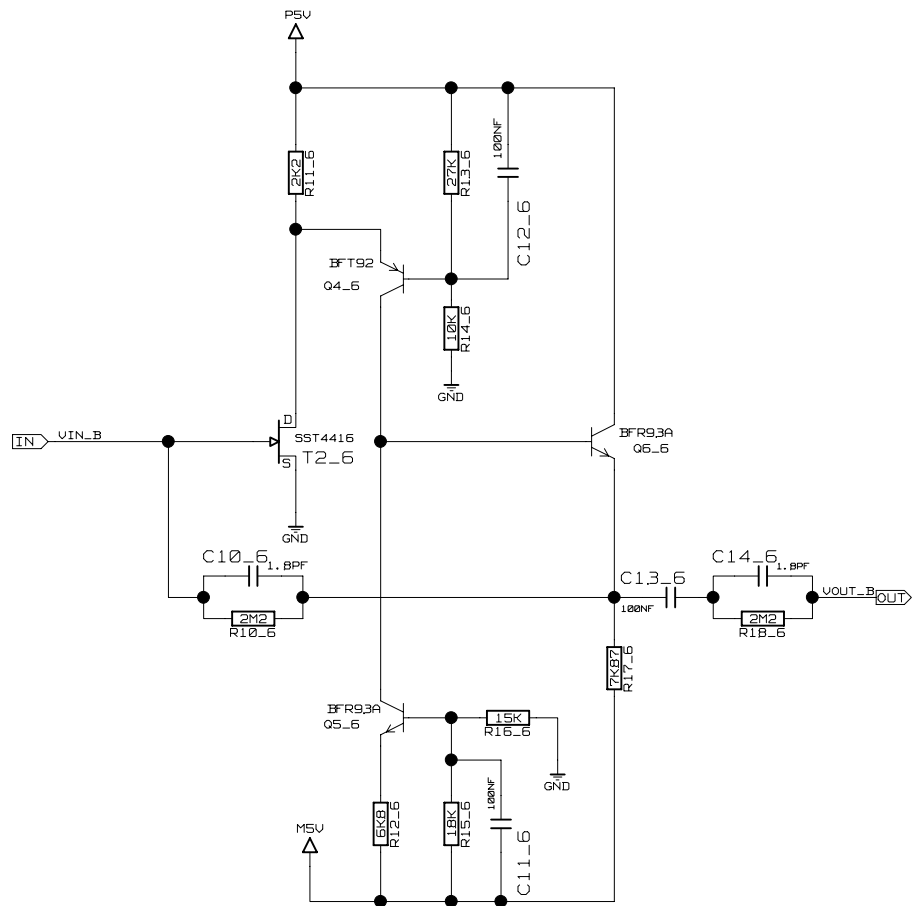
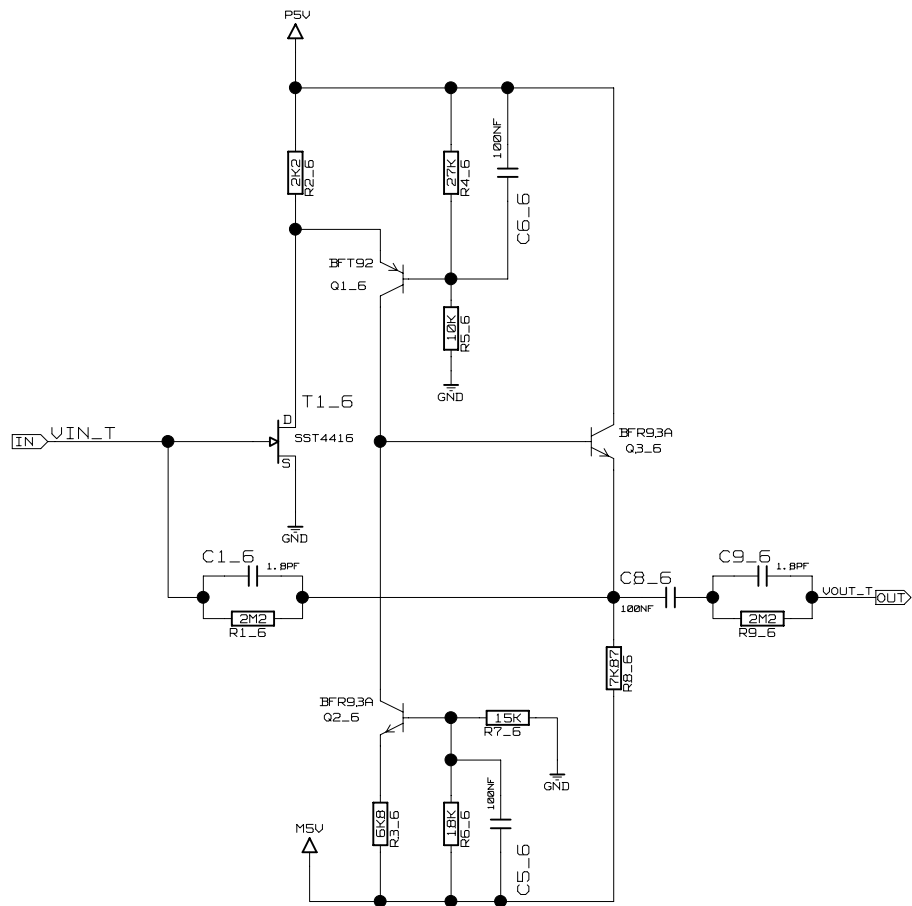
DRAWING

EDMS REF: X	VERSION: X	PCB: X	SYSTEM: X
REF:50024012		TITLE: CHANNEL	
 IT/CE	DIV.EPH_LEP_DTA	ABBREU: CH	PAGE:
	1211 GENEVA 23	LAST_MODIFIED=Fri Jun 17 11:26:35 2005	
	SWITZERLAND	DESSIN: A. JUNIQUE	ETUDE:C.ENGSTER

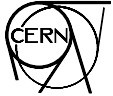


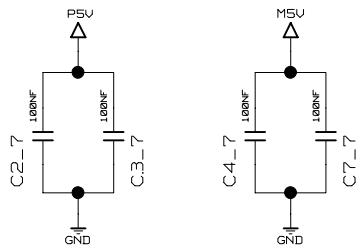
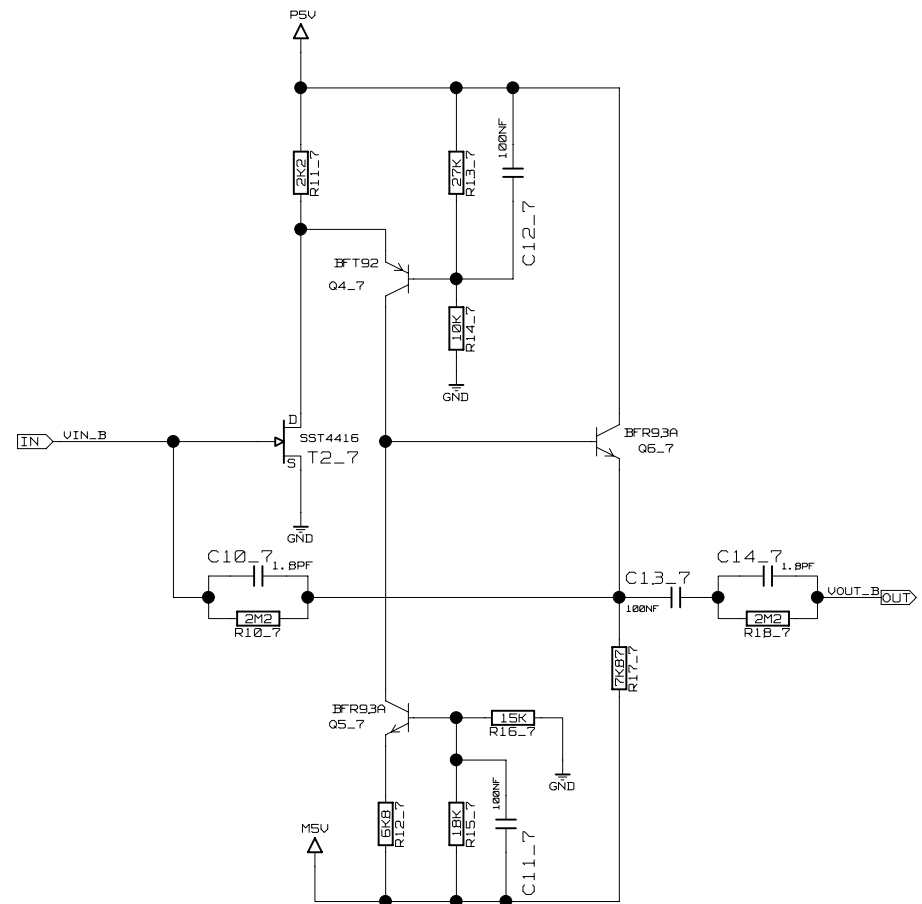
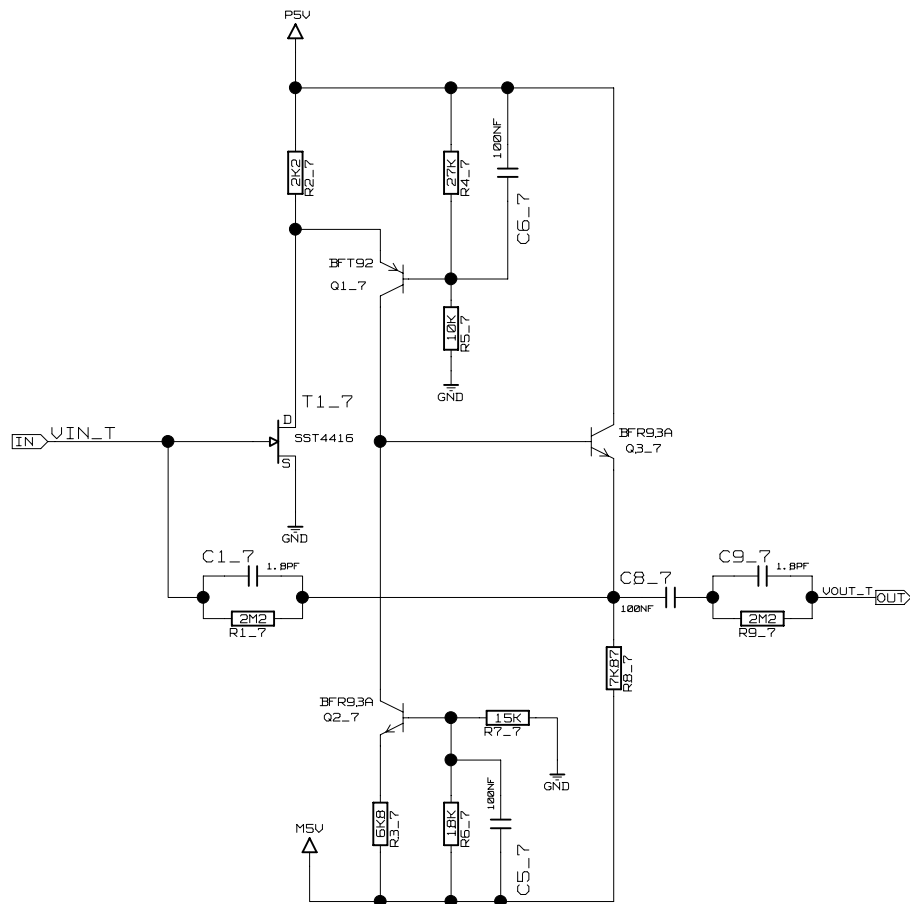
DRAWING

EDMS REF: X	VERSION: X	PCB: X	SYSTEM: X
REF:50024012		TITLE: CHANNEL	
 IT/CE	DIV.EPH_LEP_DTA	ABBREU: CH	PAGE:
	1211 GENEVA 23	LAST_MODIFIED=Fri Jun 17 11:26:35 2005	
	SWITZERLAND	DESSIN: A. JUNIQUE	ETUDE:C. ENGSTER
		DATE: 21/04/05	

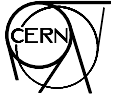


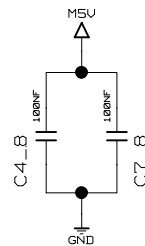
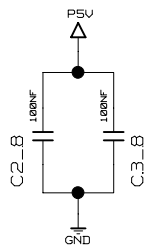
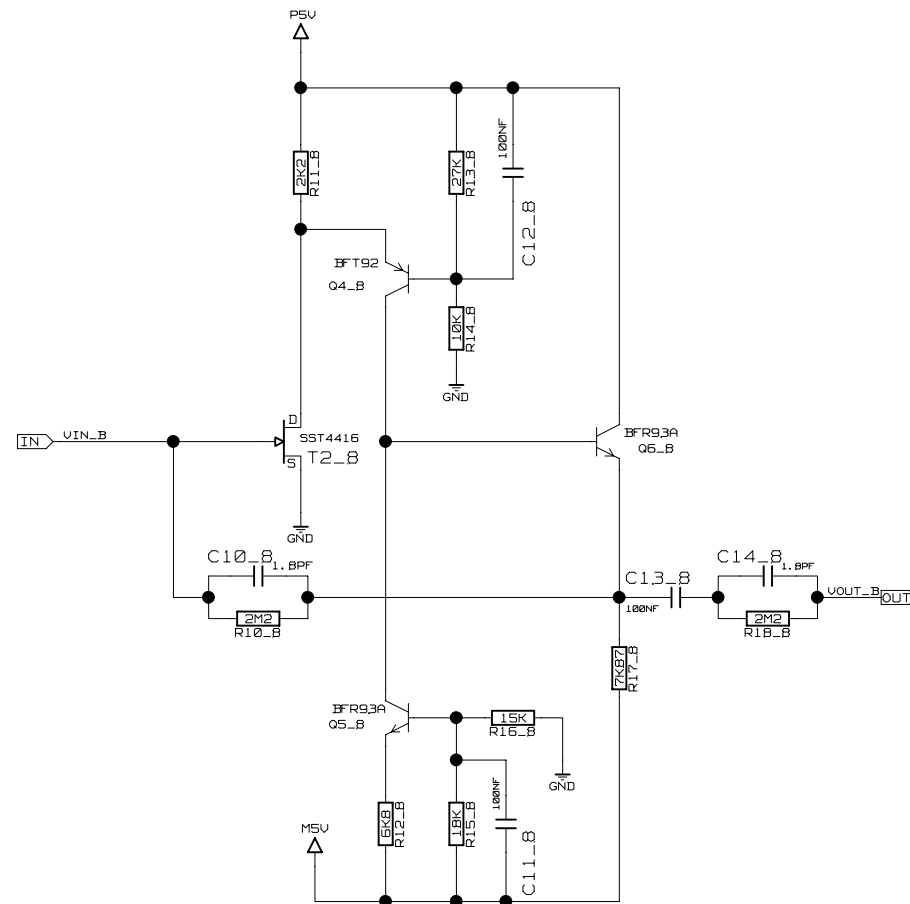
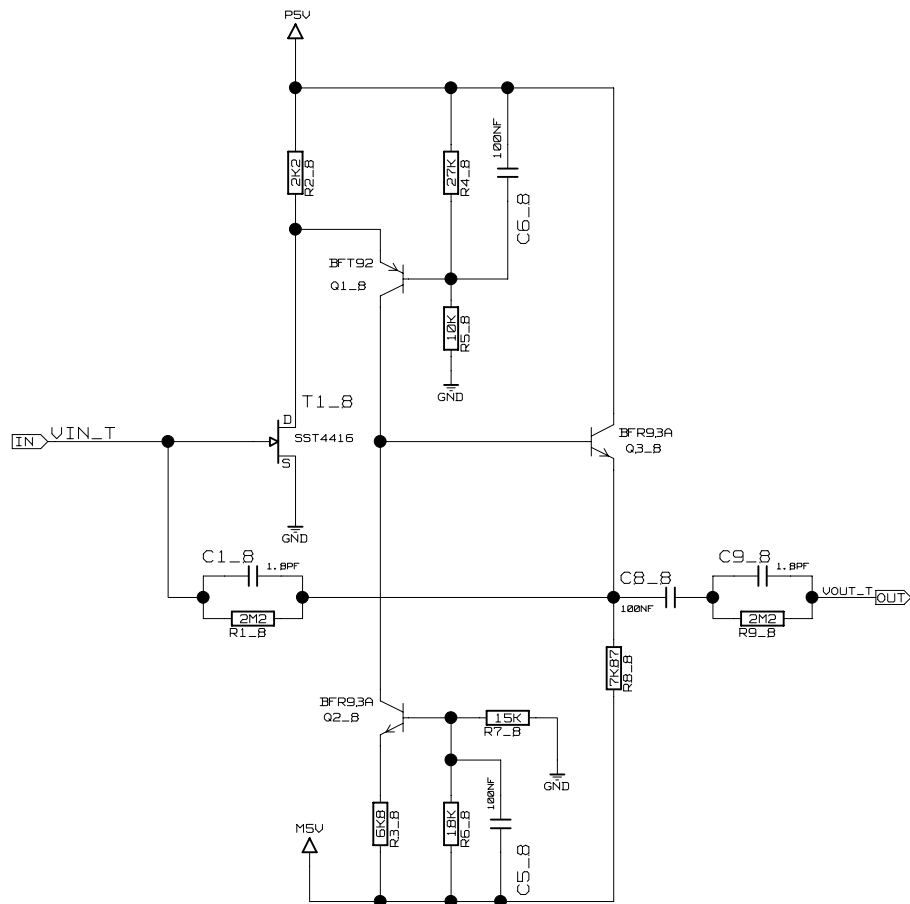
DRAWING

EDMS REF: X	VERSION: X	PCB: X	SYSTEM: X
REF:50024012		TITLE: CHANNEL	
 IT/CE	DIV.EPH_LEP_DTA	ABBREU: CH	PAGE:
	1211 GENEVA 23	LAST_MODIFIED=Fri Jun 17 11:26:35 2005	
	SWITZERLAND	DESSIN: A. JUNIQUE	ETUDE:C. ENGSTER




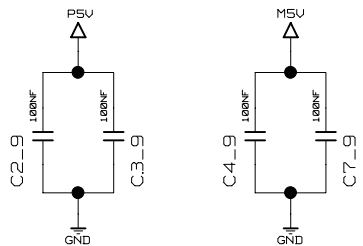
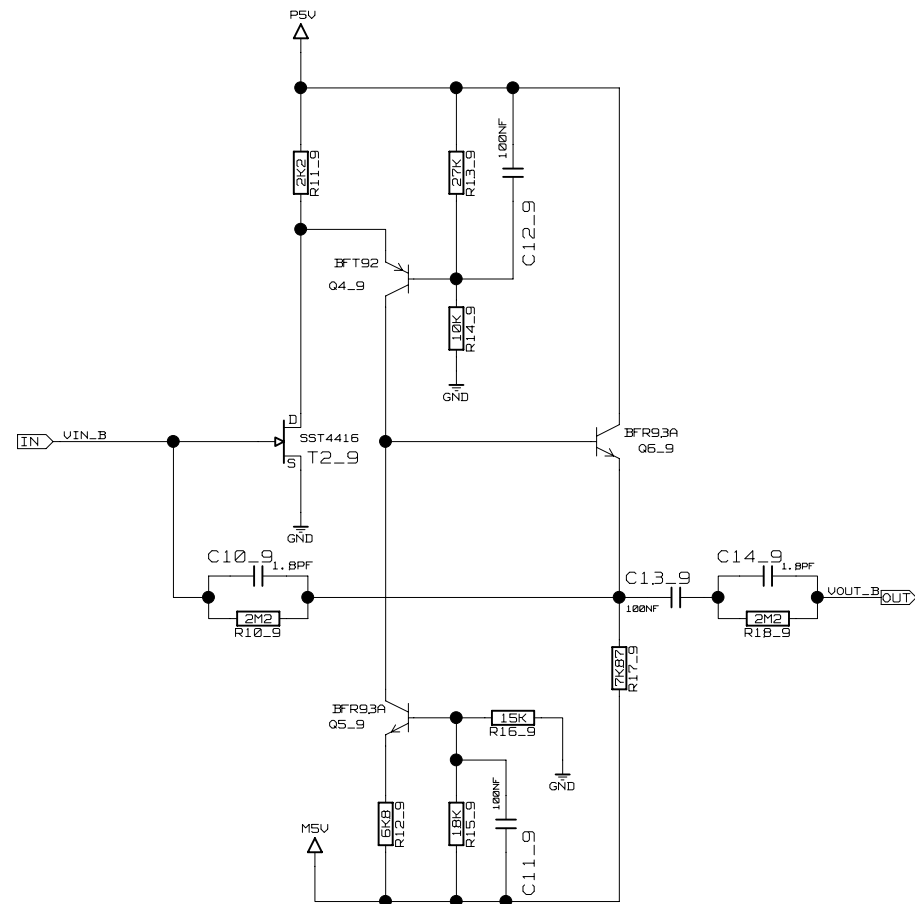
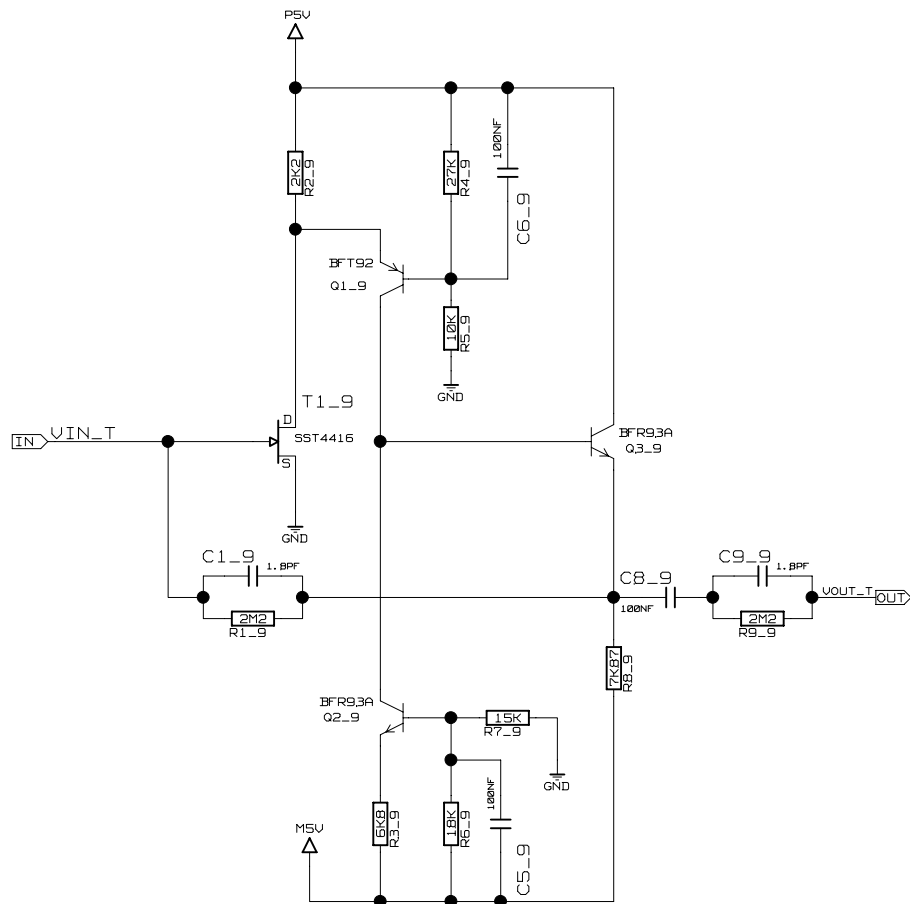
DRAWING

EDMS REF: X	VERSION: X	PCB: X	SYSTEM: X
REF:50024012		TITLE: CHANNEL	
 IT/CE	DIV.EPH_LEP_DTA	ABBREU: CH	PAGE:
	1211 GENEVA 23	LAST_MODIFIED=Fri Jun 17 11:26:35 2005	
	SWITZERLAND	DESSIN: A. JUNIQUE	ETUDE:C.ENGSTER




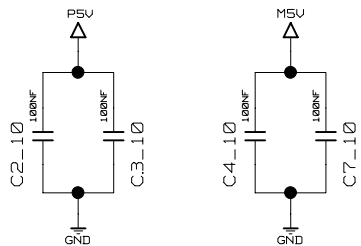
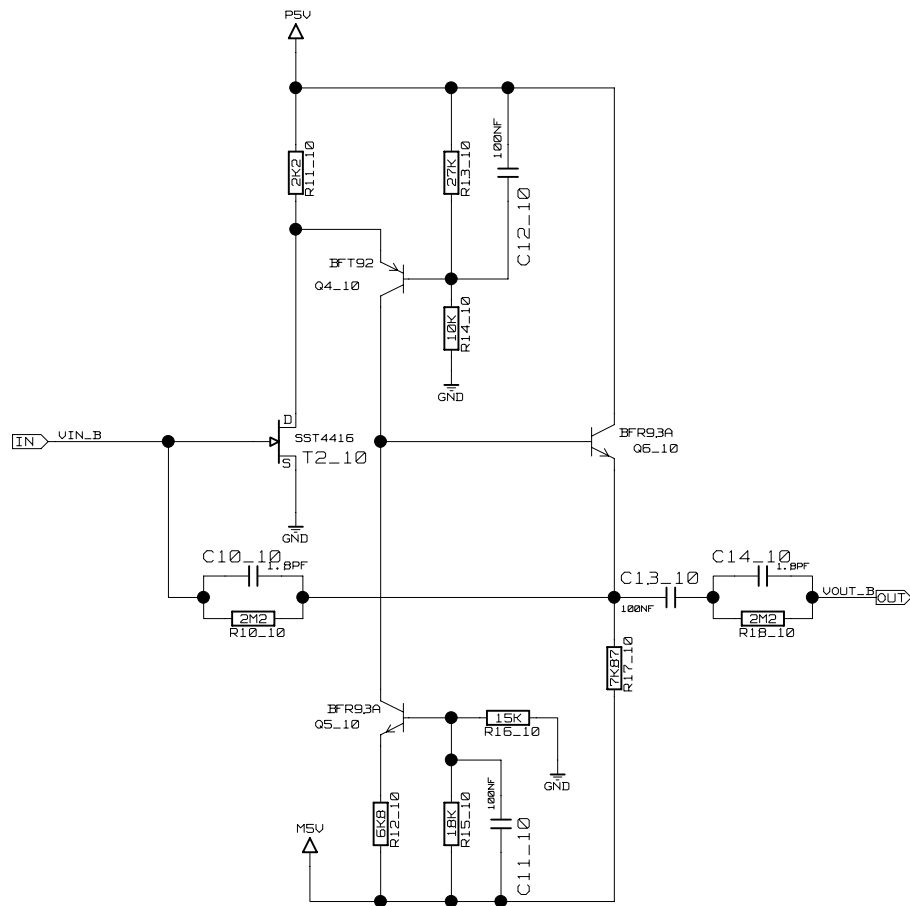
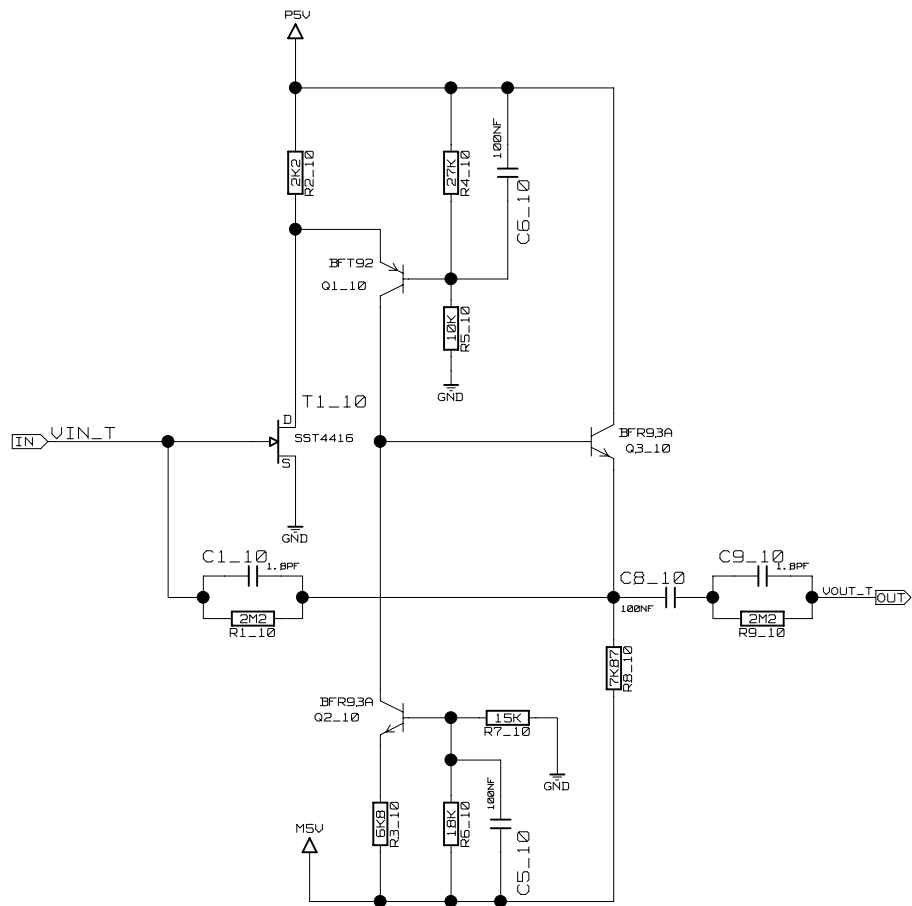
DRAWING

EDMS REF: X	VERSION: X	PCB: X	SYSTEM: X
REF:50024012		TITLE: CHANNEL	
 IT/CE	DIV.EPH_LEP_DTA	ABBREU: CH	PAGE:
	1211 GENEVA 23	LAST_MODIFIED=Fri Jun 17 11:26:35 2005	
	SWITZERLAND	DESSIN: A. JUNIQUE	ETUDE:C.ENGSTER

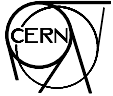


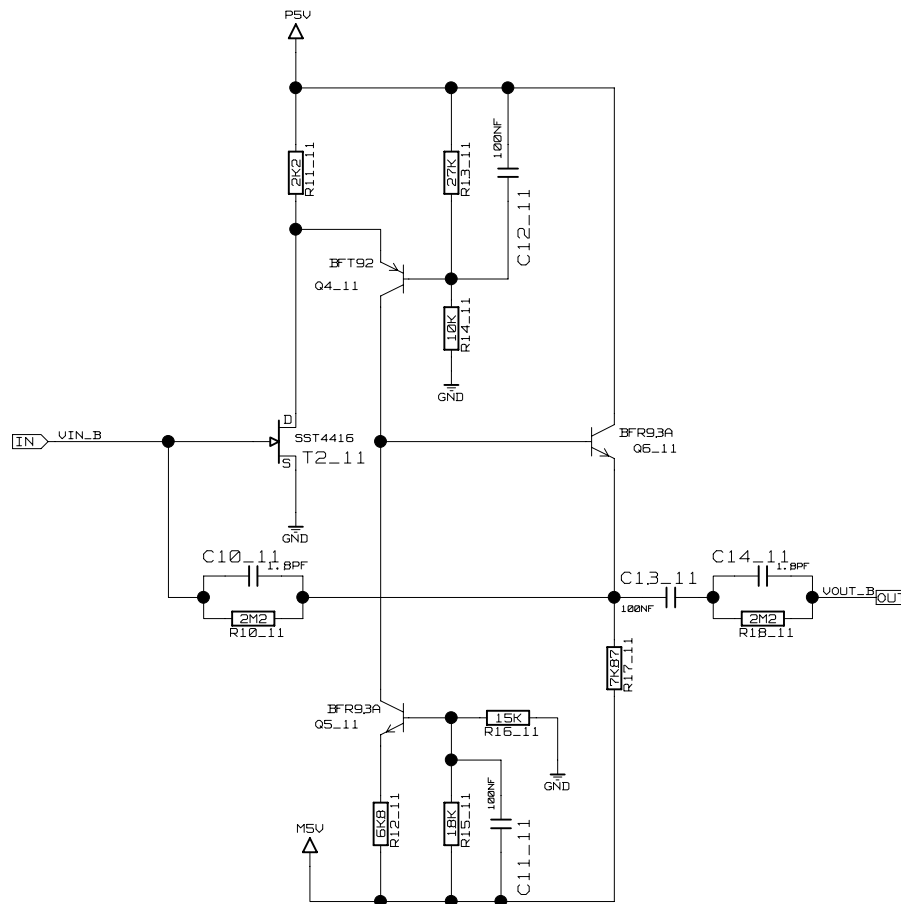
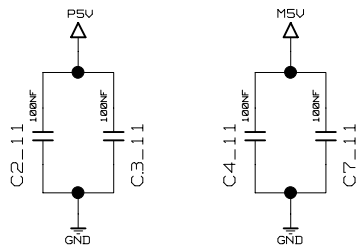
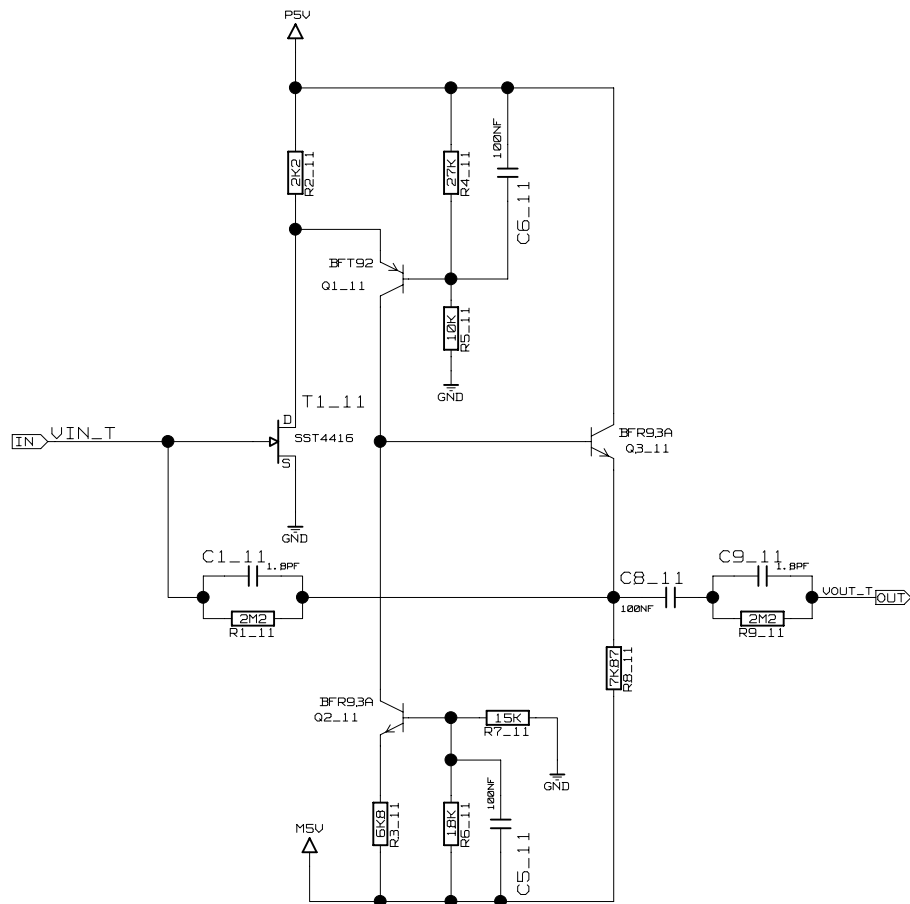
DRAWING

EDMS REF: X	VERSION: X	PCB: X	SYSTEM: X
REF:50024012		TITLE: CHANNEL	
 IT/CE	DIV.EPH_LEP_DTA	ABBREU: CH	PAGE:
	1211 GENEVA 23	LAST_MODIFIED=Fri Jun 17 11:26:35 2005	
	SWITZERLAND	DESSIN: A. JUNIQUE	ETUDE:C. ENGSTER




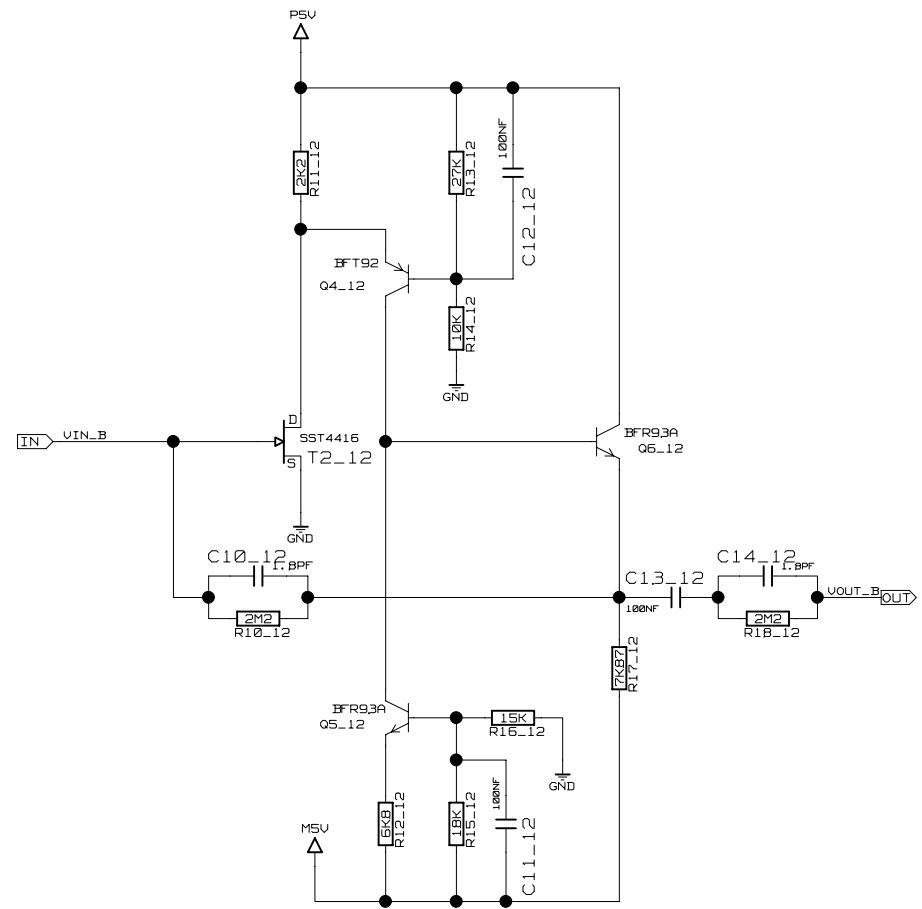
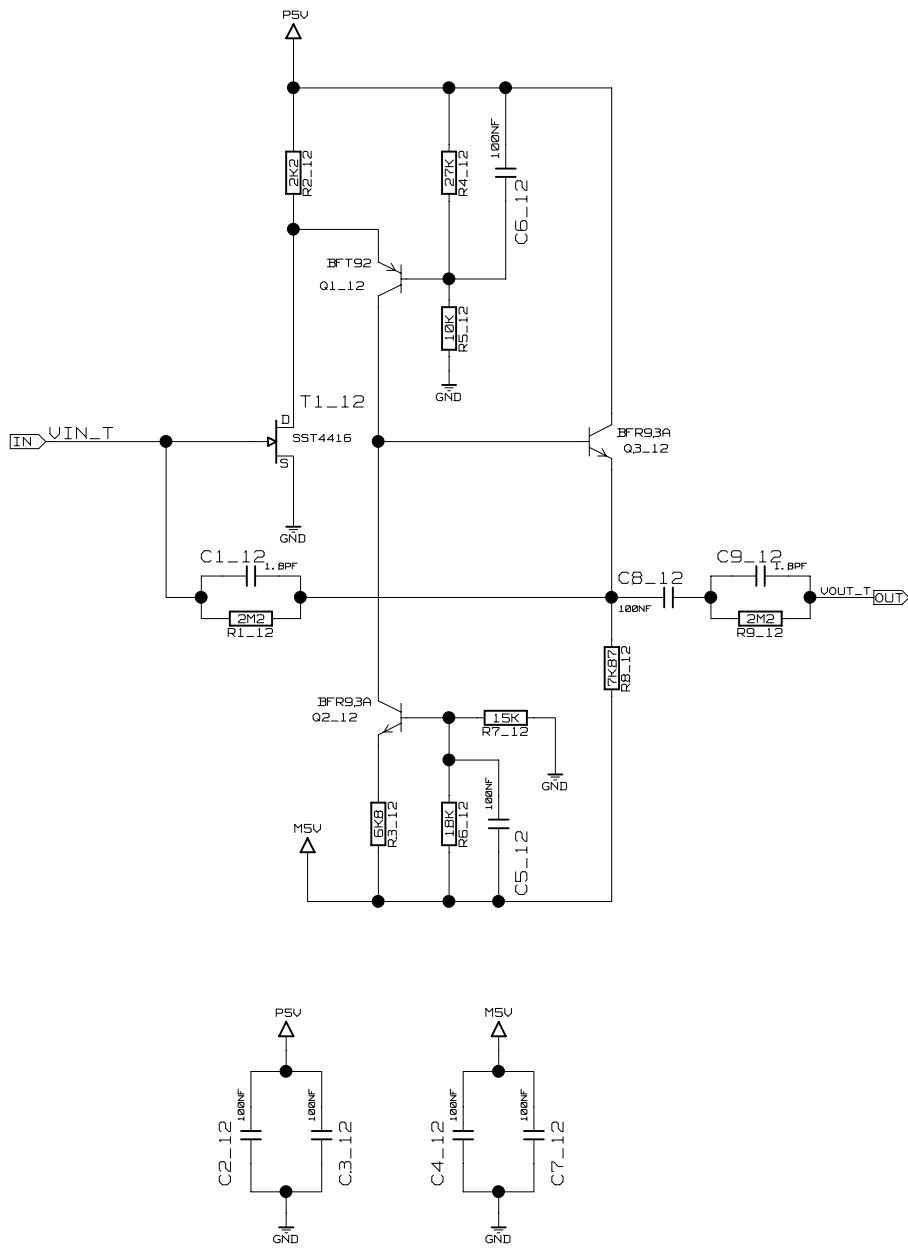
DRAWING

EDMS REF: X	VERSION: X	PCB: X	SYSTEM: X
REF:50024012		TITLE: CHANNEL	
 IT/CE	DIV.EPH_LEP_DTA	ABBREU: CH	PAGE:
	1211 GENEVA 23	LAST_MODIFIED=Fri Jun 17 11:26:35 2005	
	SWITZERLAND	DESSIN: A. JUNIQUE	ETUDE:C. ENGSTER
		DATE: 21/04/05	

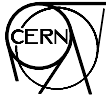


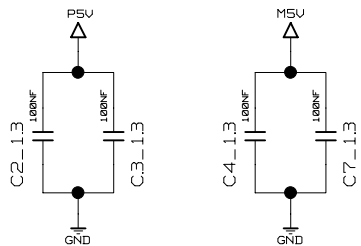
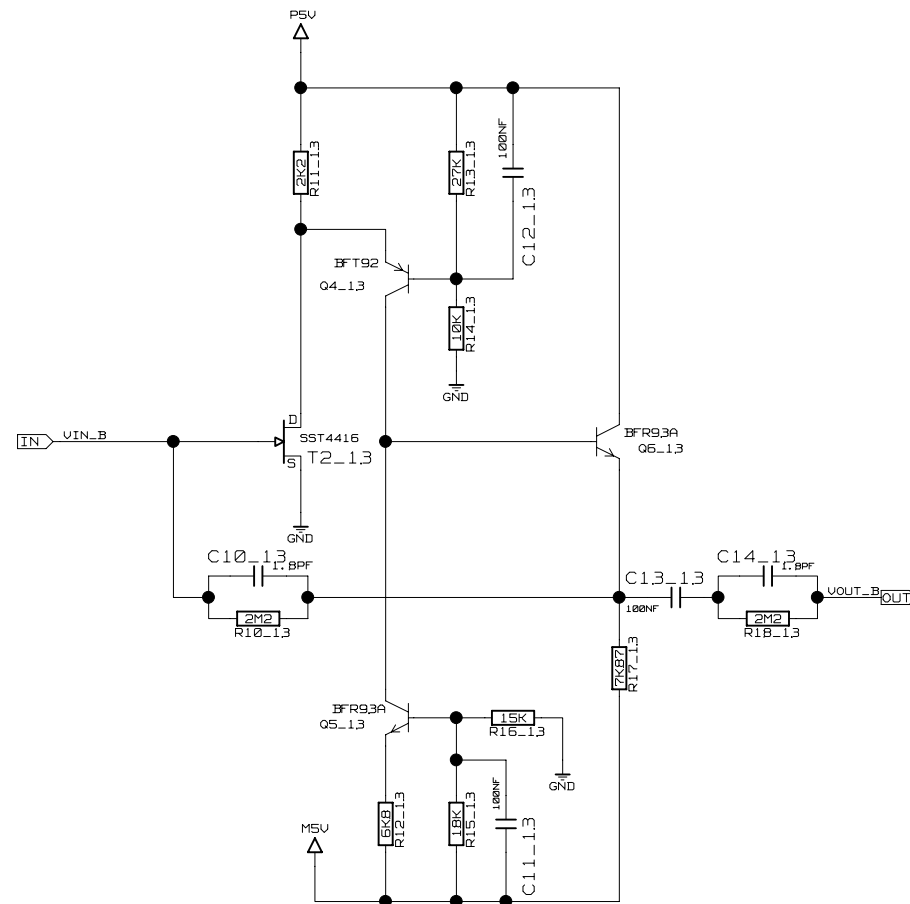
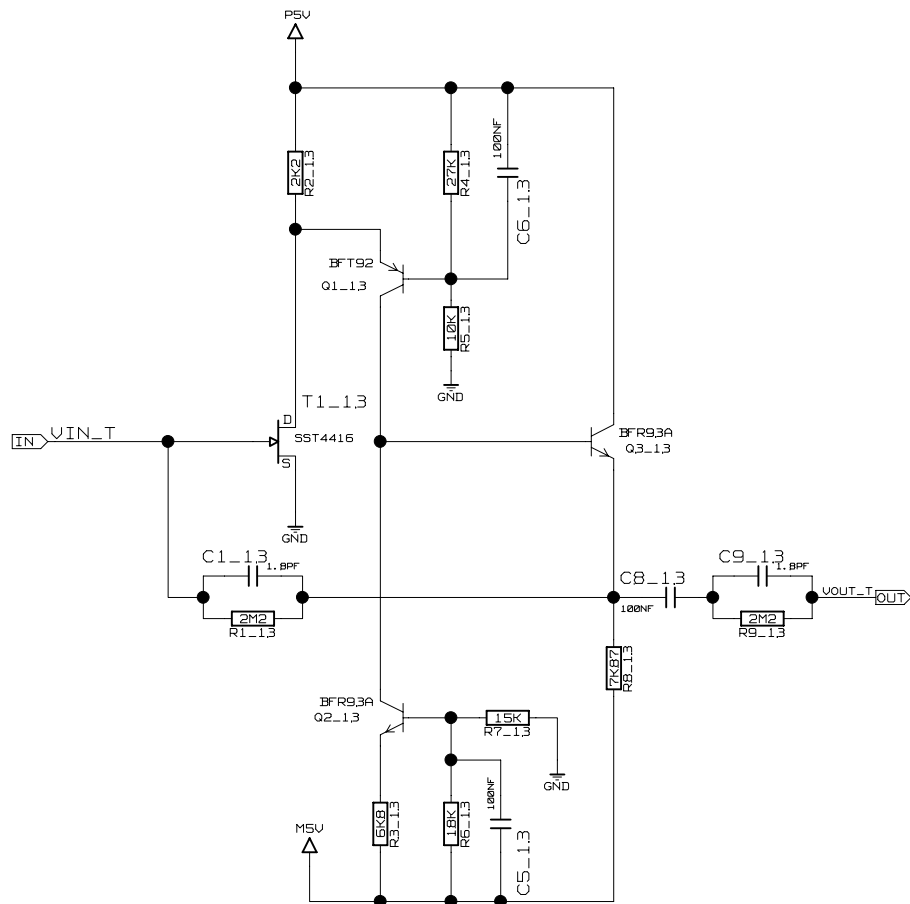
DRAWING

EDMS REF: X	VERSION: X	PCB: X	SYSTEM: X
REF:50024012		TITLE: CHANNEL	
 IT/CE	DIV.EPH_LEP_DTA	ABBREV: CH	PAGE:
	1211 GENEVA 23	LAST_MODIFIED=Fri Jun 17 11:26:35 2005	
	SWITZERLAND	DESSIN: A. JUNIQUE	ETUDE:C.ENGSTER
		DATE:21/04/05	




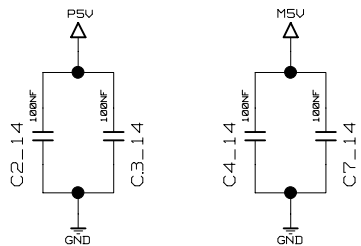
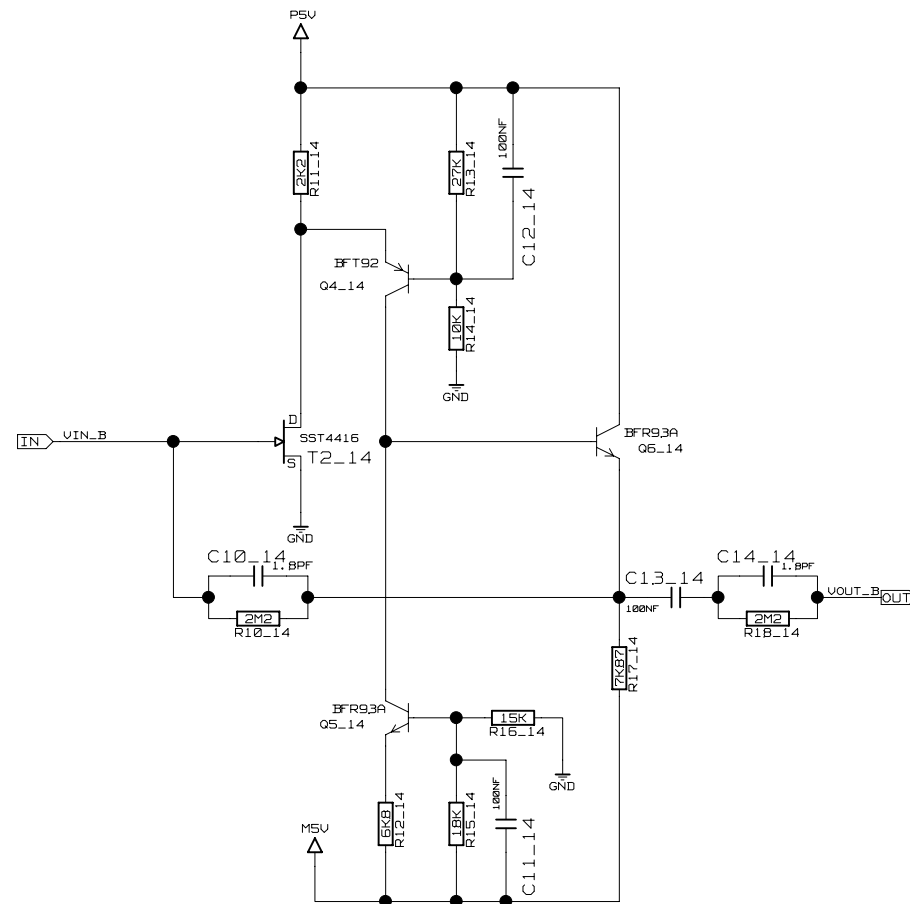
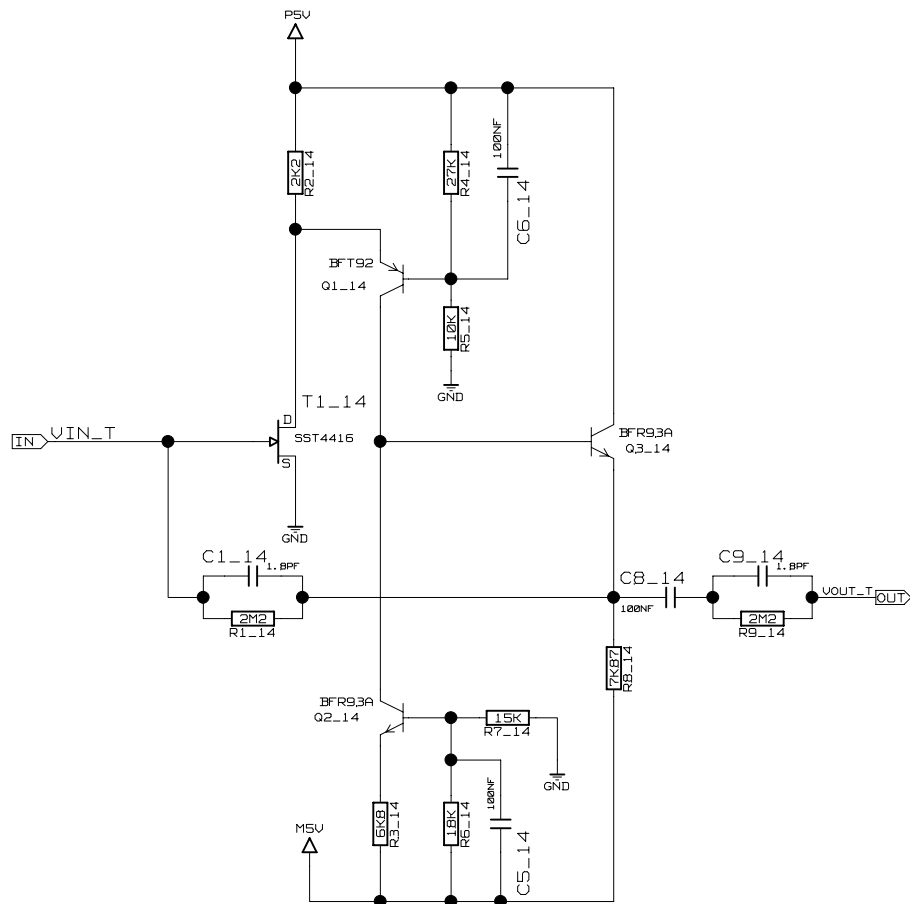
DRAWING

EDMS REF: X	VERSION: X	PCB: X	SYSTEM: X
REF:50024012		TITLE: CHANNEL	
 IT/CE	DIV.EPH_LEP_DTA	ABBREU: CH	PAGE:
	1211 GENEVA 23	LAST_MODIFIED=Fri Jun 17 11:26:35 2005	
	SWITZERLAND	DESSIN: A. JUNIQUE	ETUDE:C. ENGSTER




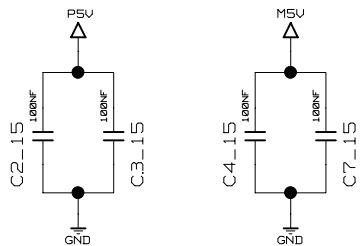
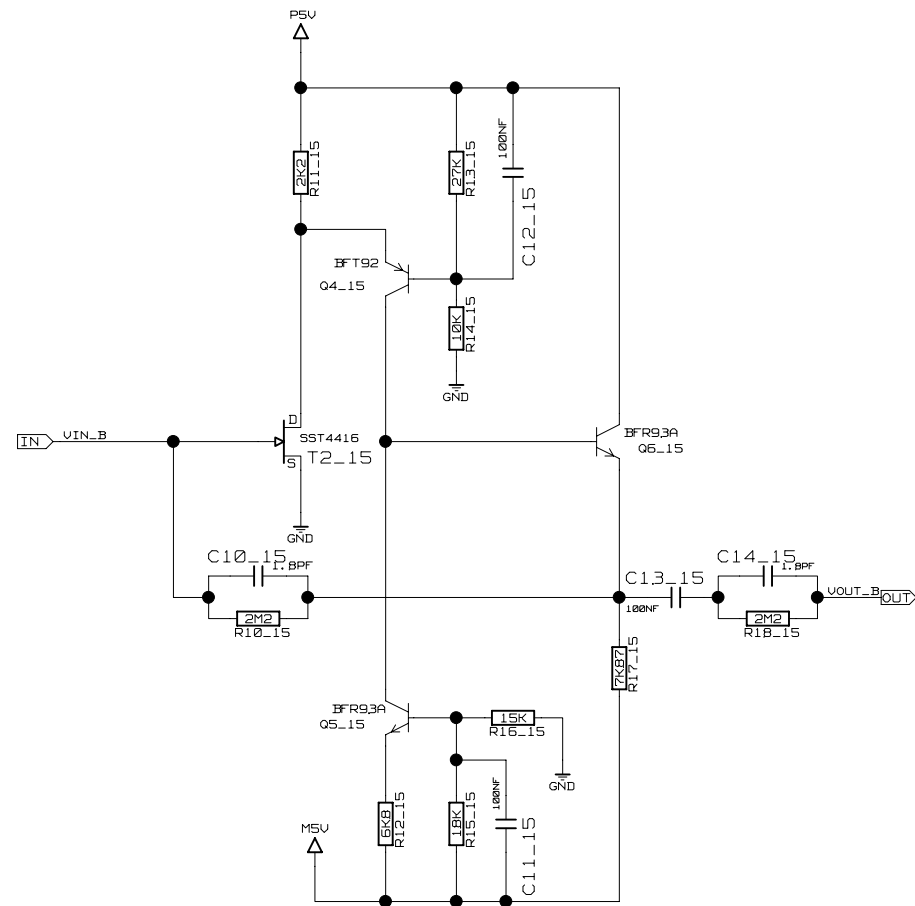
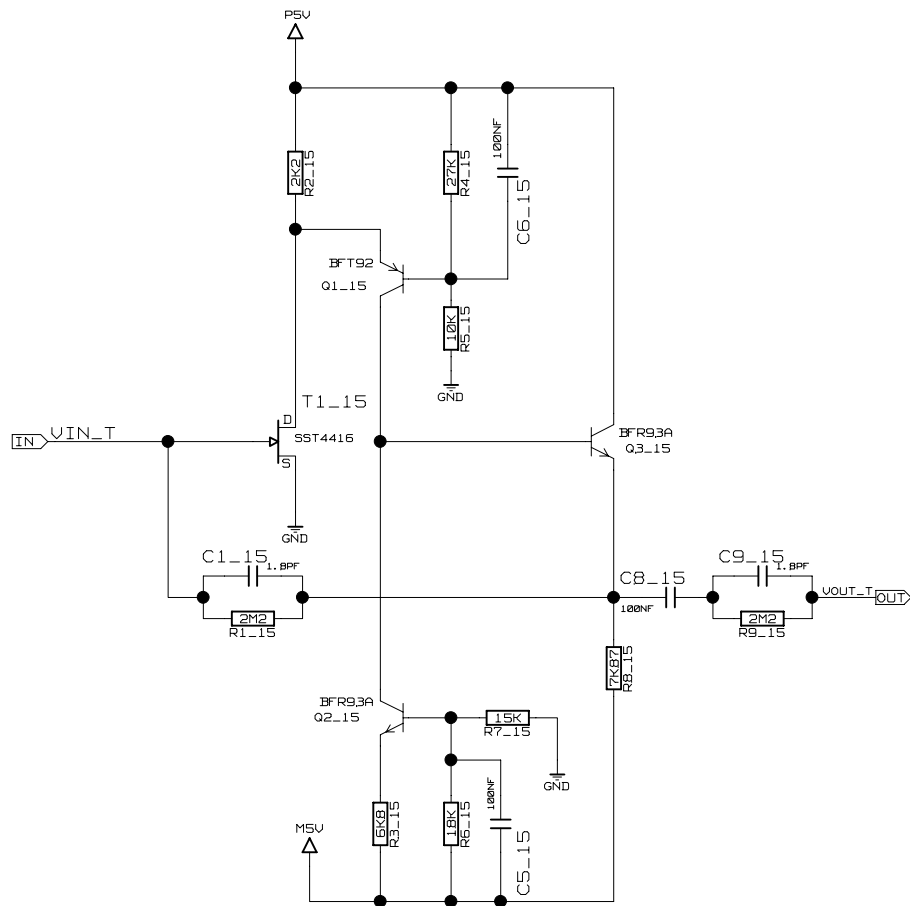
DRAWING

EDMS REF: X	VERSION: X	PCB: X	SYSTEM: X
REF:50024012		TITLE: CHANNEL	
 IT/CE	DIV.EPH_LEP_DTA	ABBREV: CH	PAGE:
	1211 GENEVA 23	LAST_MODIFIED=Fri Jun 17 11:26:35 2005	
	SWITZERLAND	DESSIN: A. JUNIQUE	ETUDE:C.ENGSTER

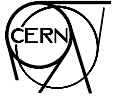


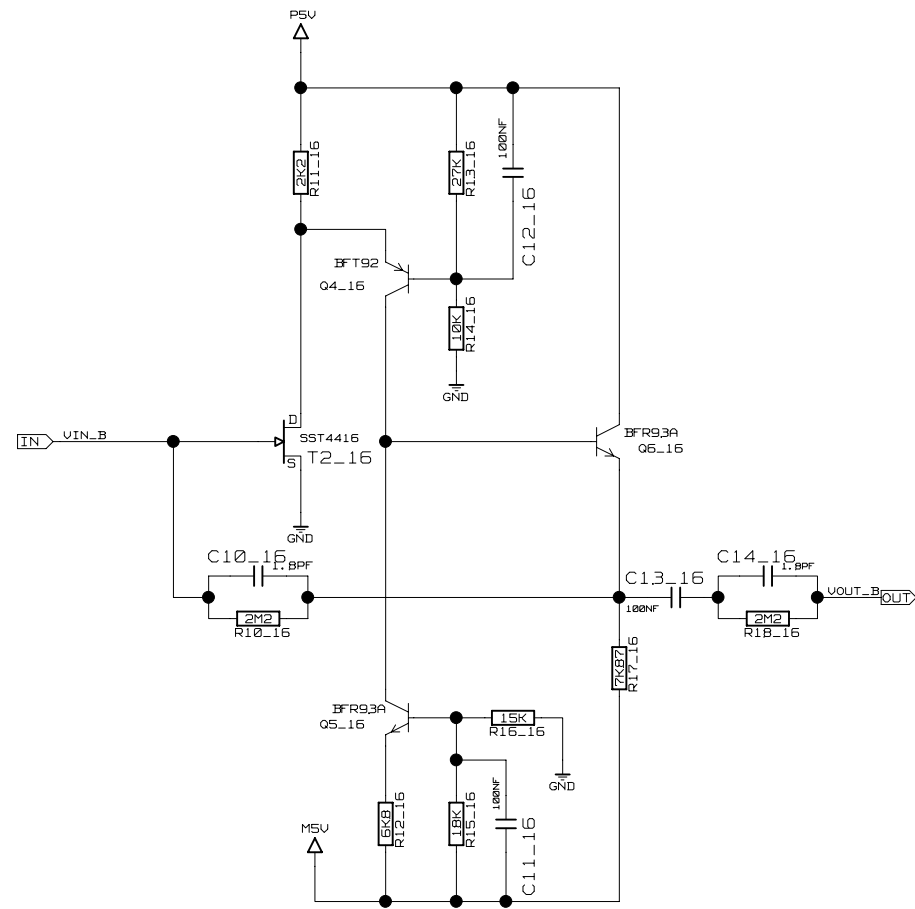
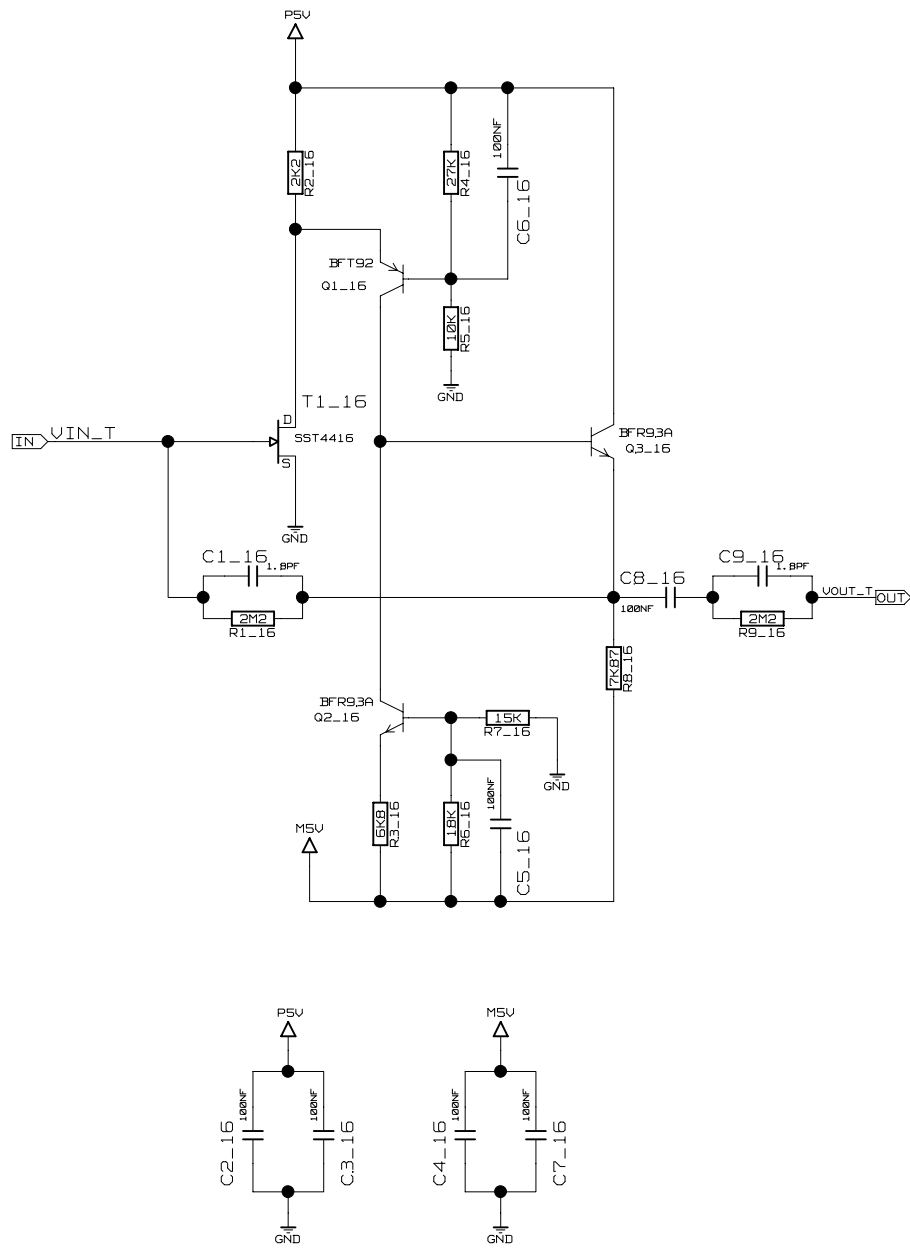
DRAWING

EDMS REF: X	VERSION: X	PCB: X	SYSTEM: X
REF:50024012		TITLE: CHANNEL	
 IT/CE	DIV.EPH_EP_DTA	ABBREU: CH	PAGE:
	1211 GENEVA 23	LAST_MODIFIED=Fri Jun 17 11:26:35 2005	
	SWITZERLAND	DESSIN: A. JUNIQUE	ETUDE:C.ENGSTER

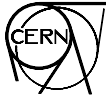


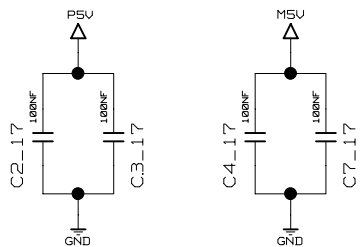
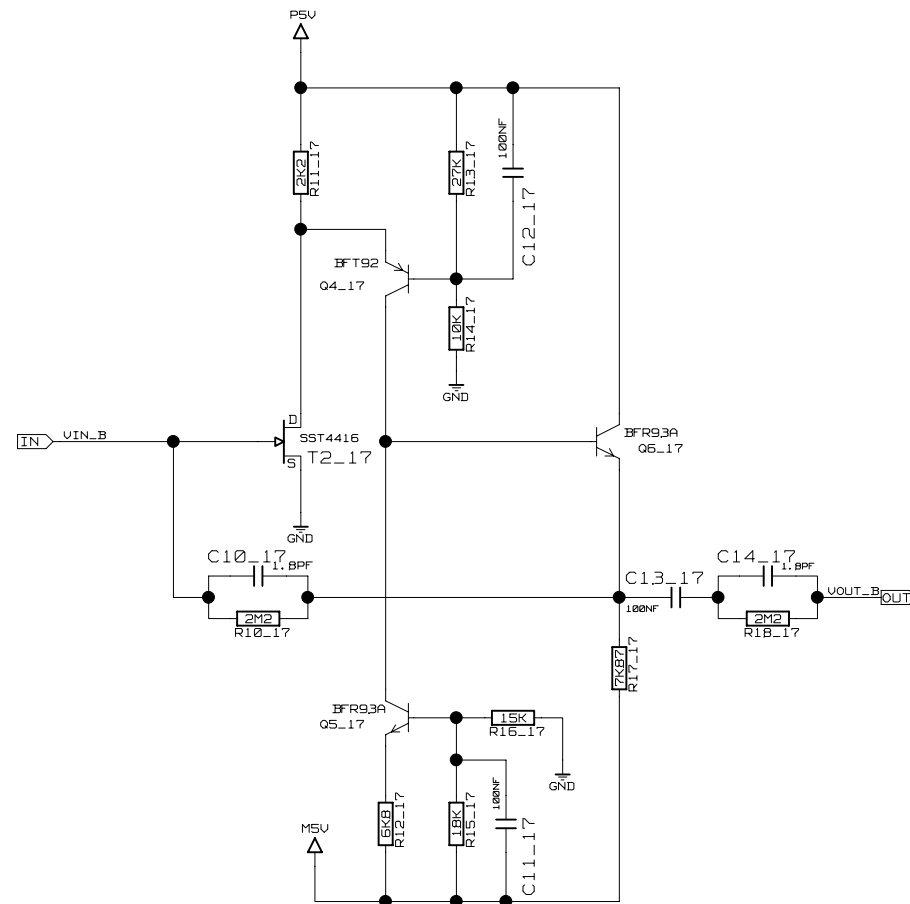
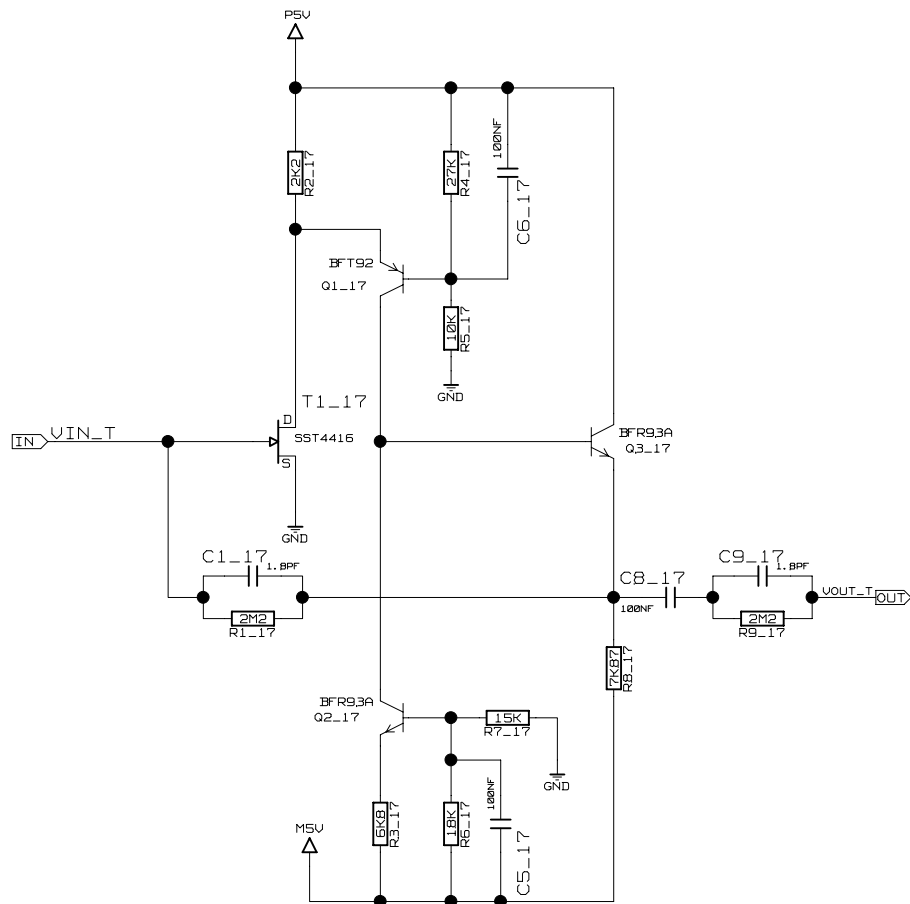
DRAWING

EDMS REF: X	VERSION: X	PCB: X	SYSTEM: X
REF:50024012		TITLE: CHANNEL	
 IT/CE	DIV.EPH_LEP_DTA	ABBREU: CH	PAGE:
	1211 GENEVA 23	LAST_MODIFIED=Fri Jun 17 11:26:35 2005	
	SWITZERLAND	DESSIN: A. JUNIQUE	ETUDE:C.ENGSTER




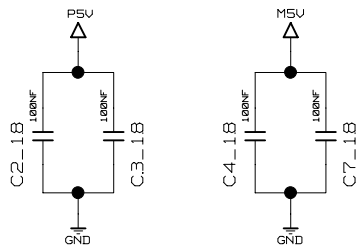
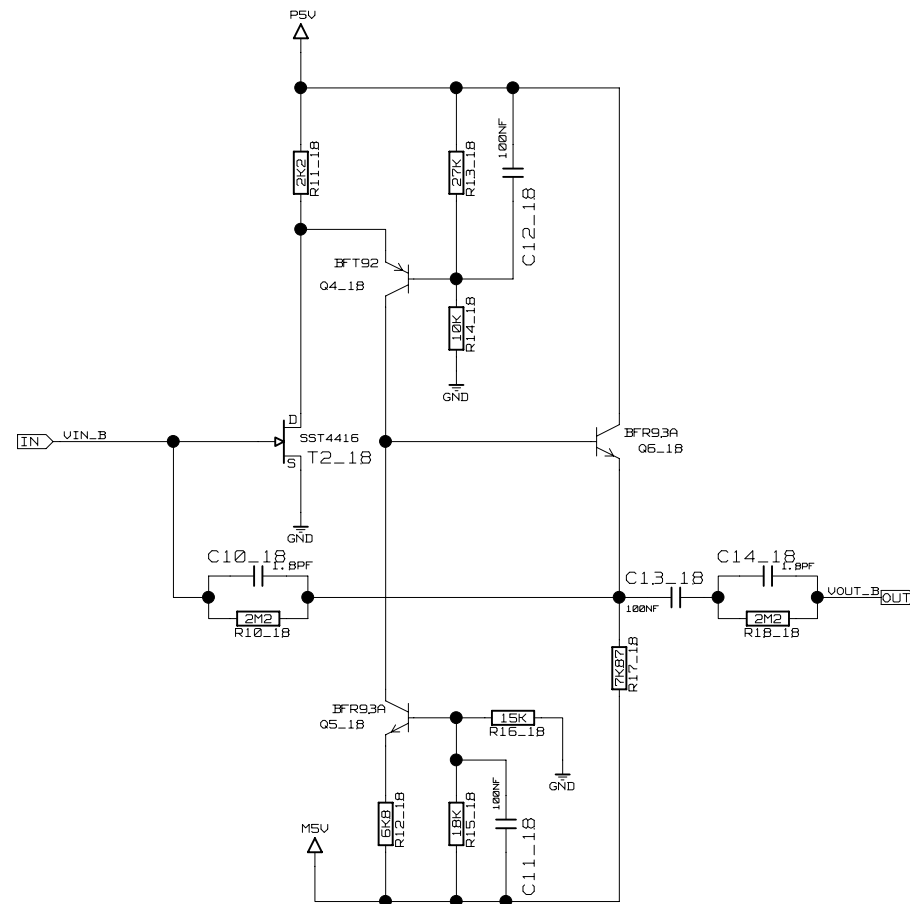
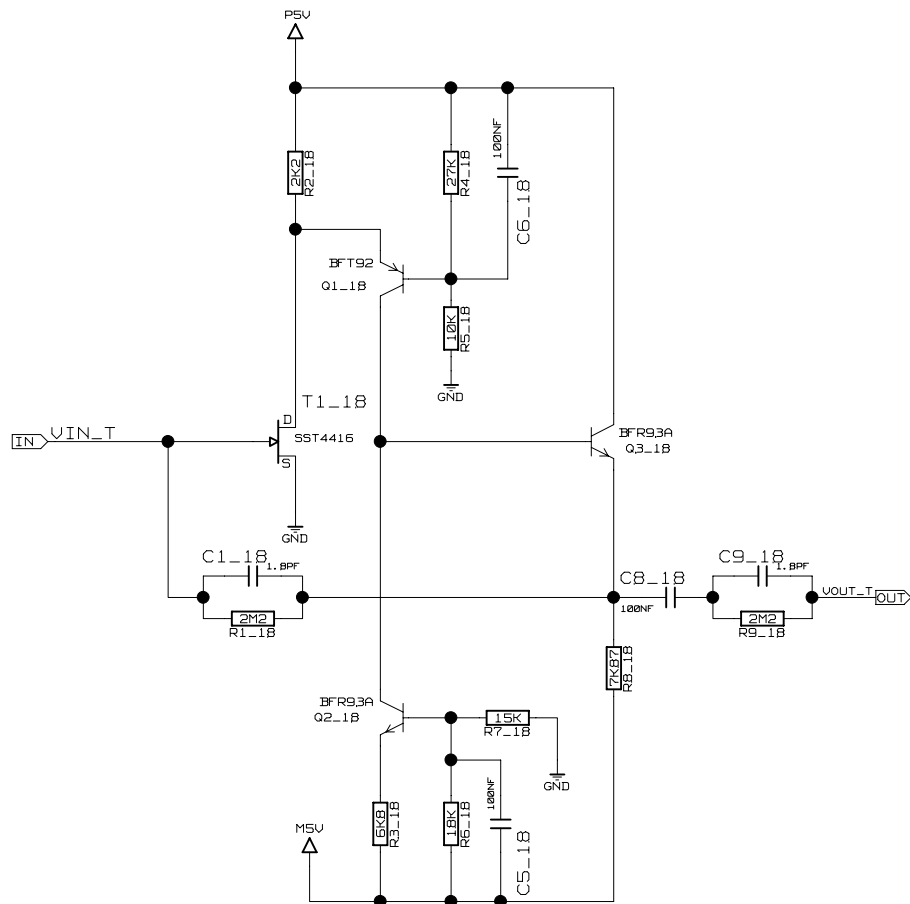
DRAWING

EDMS REF: X	VERSION: X	PCB: X	SYSTEM: X
REF:50024012		TITLE: CHANNEL	
 IT/CE	DIV.EPH_LEP_DTA	ABBREU: CH	PAGE:
	1211 GENEVA 23	LAST_MODIFIED=Fri Jun 17 11:26:35 2005	
	SWITZERLAND	DESSIN: A. JUNIQUE	ETUDE:C.ENGSTER

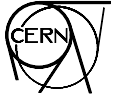


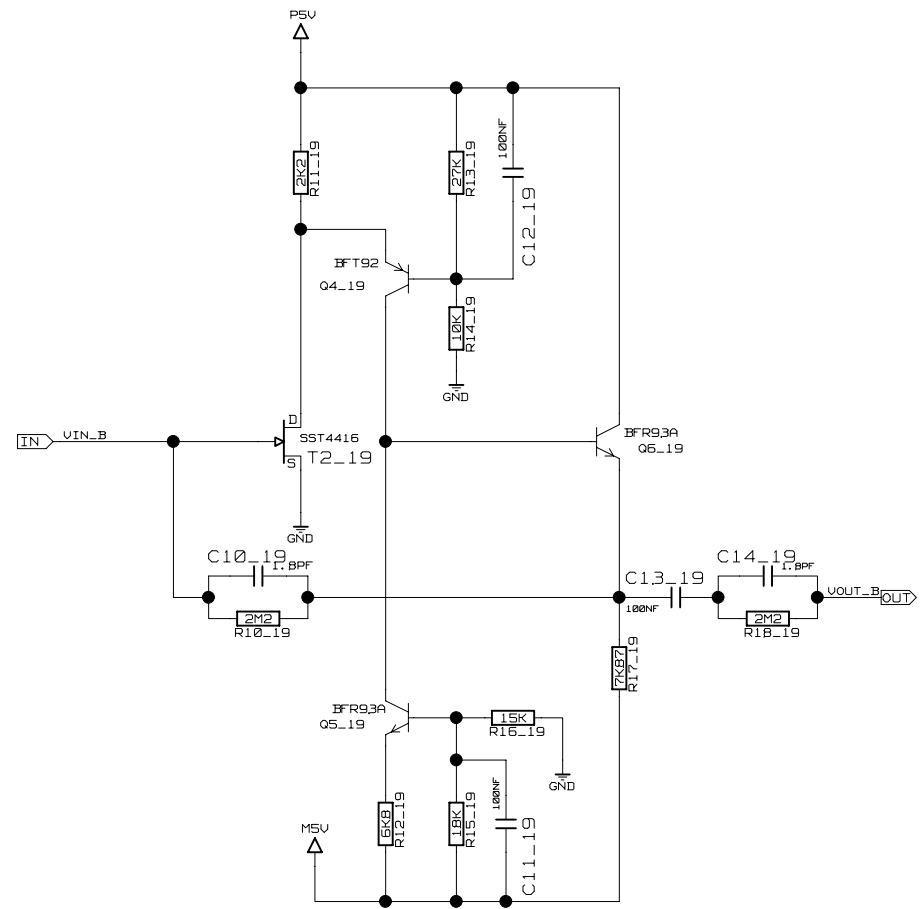
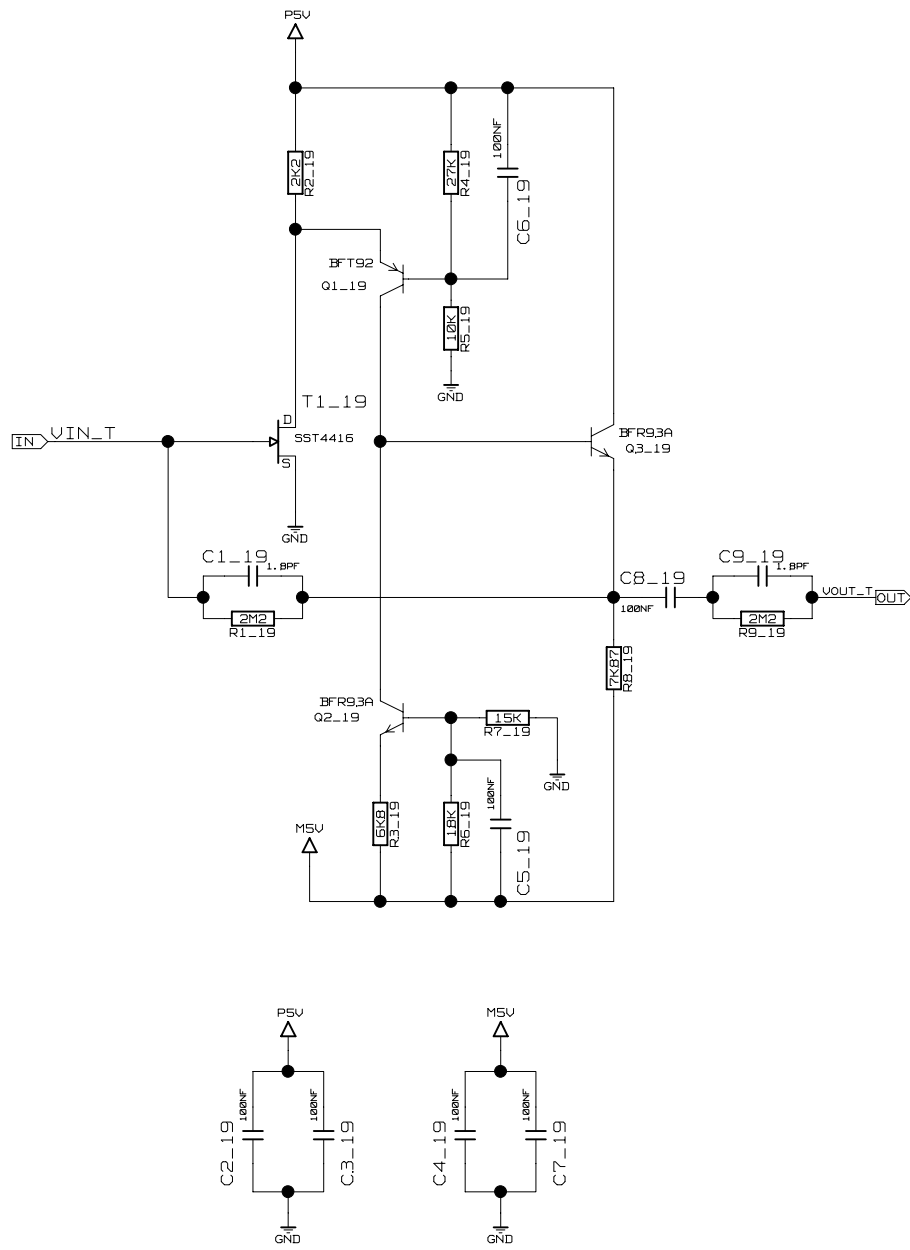
DRAWING

EDMS REF: X	VERSION: X	PCB: X	SYSTEM: X
REF:50024012		TITLE: CHANNEL	
 IT/CE	DIV.EPH_LEP_DTA	ABBREV: CH	PAGE:
	1211 GENEVA 23	LAST_MODIFIED=Fri Jun 17 11:26:35 2005	
	SWITZERLAND	DESSIN: A. JUNIQUE	ETUDE:C.ENGSTER
		DATE: 21/04/05	

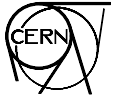


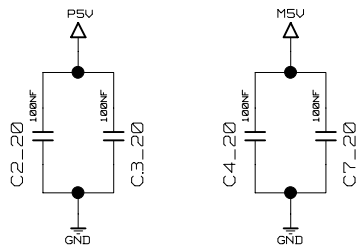
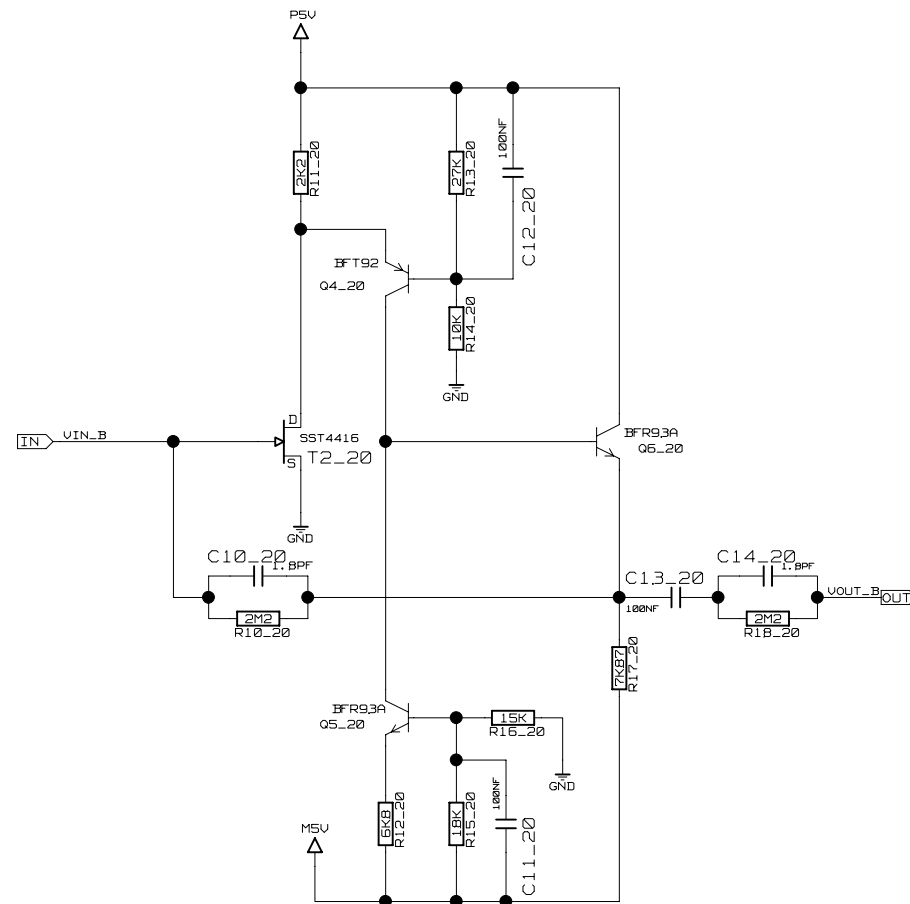
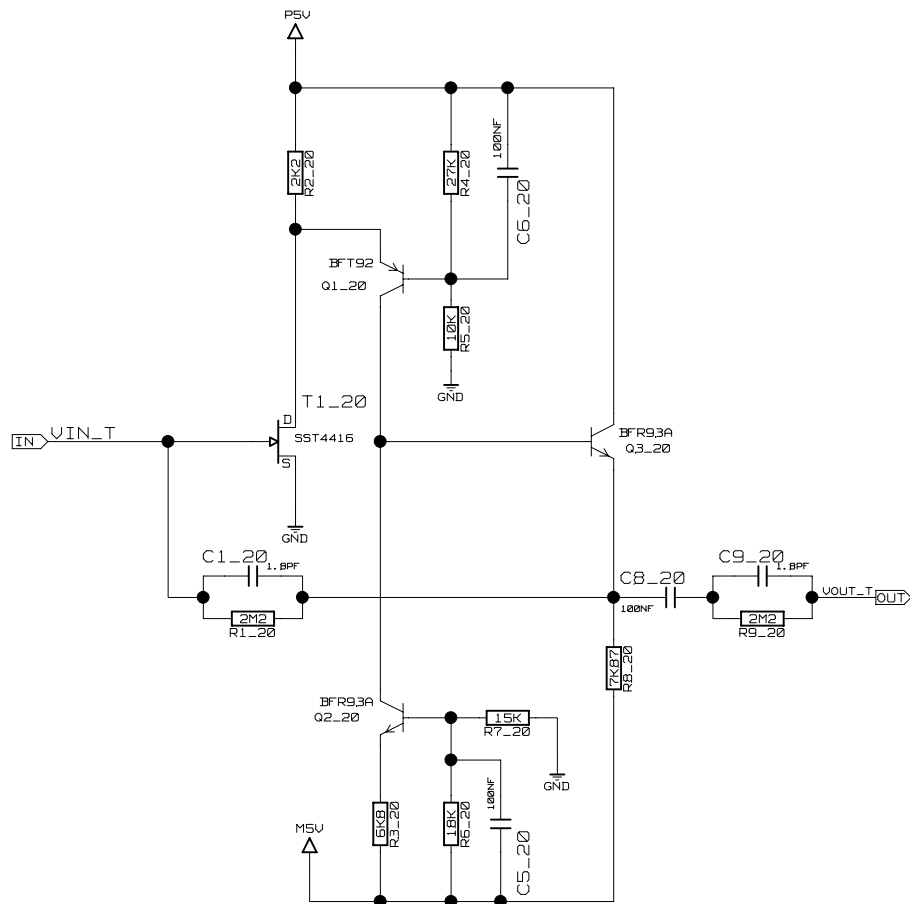
DRAWING

EDMS REF: X	VERSION: X	PCB: X	SYSTEM: X
REF:50024012		TITLE: CHANNEL	
 IT/CE	DIV.EPH_EP_DTA	ABBREV: CH	PAGE:
	1211 GENEVA 23	LAST_MODIFIED=Fri Jun 17 11:26:35 2005	
	SWITZERLAND	DESSIN: A. JUNIQUE	ETUDE:C.ENGSTER




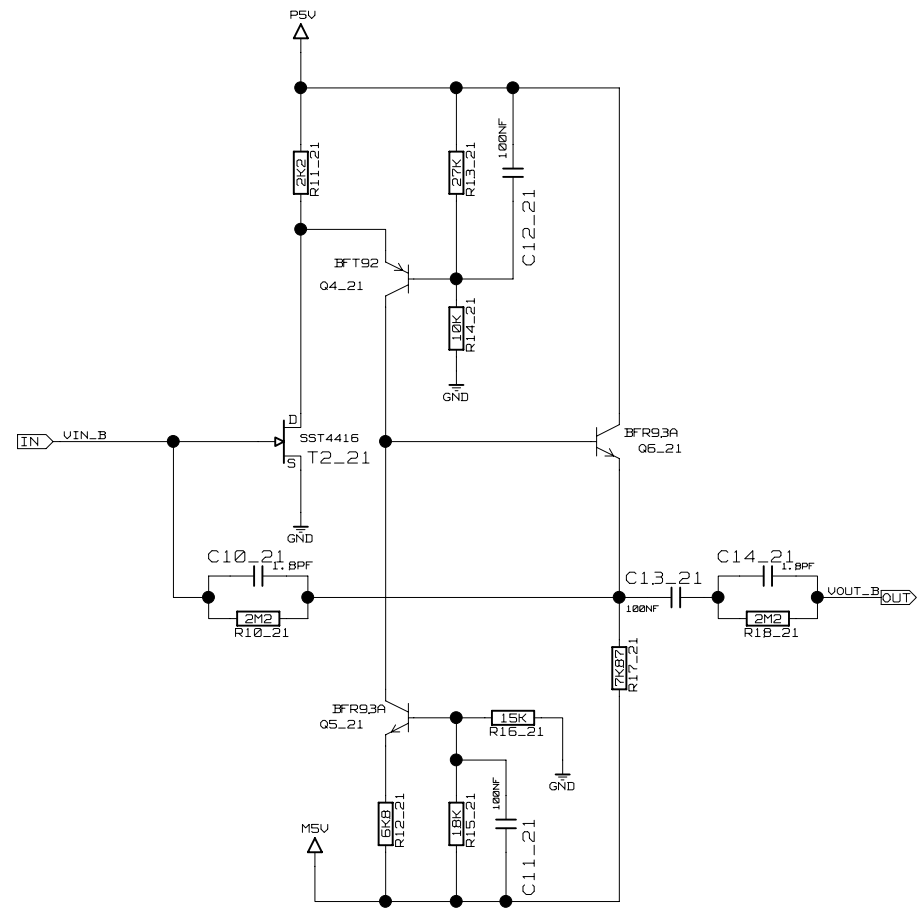
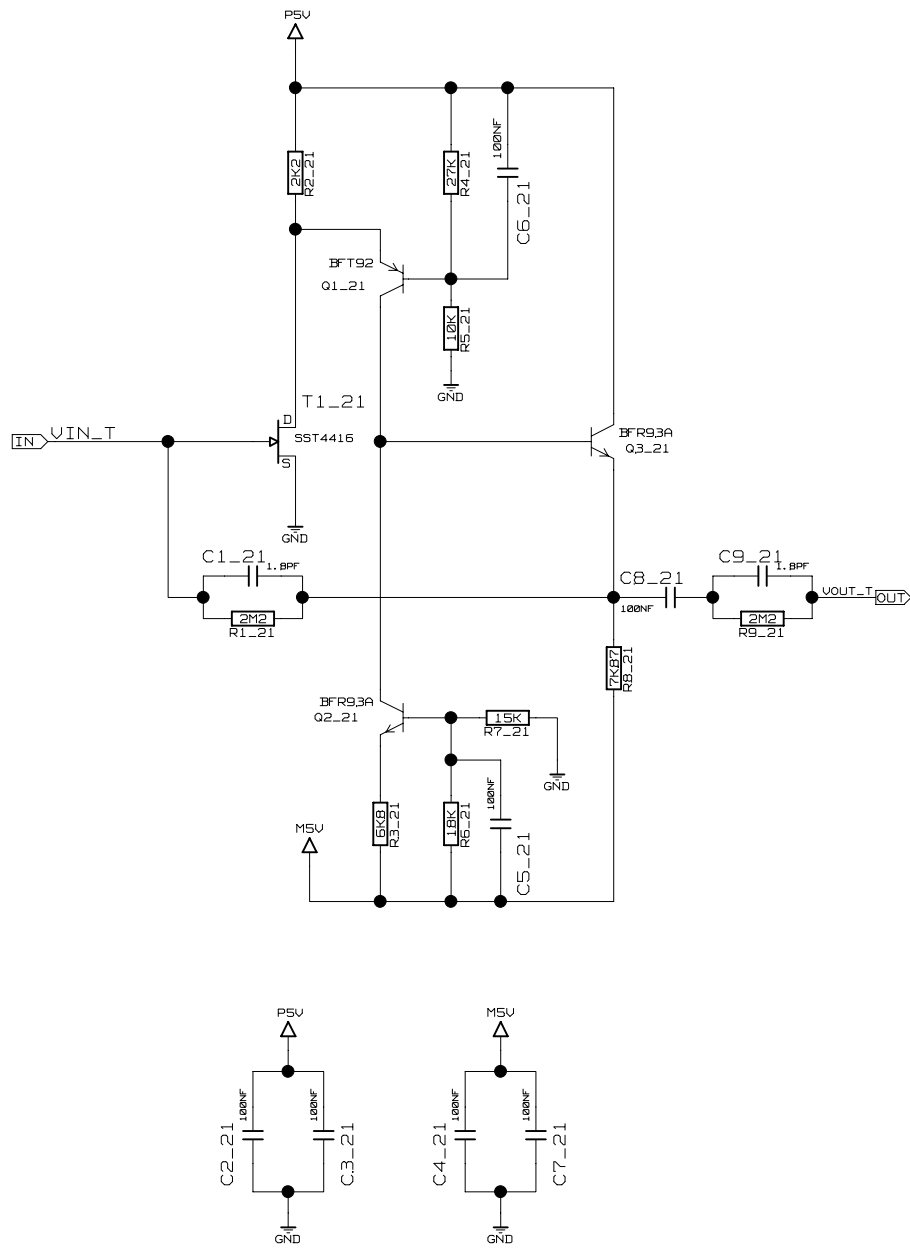
DRAWING

EDMS REF: X	VERSION: X	PCB: X	SYSTEM: X
REF:50024012		TITLE: CHANNEL	
 IT/CE	DIV.EPH_EP_DTA	ABBREU: CH	PAGE:
	1211 GENEVA 23	LAST_MODIFIED=Fri Jun 17 11:26:35 2005	
	SWITZERLAND	DESSIN: A. JUNIQUE	ETUDE:C.ENGSTER

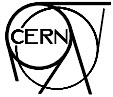


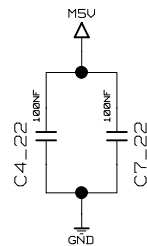
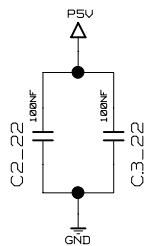
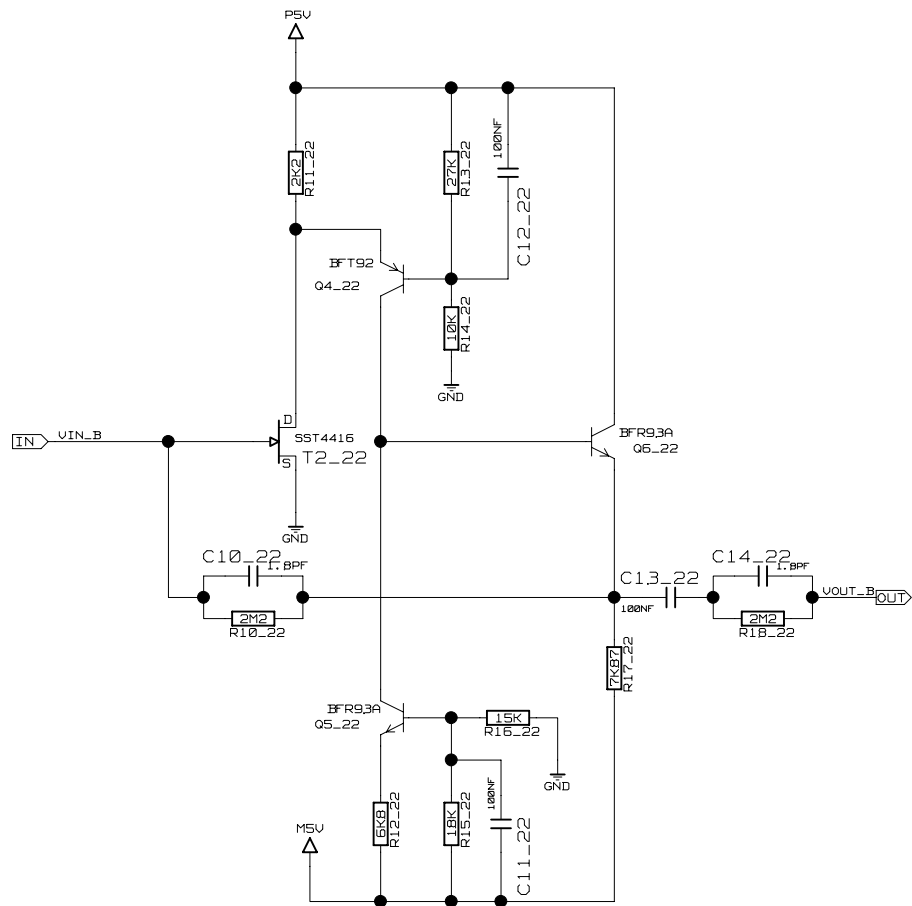
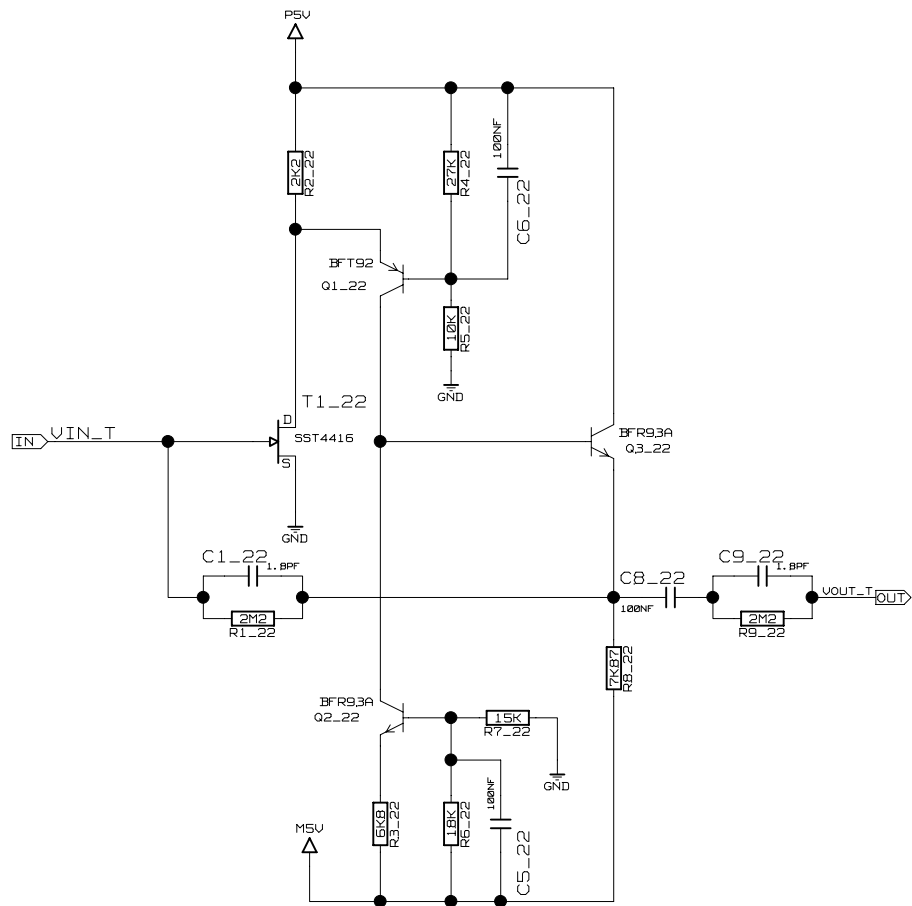
DRAWING

EDMS REF: X	VERSION: X	PCB: X	SYSTEM: X
REF:50024012		TITLE: CHANNEL	
 IT/CE	DIV.EPH_LEP_DTA	ABBREU: CH	PAGE:
	1211 GENEVA 23	LAST_MODIFIED=Fri Jun 17 11:26:35 2005	
	SWITZERLAND	DESSIN: A. JUNIQUE	ETUDE:C.ENGSTER

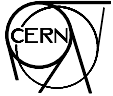


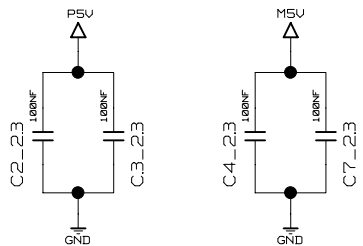
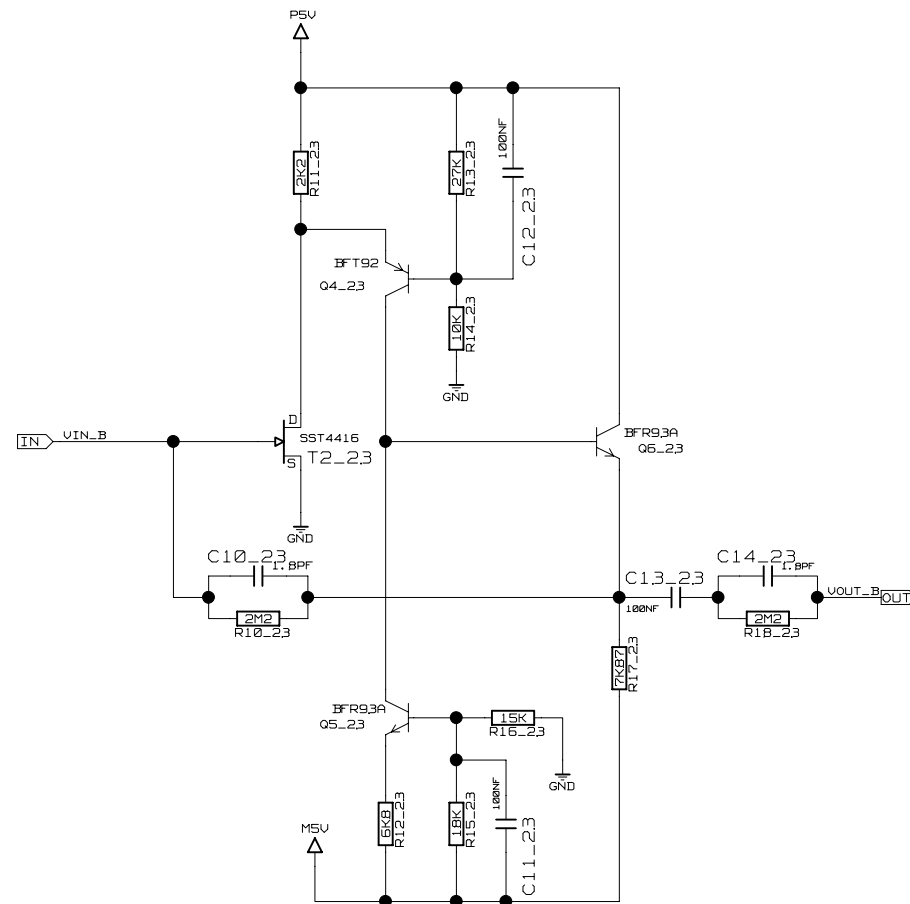
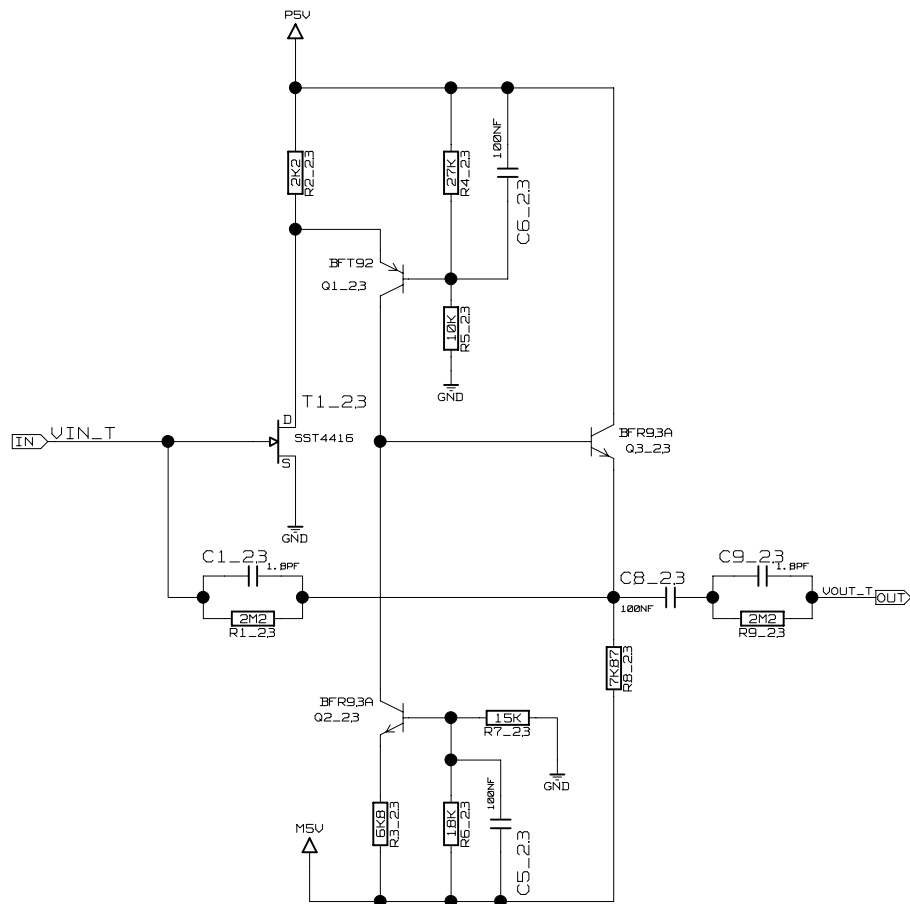
DRAWING

EDMS REF: X	VERSION: X	PCB: X	SYSTEM: X
REF:50024012		TITLE: CHANNEL	
 IT/CE	DIV.EPH_LEP_DTA	ABBREU: CH	PAGE:
	1211 GENEVA 23	LAST_MODIFIED=Fri Jun 17 11:26:35 2005	
	SWITZERLAND	DESSIN: A. JUNIQUE	ETUDE:C.ENGSTER




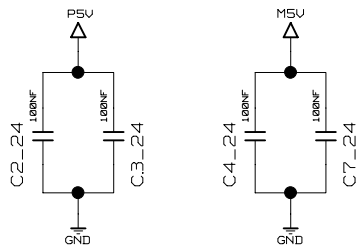
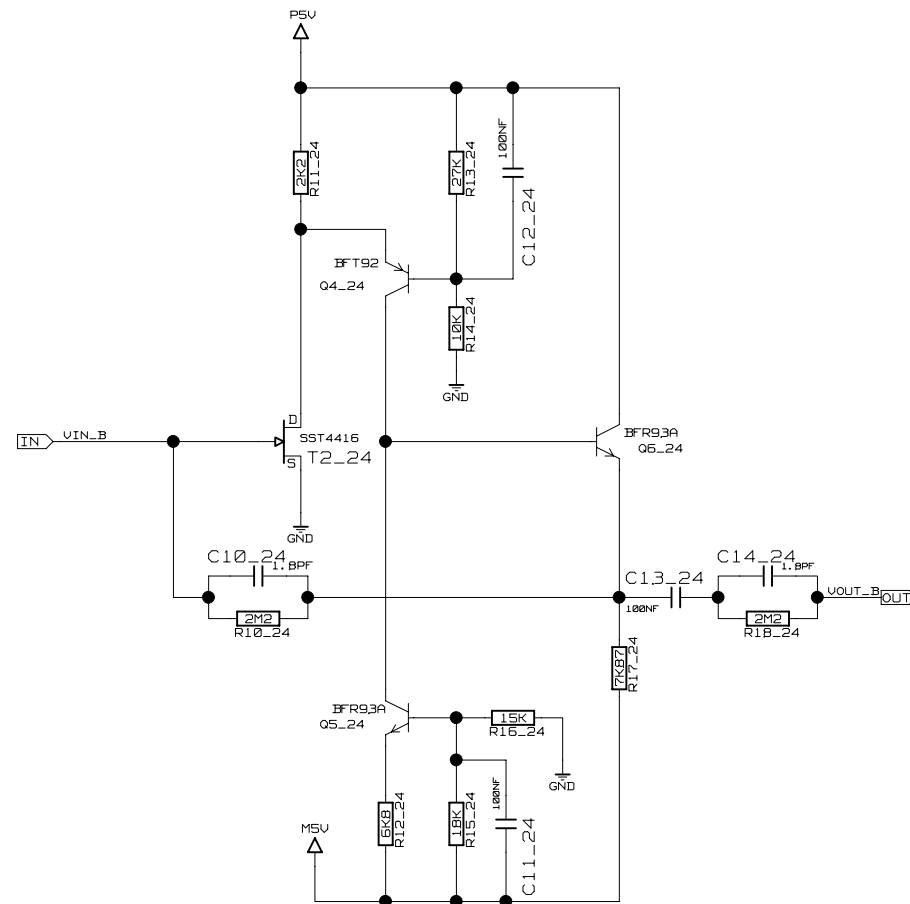
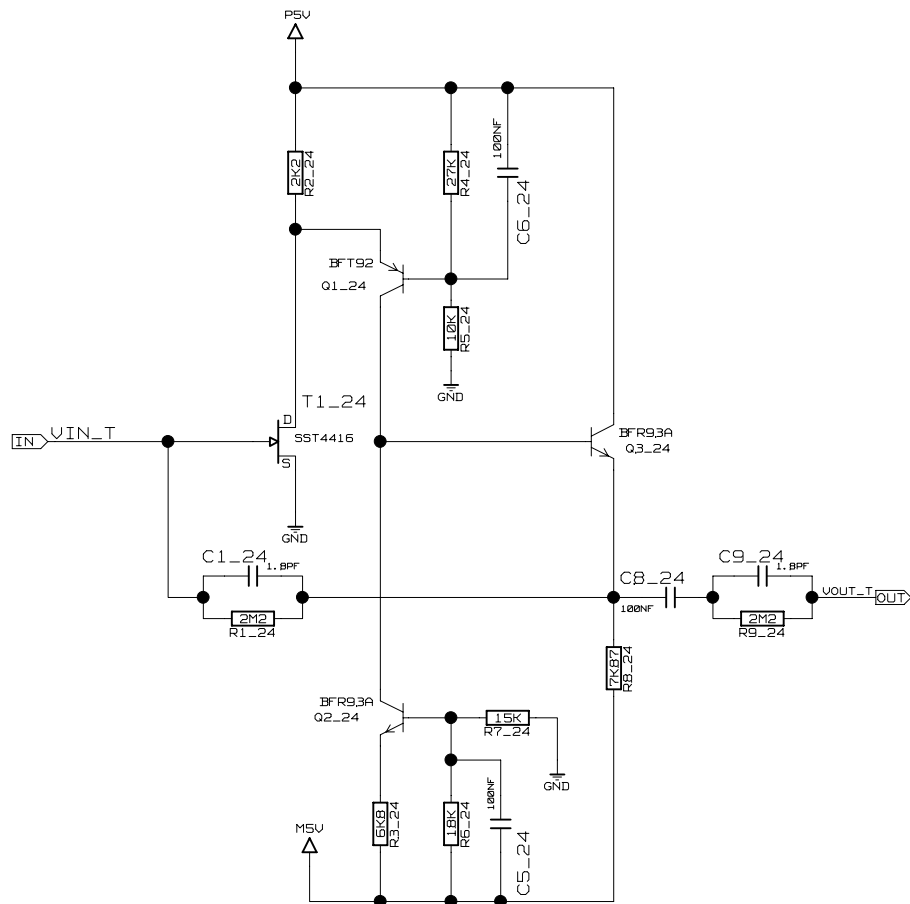
DRAWING

EDMS REF: X	VERSION: X	PCB: X	SYSTEM: X
REF:50024012		TITLE: CHANNEL	
 IT/CE	DIV.EPH_LEP_DTA	ABBREU: CH	PAGE:
	1211 GENEVA 23	LAST_MODIFIED=Fri Jun 17 11:26:35 2005	
	SWITZERLAND	DESSIN: A. JUNIQUE	ETUDE:C.ENGSTER




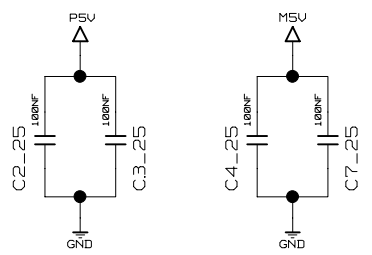
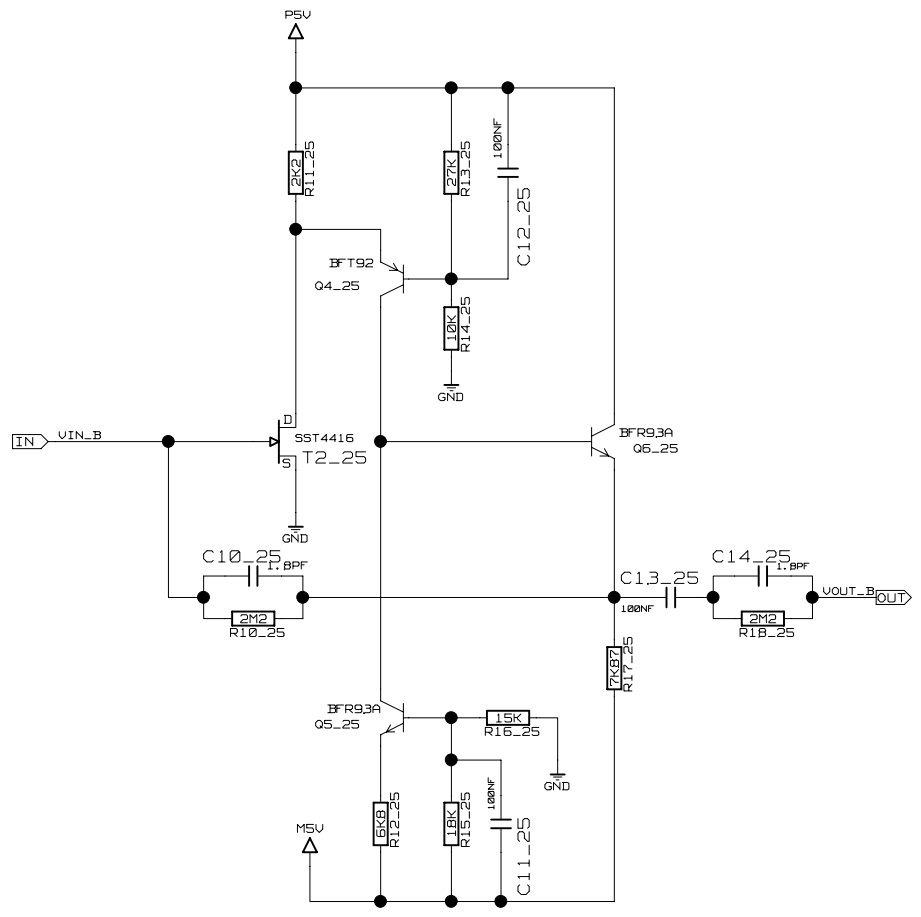
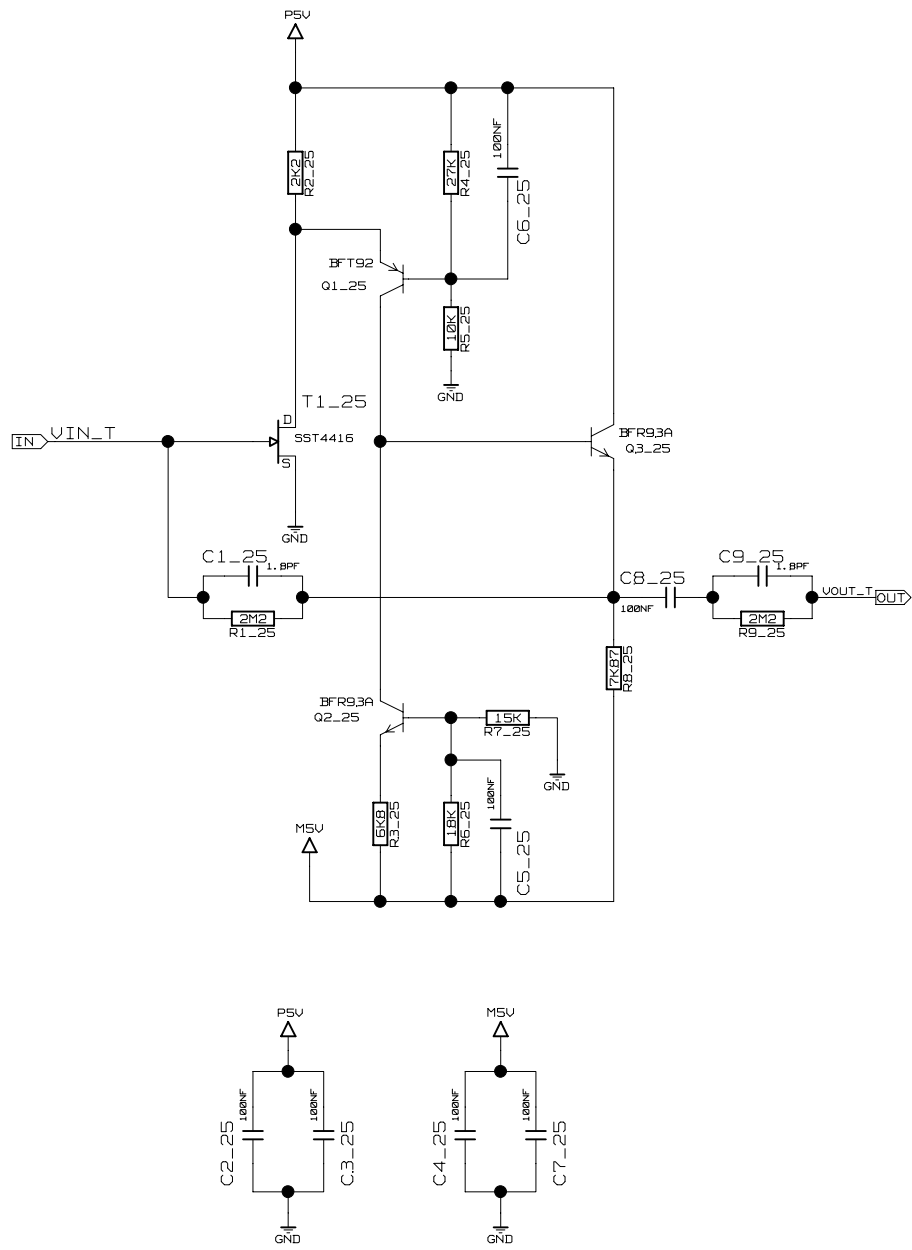
DRAWING

EDMS REF: X	VERSION: X	PCB: X	SYSTEM: X
REF:50024012		TITLE: CHANNEL	
 IT/CE	DIV.EPH_LEP_DTA	ABBREU: CH	PAGE:
	1211 GENEVA 23	LAST_MODIFIED=Fri Jun 17 11:26:35 2005	
	SWITZERLAND	DESSIN: A. JUNIQUE	ETUDE:C.ENGSTER

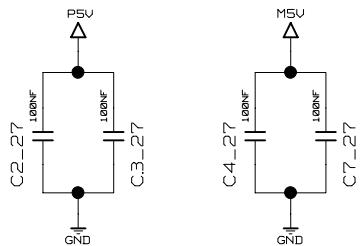
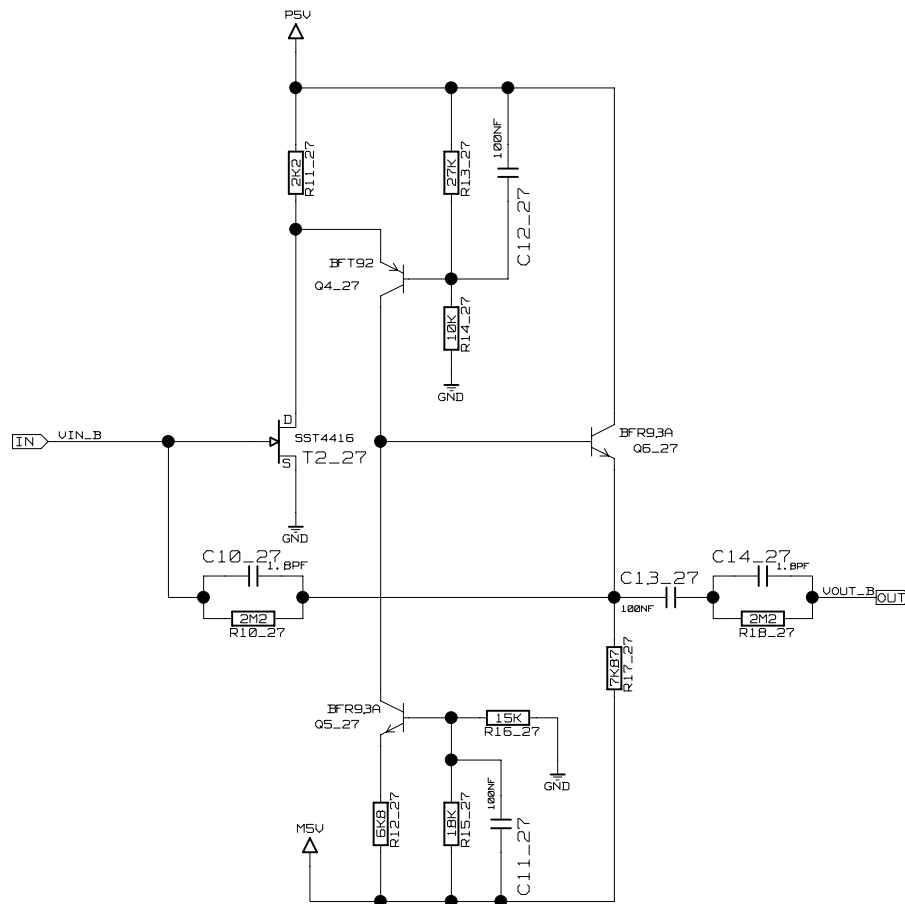
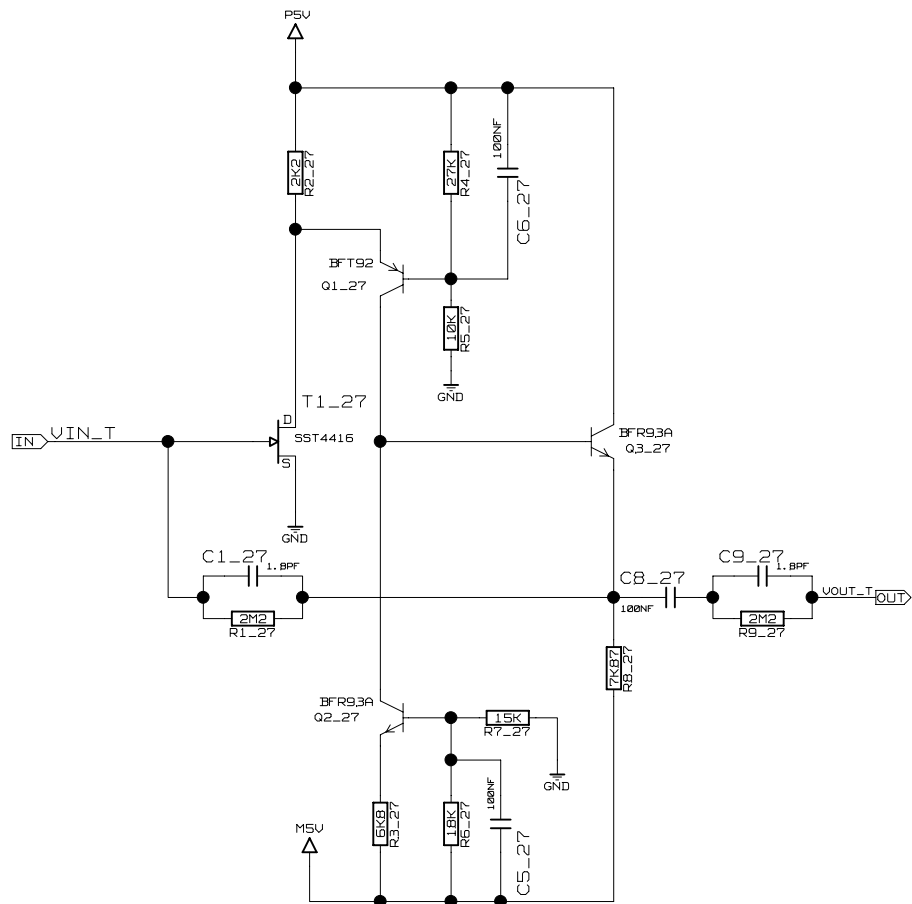


DRAWING


EDMS REF: X	VERSION: X	PCB: X	SYSTEM: X
REF:50024012		TITLE: CHANNEL	
 IT/CE	DIV.EPH_LEP_DTA	ABBREU: CH	PAGE:
	1211 GENEVA 23	LAST_MODIFIED=Fri Jun 17 11:26:35 2005	
	SWITZERLAND	DESSIN: A. JUNIQUE	ETUDE:C.ENGSTER
		DATE: 21/04/05	

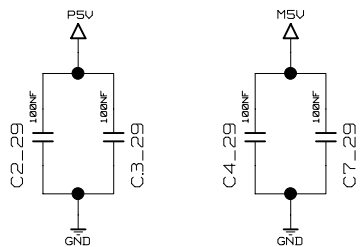
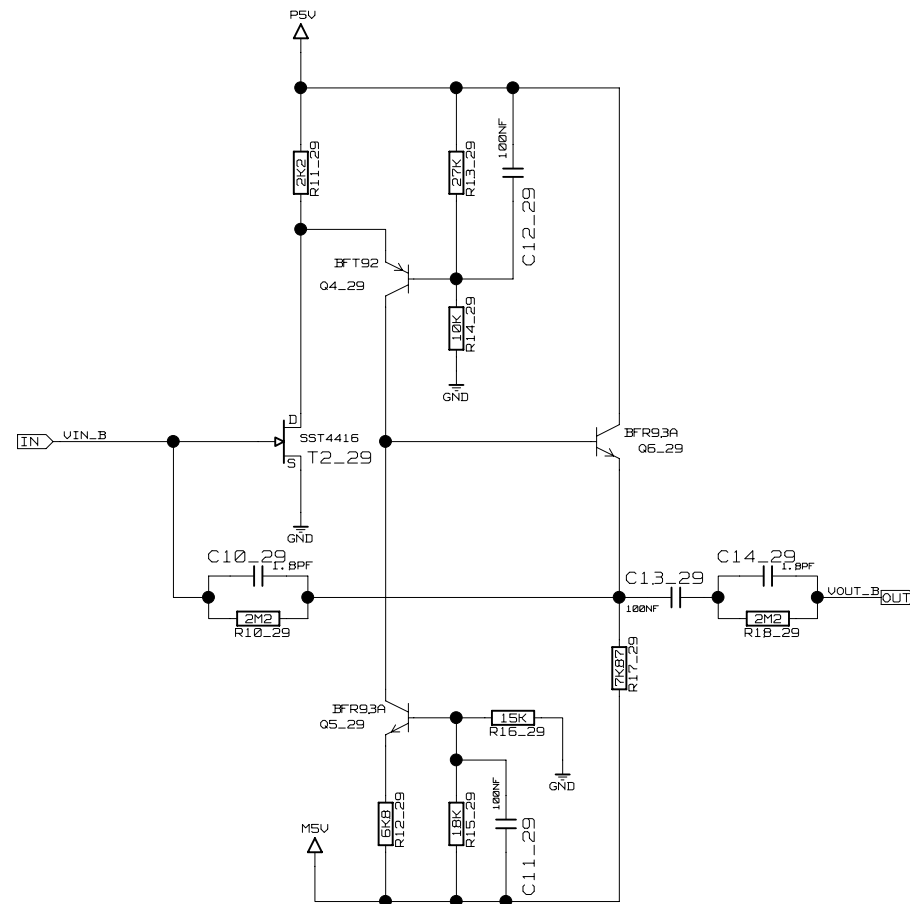
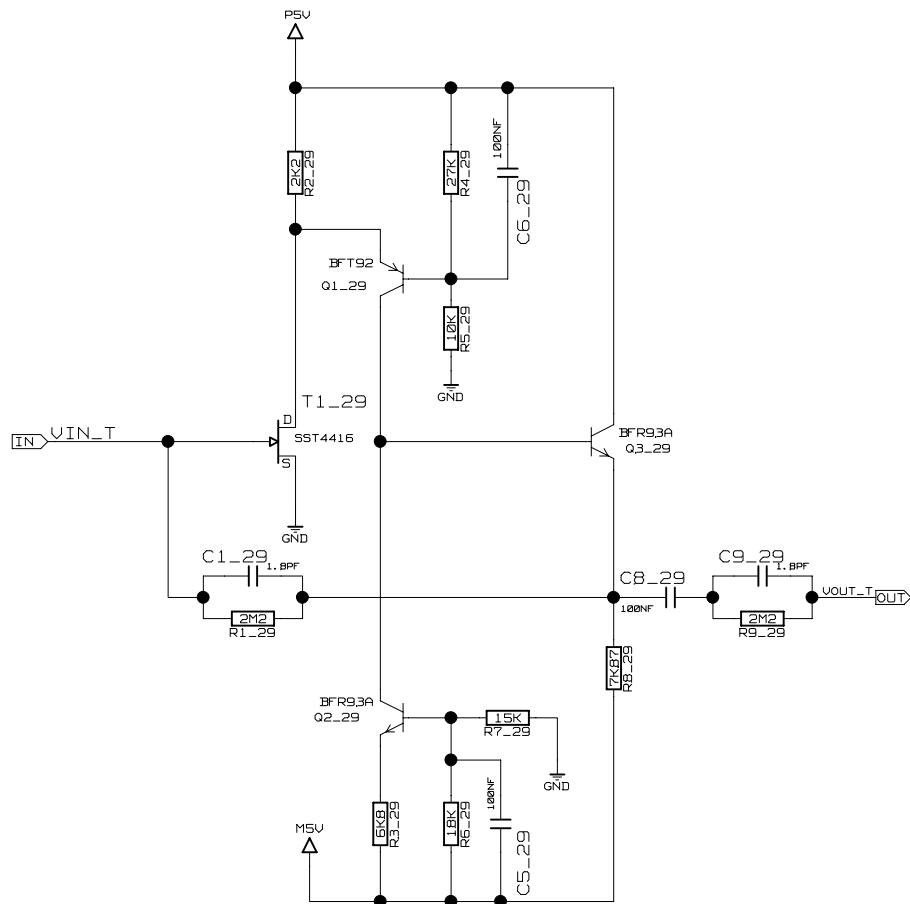


DRAWING		EDMS REF: X		VERSION: X		PCB: X		SYSTEM: X	
REF:50024012				TITLE: CHANNEL					
IT/GE CERN	DIV.EPH_LEP_DTA			ABBREU: CH		PAGE:			
	1211 GENEVA 23			LAST_MODIFIED=Fri Jun 17 11:26:35 2005					
	SWITZERLAND			DESSIN: A. JUNIQUE		ETUDE:C.ENGSTER		DATE:21/04/05	

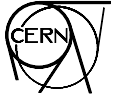


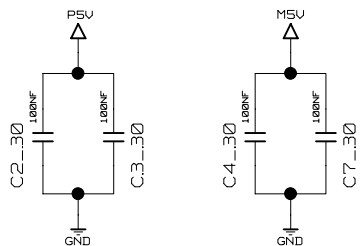
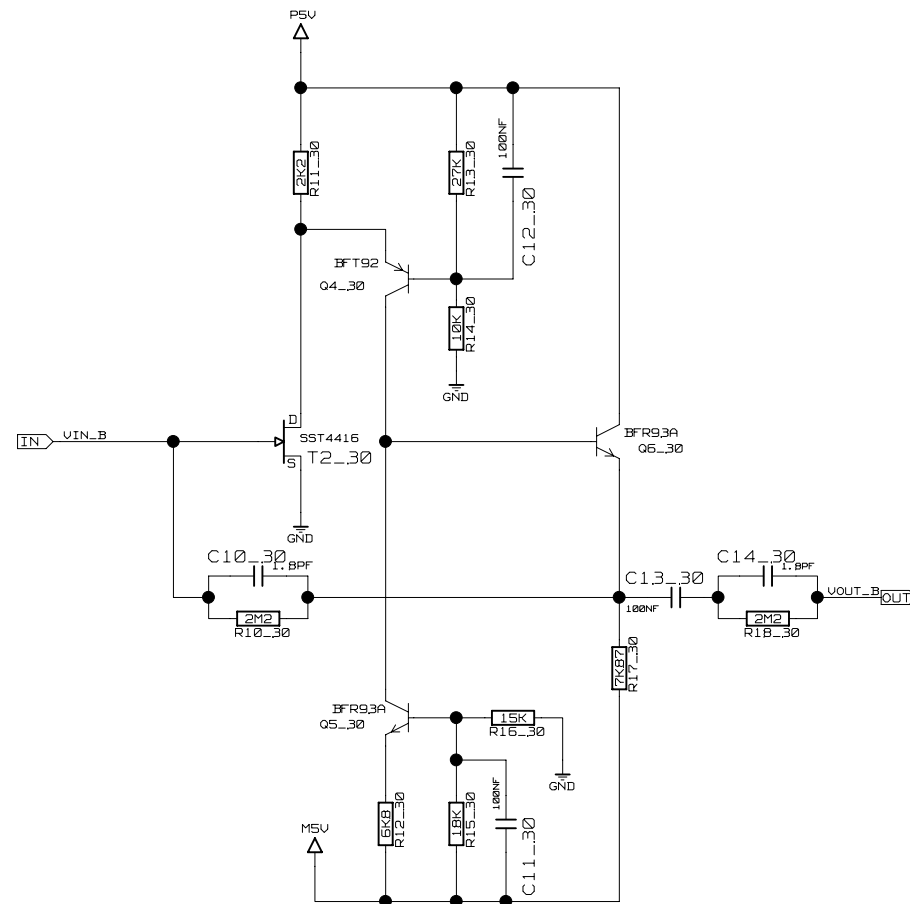
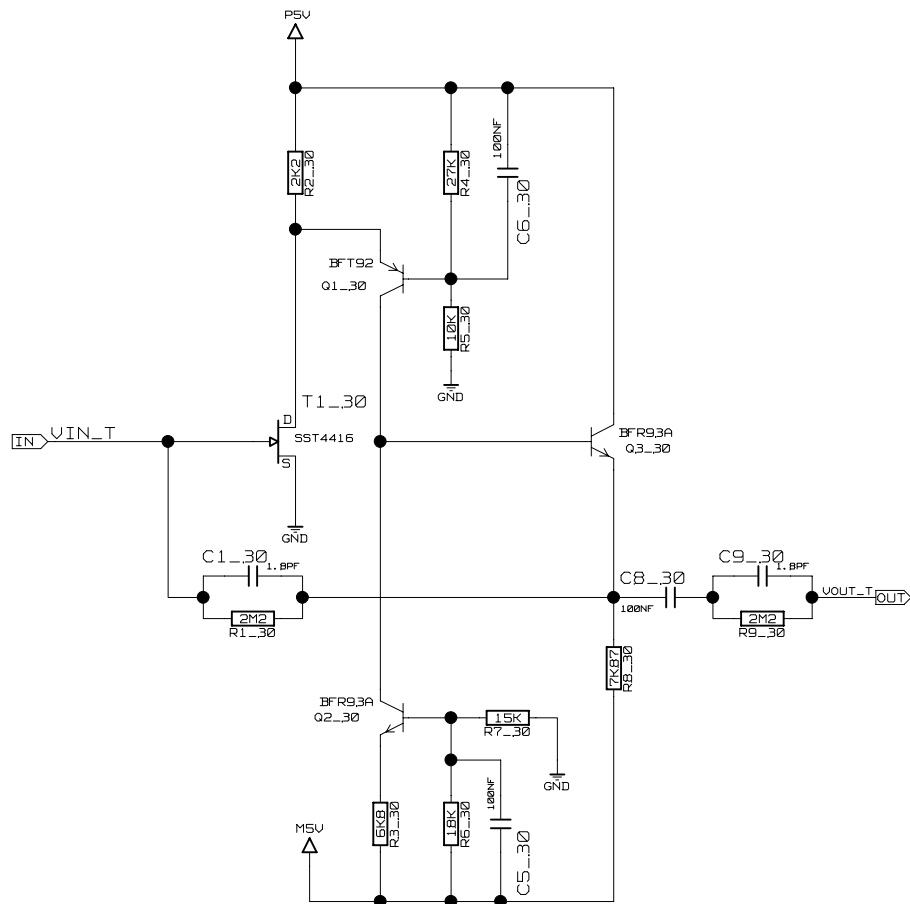
DRAWING

EDMS REF: X	VERSION: X	PCB: X	SYSTEM: X
REF:50024012		TITLE: CHANNEL	
 IT/CE	DIV.EPH_LEP_DTA	ABBREV: CH	PAGE:
	1211 GENEVA 23	LAST_MODIFIED=Fri Jun 17 11:26:35 2005	
	SWITZERLAND	DESSIN: A. JUNIQUE	ETUDE:C. ENGSTER
		DATE: 21/04/05	




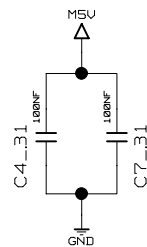
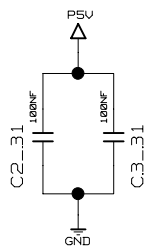
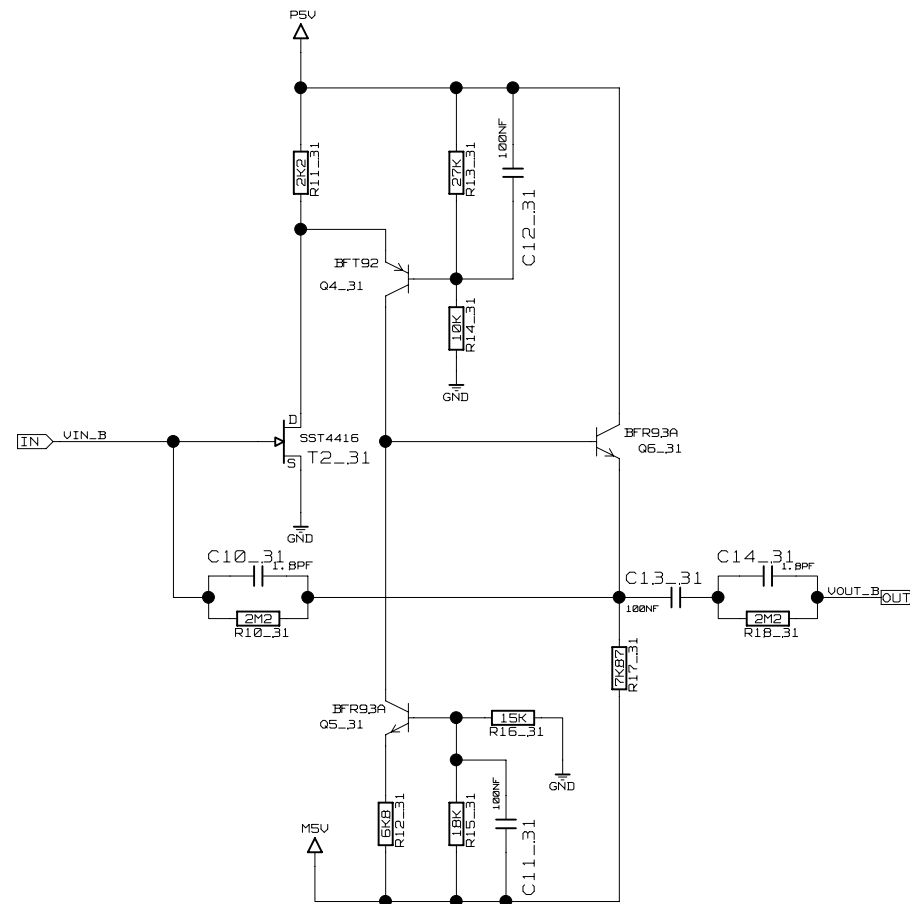
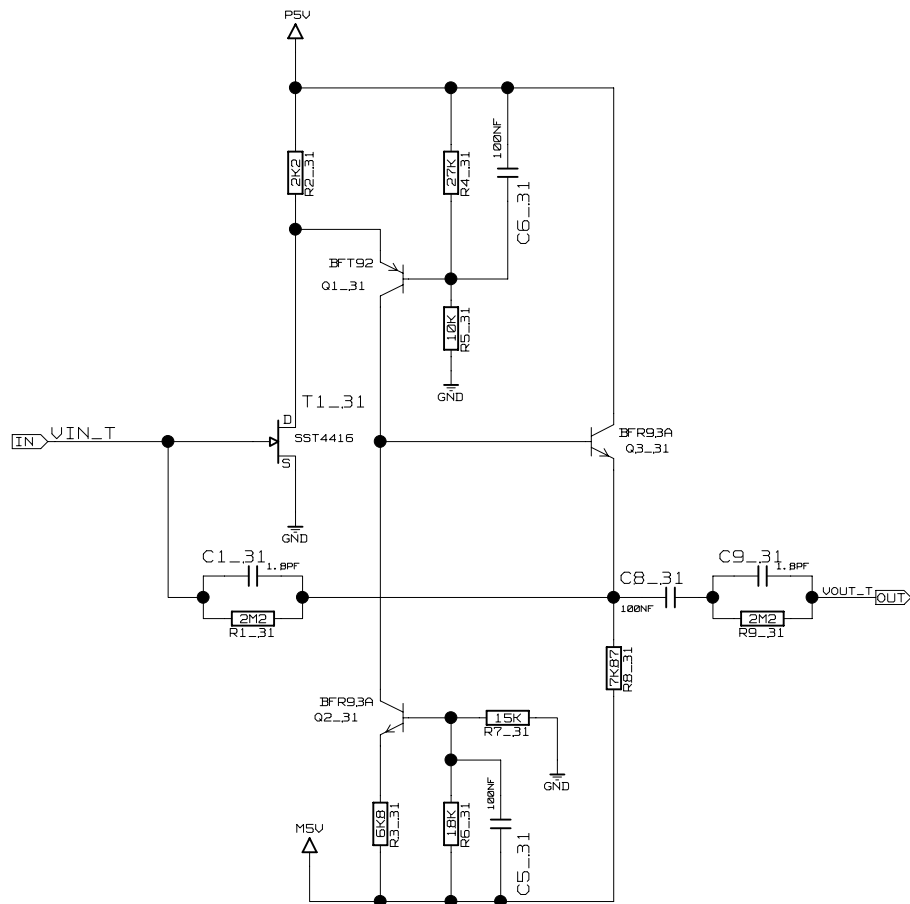
DRAWING

EDMS REF: X	VERSION: X	PCB: X	SYSTEM: X
REF:50024012		TITLE: CHANNEL	
 IT/CE	DIV.EPH_LEP_DTA	ABBREU: CH	PAGE:
	1211 GENEVA 23	LAST_MODIFIED=Fri Jun 17 11:26:35 2005	
	SWITZERLAND	DESSIN: A. JUNIQUE	ETUDE:C.ENGSTER

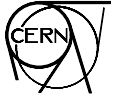


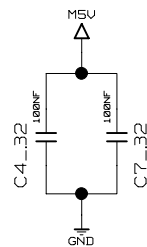
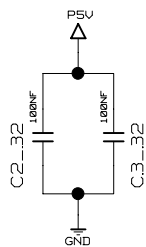
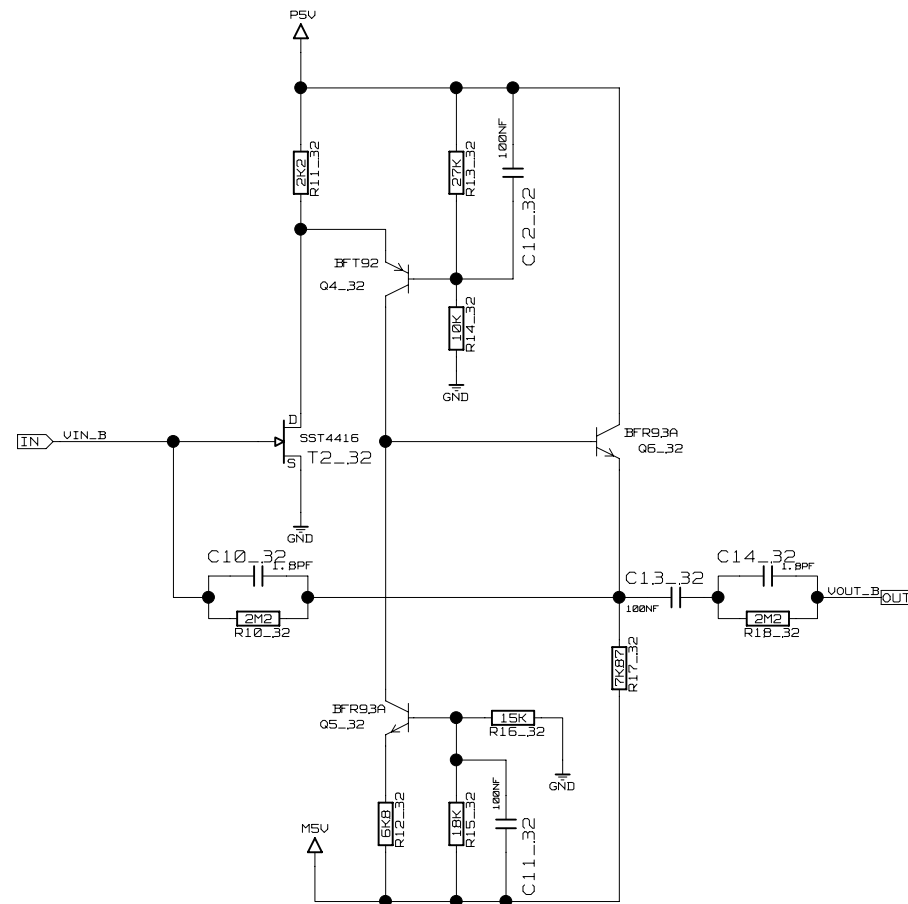
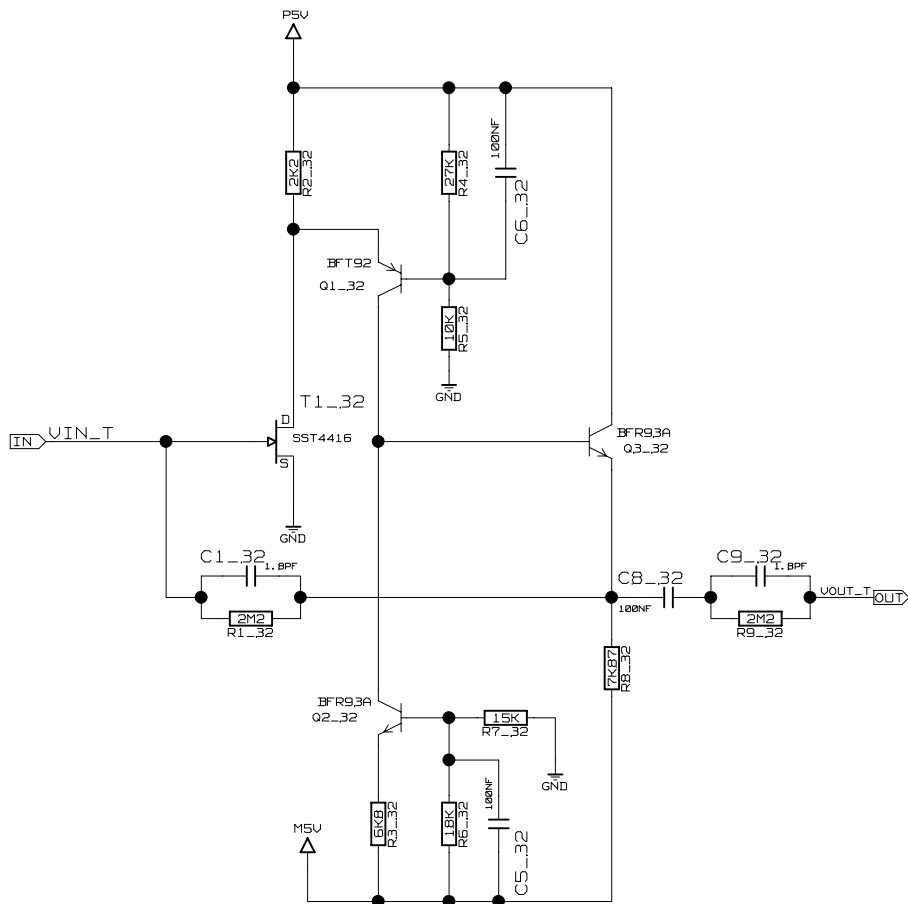
DRAWING

EDMS REF: X	VERSION: X	PCB: X	SYSTEM: X
REF:50024012		TITLE: CHANNEL	
 IT/CE	DIV.EPH_LEP_DTA	ABBREU: CH	PAGE:
	1211 GENEVA 23	LAST_MODIFIED=Fri Jun 17 11:26:35 2005	
	SWITZERLAND	DESSIN: A. JUNIQUE	ETUDE:C.ENGSTER
			DATE: 21/04/05




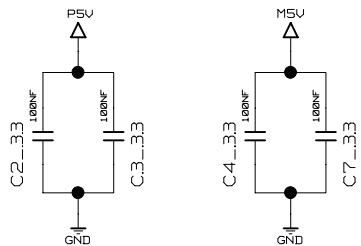
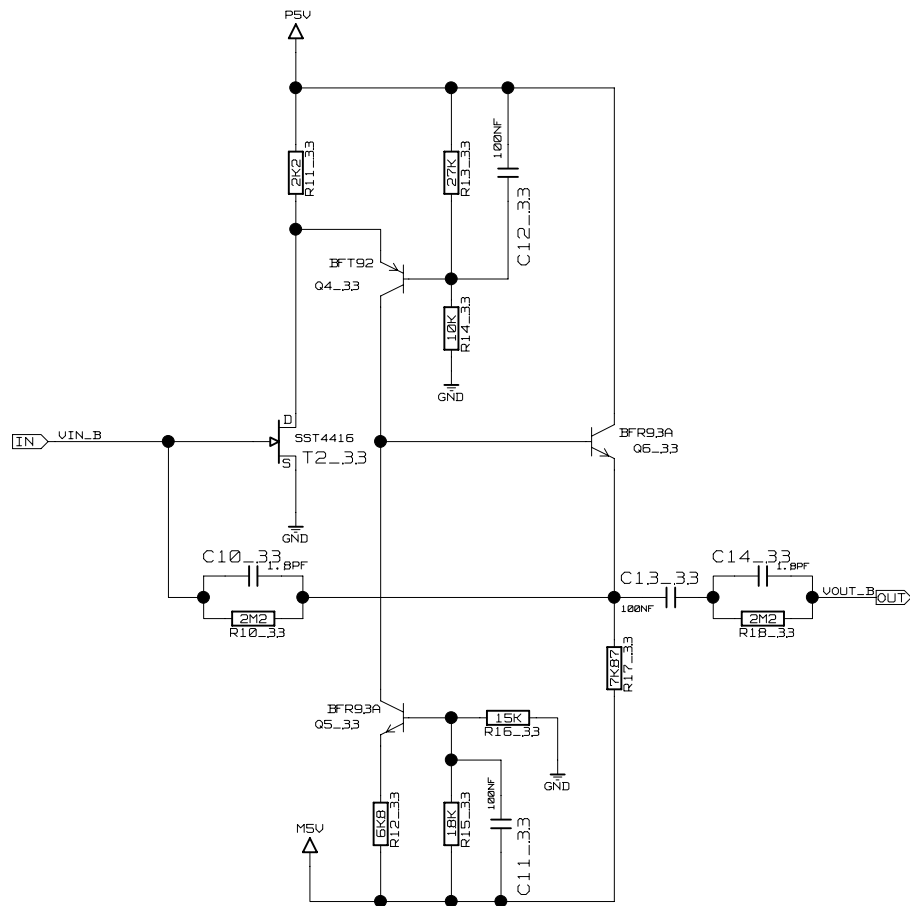
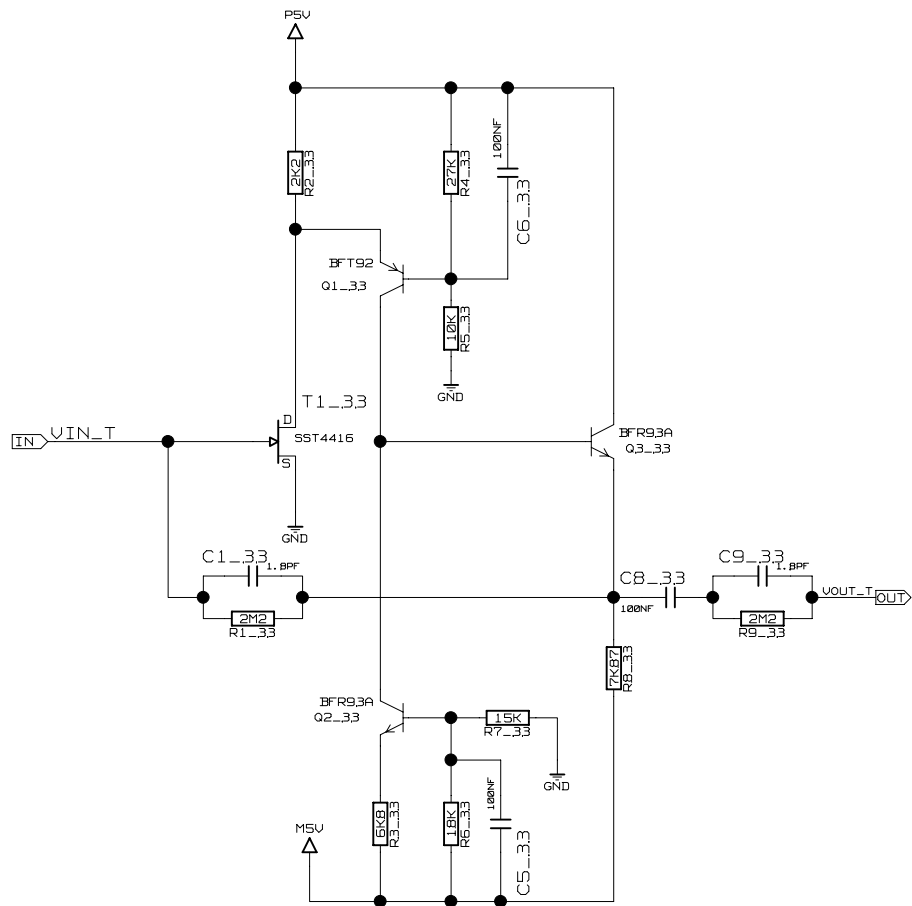
DRAWING

EDMS REF: X	VERSION: X	PCB: X	SYSTEM: X
REF:50024012		TITLE: CHANNEL	
 IT/CE	DIV.EPH_LEP_DTA	ABBREU: CH	PAGE:
	1211 GENEVA 23	LAST_MODIFIED=Fri Jun 17 11:26:35 2005	
	SWITZERLAND	DESSIN: A. JUNIQUE	ETUDE:C.ENGSTER
		DATE:21/04/05	




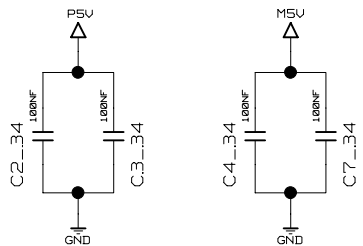
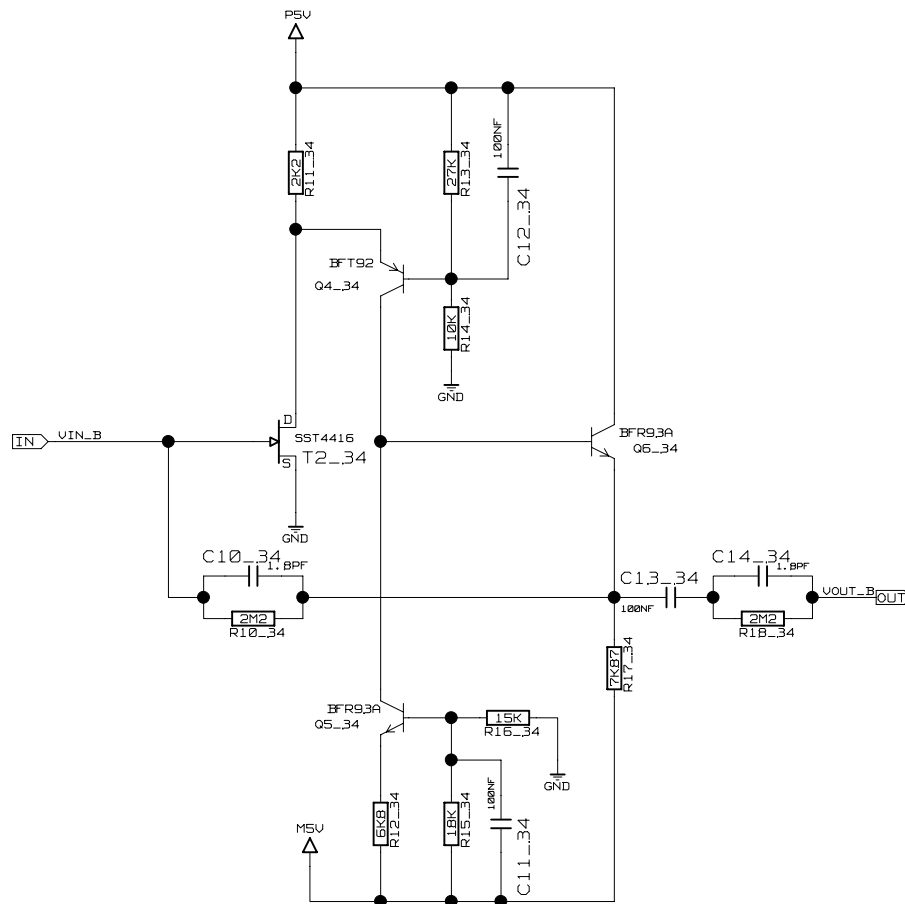
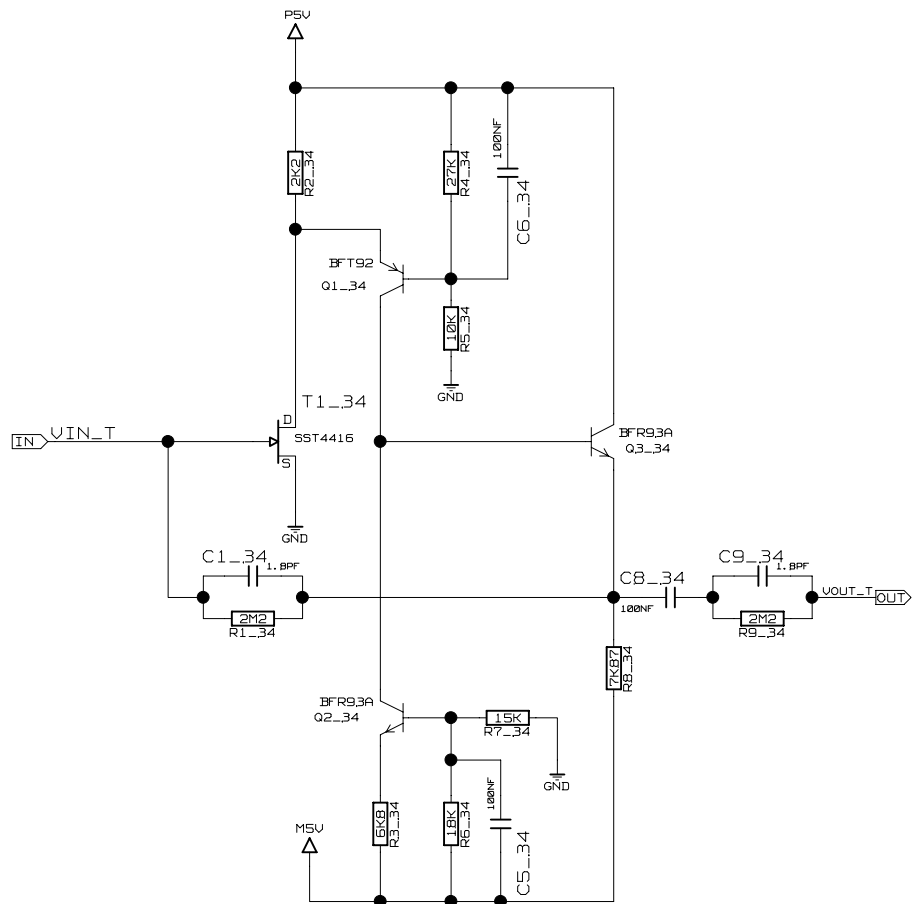
DRAWING

EDMS REF: X	VERSION: X	PCB: X	SYSTEM: X
REF:50024012		TITLE: CHANNEL	
 IT/CE	DIV.EPH_LEP_DTA	ABBREU: CH	PAGE:
	1211 GENEVA 23	LAST_MODIFIED=Fri Jun 17 11:26:35 2005	
	SWITZERLAND	DESSIN: A. JUNIQUE	ETUDE:C.ENGSTER




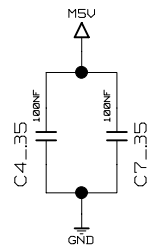
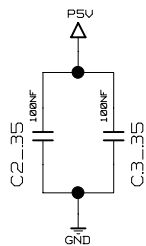
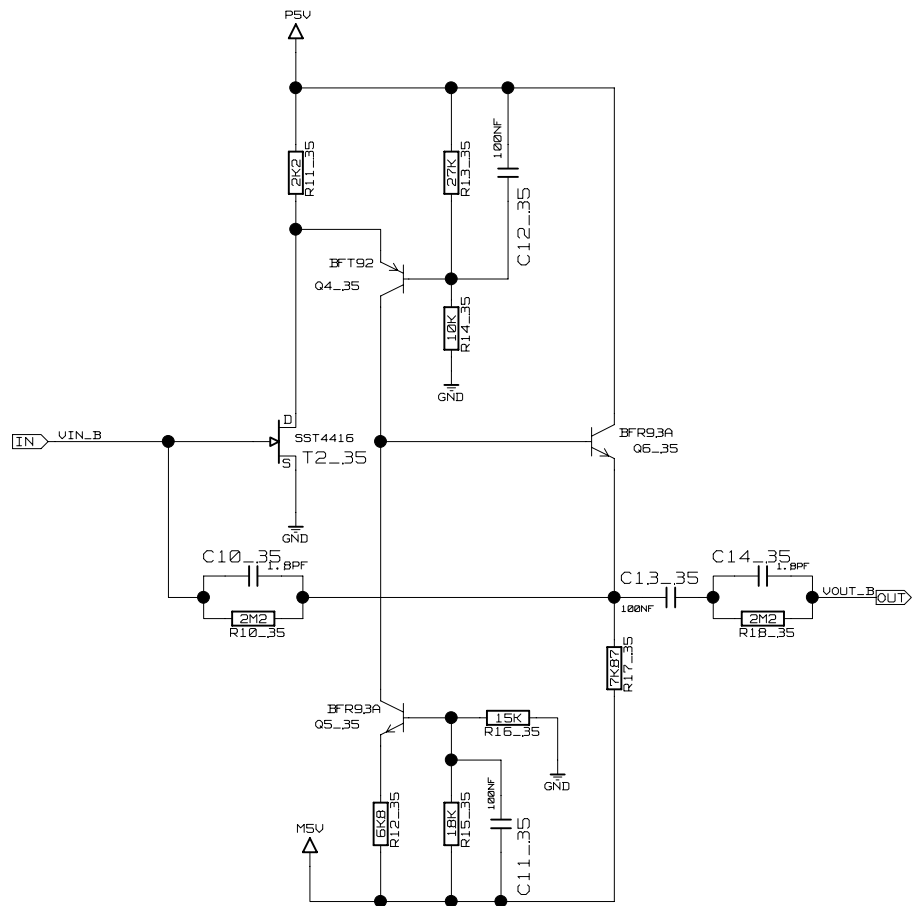
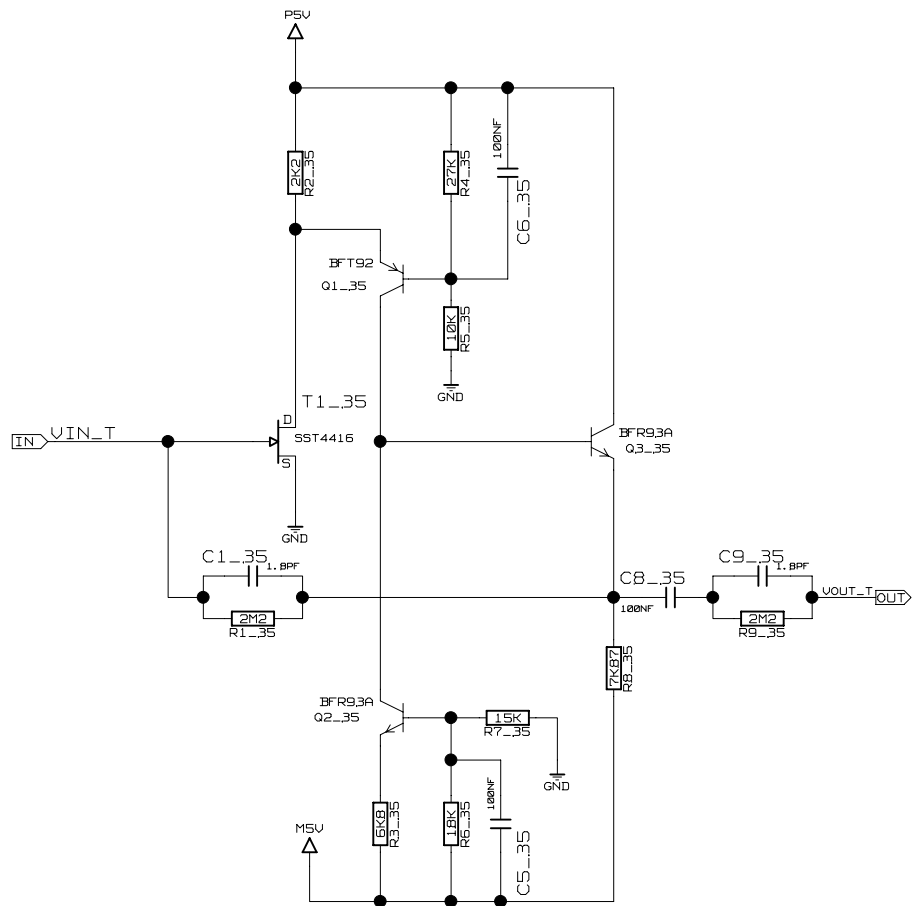
DRAWING

EDMS REF: X	VERSION: X	PCB: X	SYSTEM: X
REF:50024012		TITLE: CHANNEL	
	DIV.EPH_LEP_DTA	ABBREU: CH	PAGE:
	1211 GENEVA 23	LAST_MODIFIED=Fri Jun 17 11:26:35 2005	
	SWITZERLAND	DESSIN: A. JUNIQUE	ETUDE:C.ENGSTER
		DATE: 21/04/05	

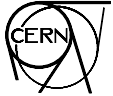


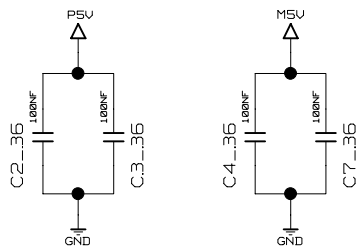
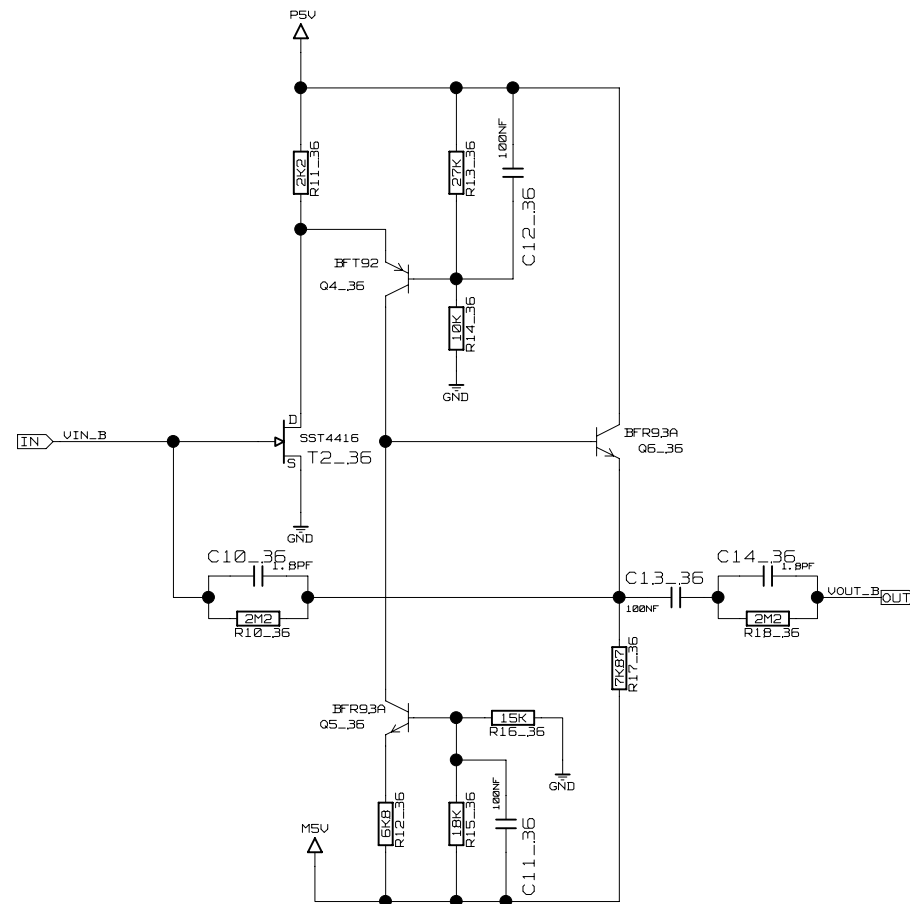
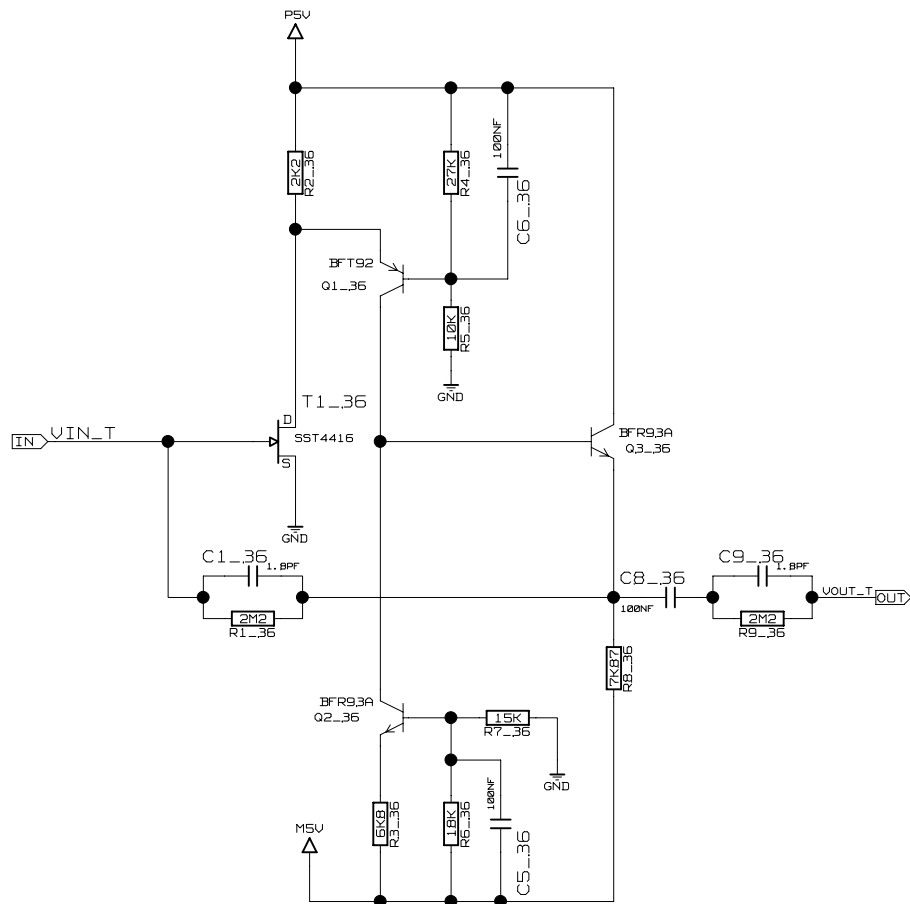
DRAWING

EDMS REF: X	VERSION: X	PCB: X	SYSTEM: X
REF:50024012		TITLE: CHANNEL	
 IT/CE	DIV.EPH_LEP_DTA	ABBREU: CH	PAGE:
	1211 GENEVA 23	LAST_MODIFIED=Fri Jun 17 11:26:35 2005	
	SWITZERLAND	DESSIN: A. JUNIQUE	ETUDE:C. ENGSTER




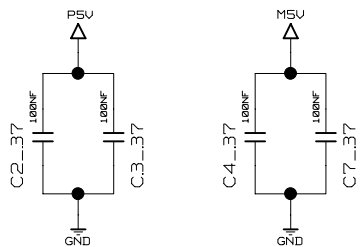
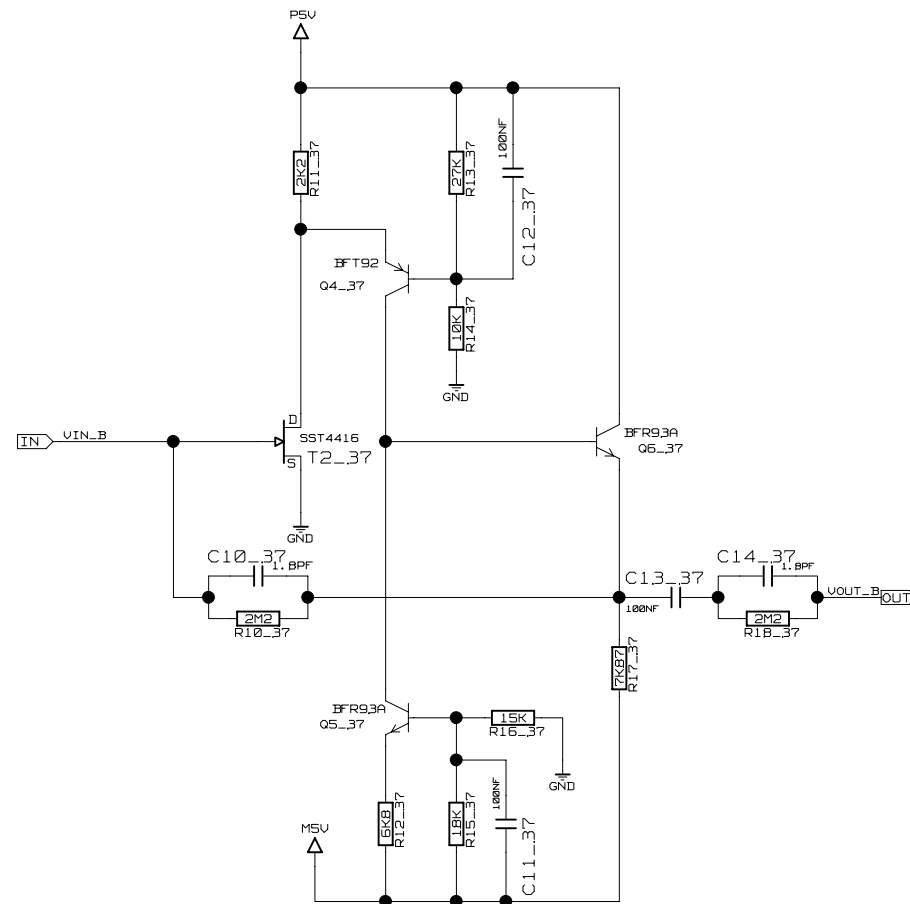
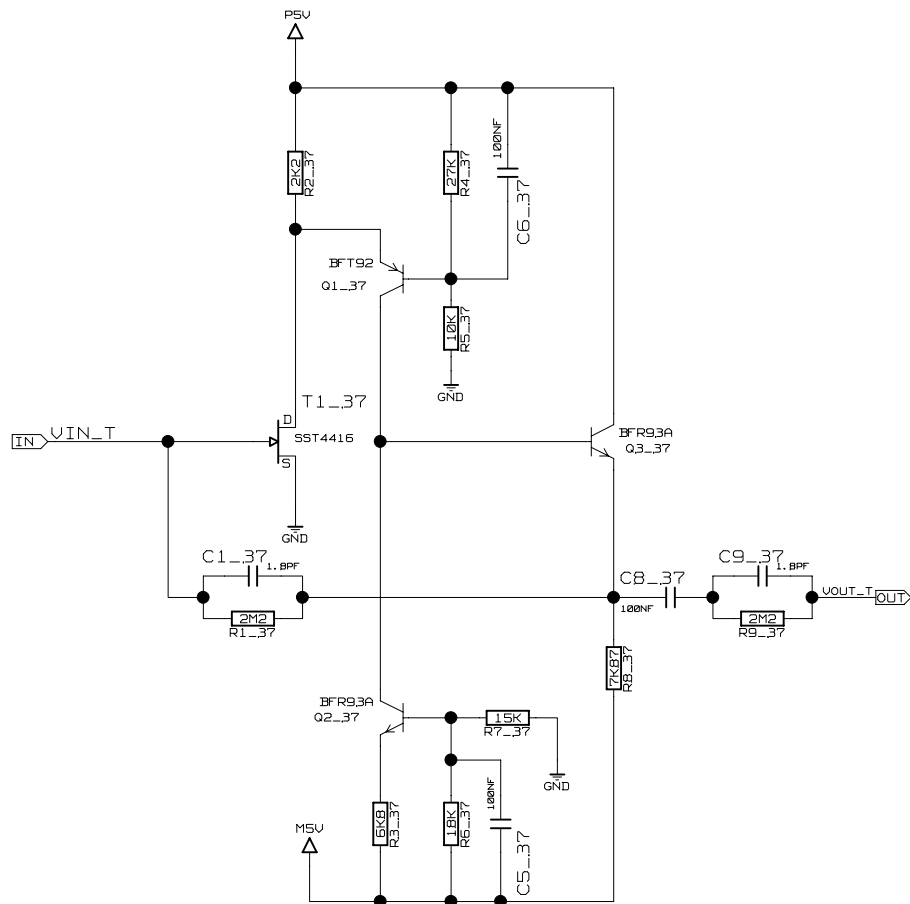
DRAWING

EDMS REF: X	VERSION: X	PCB: X	SYSTEM: X
REF:50024012		TITLE: CHANNEL	
 IT/CE	DIV.EPH_LEP_DTA	ABBREU: CH	PAGE:
	1211 GENEVA 23	LAST_MODIFIED=Fri Jun 17 11:26:35 2005	
	SWITZERLAND	DESSIN: A. JUNIQUE	ETUDE:C.ENGSTER
		DATE: 21/04/05	




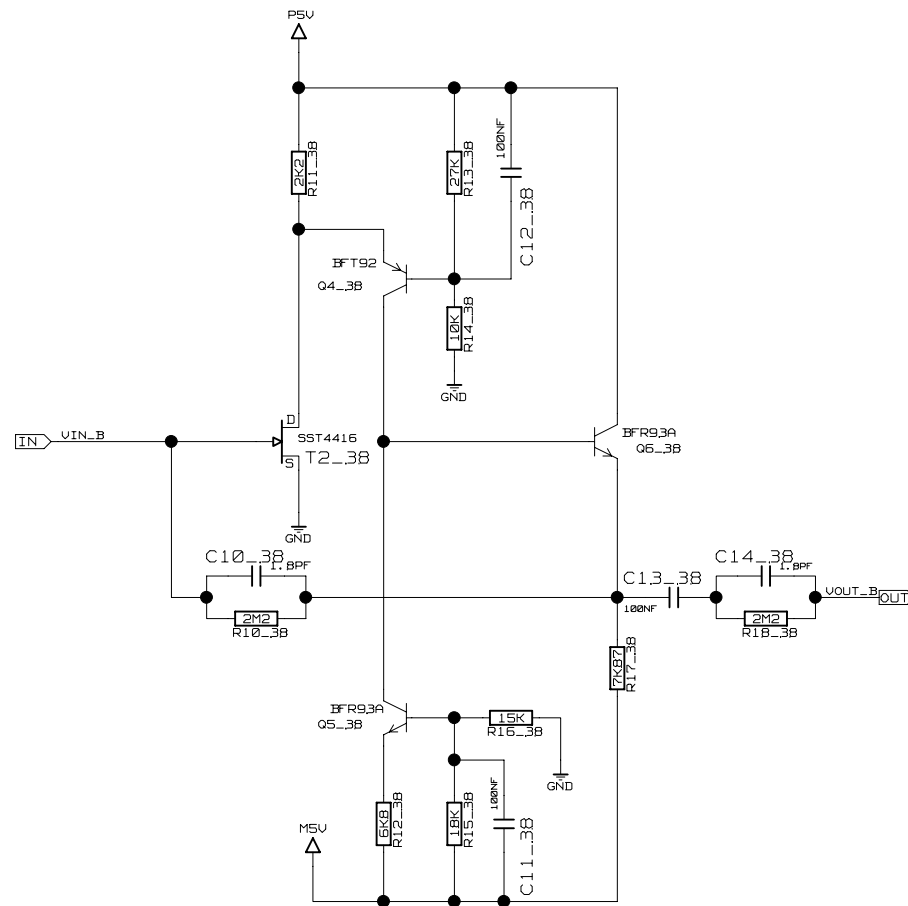
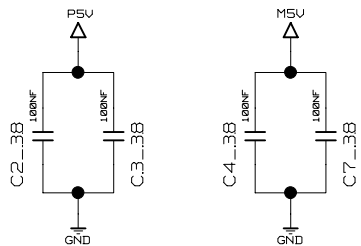
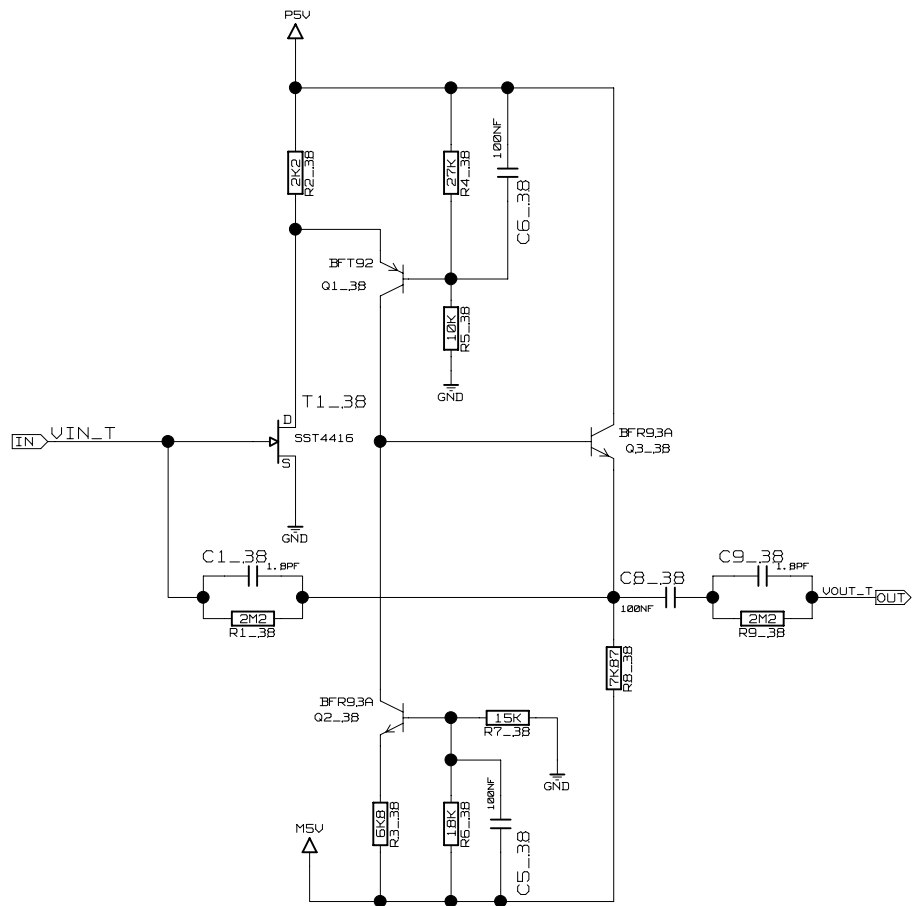
DRAWING

EDMS REF: X	VERSION: X	PCB: X	SYSTEM: X
REF:50024012		TITLE: CHANNEL	
 DIV.EPH_LEP_DTA 1211 GENEVA 23 SWITZERLAND	ABBREU: CH	PAGE:	
	LAST_MODIFIED=Fri Jun 17 11:26:35 2005		
	DESSIN: A. JUNIQUE	ETUDE:C.ENGSTER	DATE:21/04/05




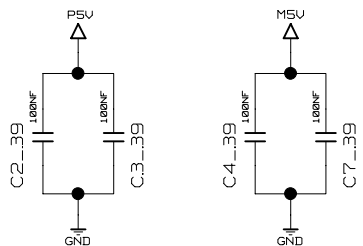
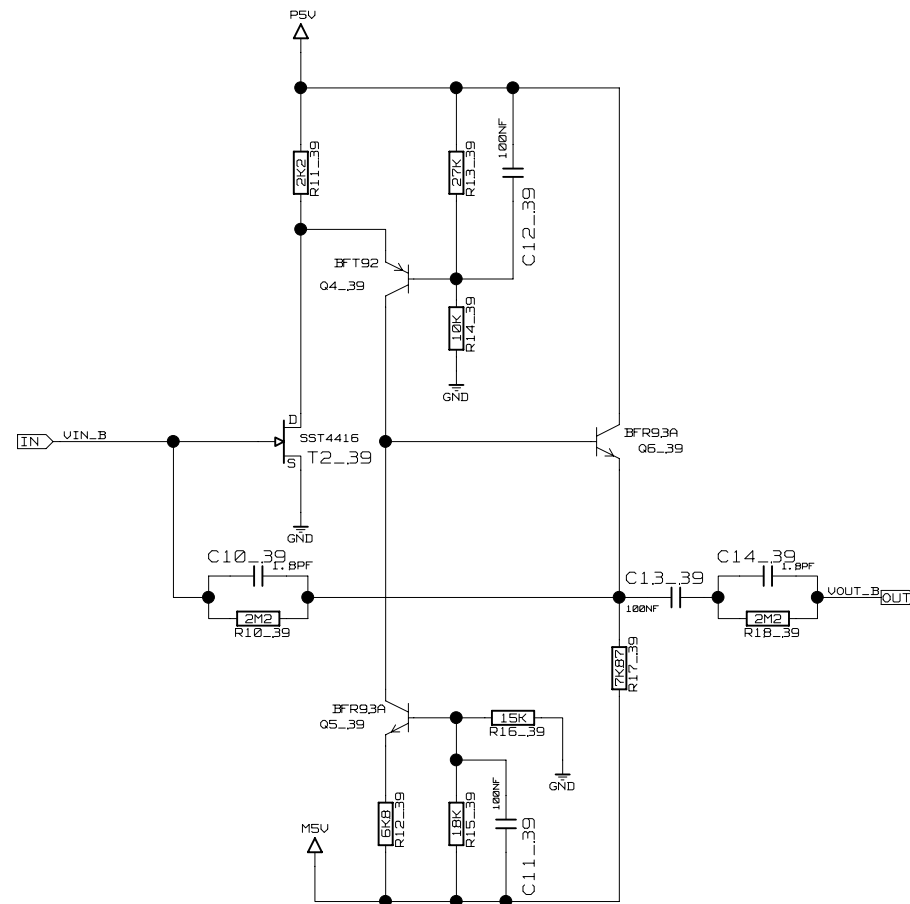
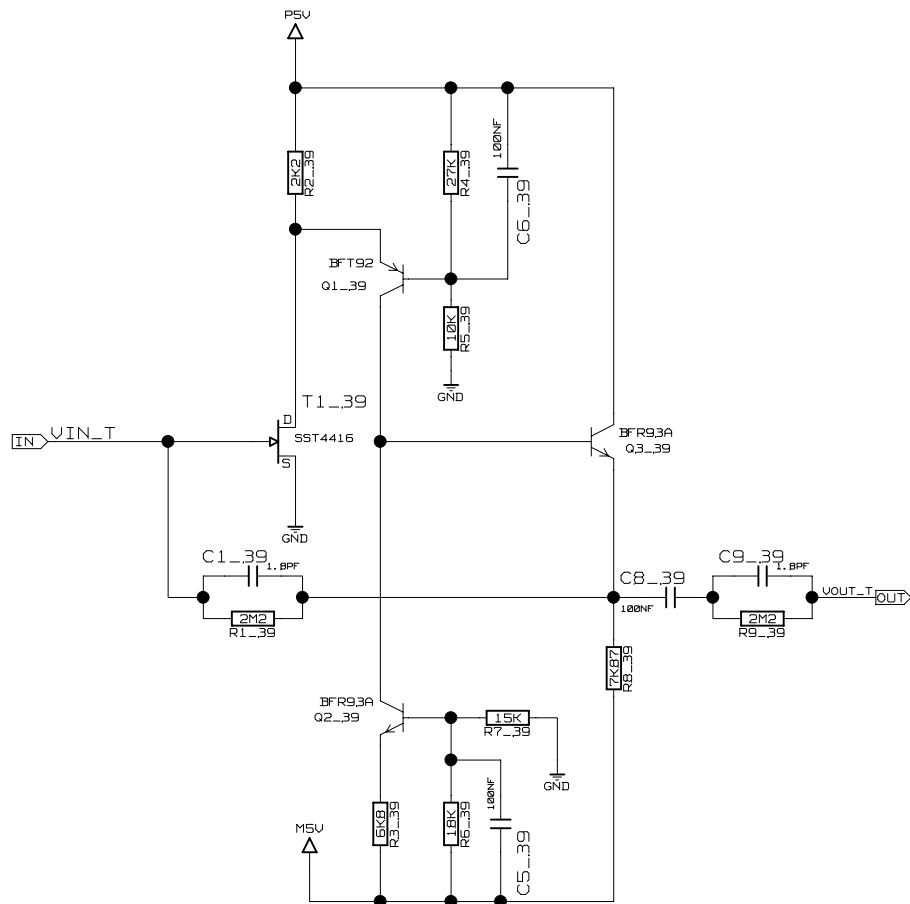
DRAWING

EDMS REF: X	VERSION: X	PCB: X	SYSTEM: X
REF:50024012		TITLE: CHANNEL	
 IT/CE	DIV.EPH_LEP_DTA	ABBREU: CH	PAGE:
	1211 GENEVA 23	LAST_MODIFIED=Fri Jun 17 11:26:35 2005	
	SWITZERLAND	DESSIN: A. JUNIQUE	ETUDE:C.ENGSTER
		DATE: 21/04/05	




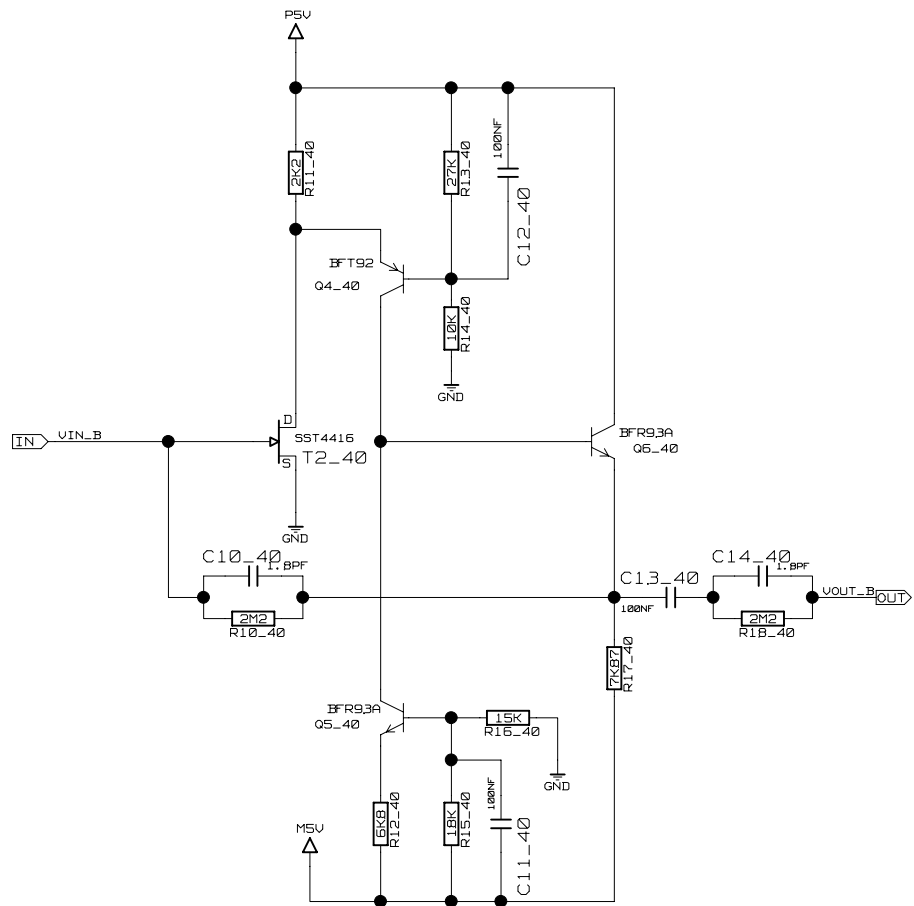
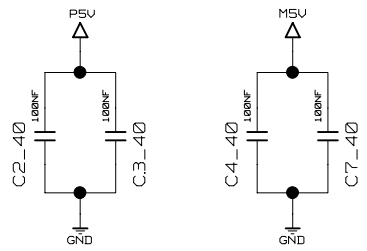
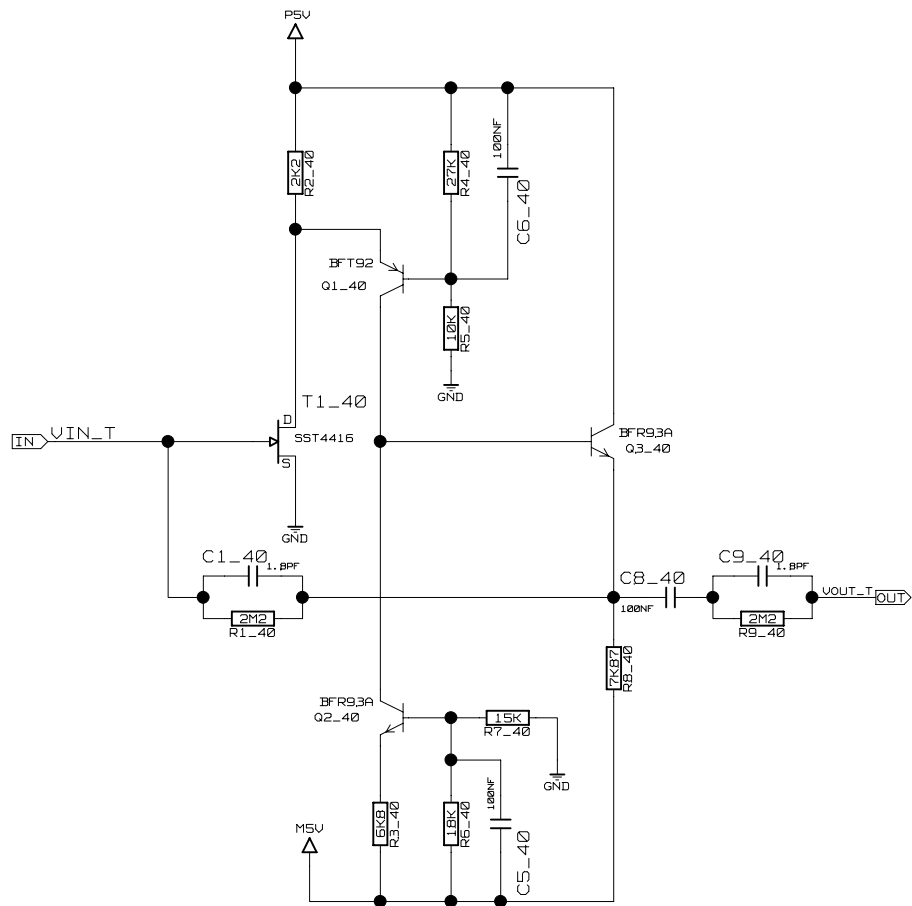
DRAWING

EDMS REF: X	VERSION: X	PCB: X	SYSTEM: X
REF:50024012		TITLE: CHANNEL	
 IT/CE	DIV.EPH_LEP_DTA	ABBREU: CH	PAGE:
	1211 GENEVA 23	LAST_MODIFIED=Fri Jun 17 11:26:35 2005	
	SWITZERLAND	DESSIN: A. JUNIQUE	ETUDE:C.ENGSTER
		DATE: 21/04/05	

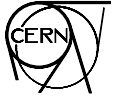


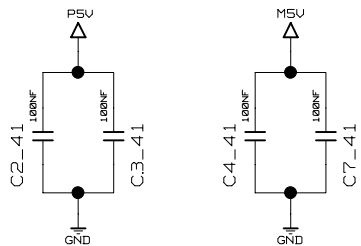
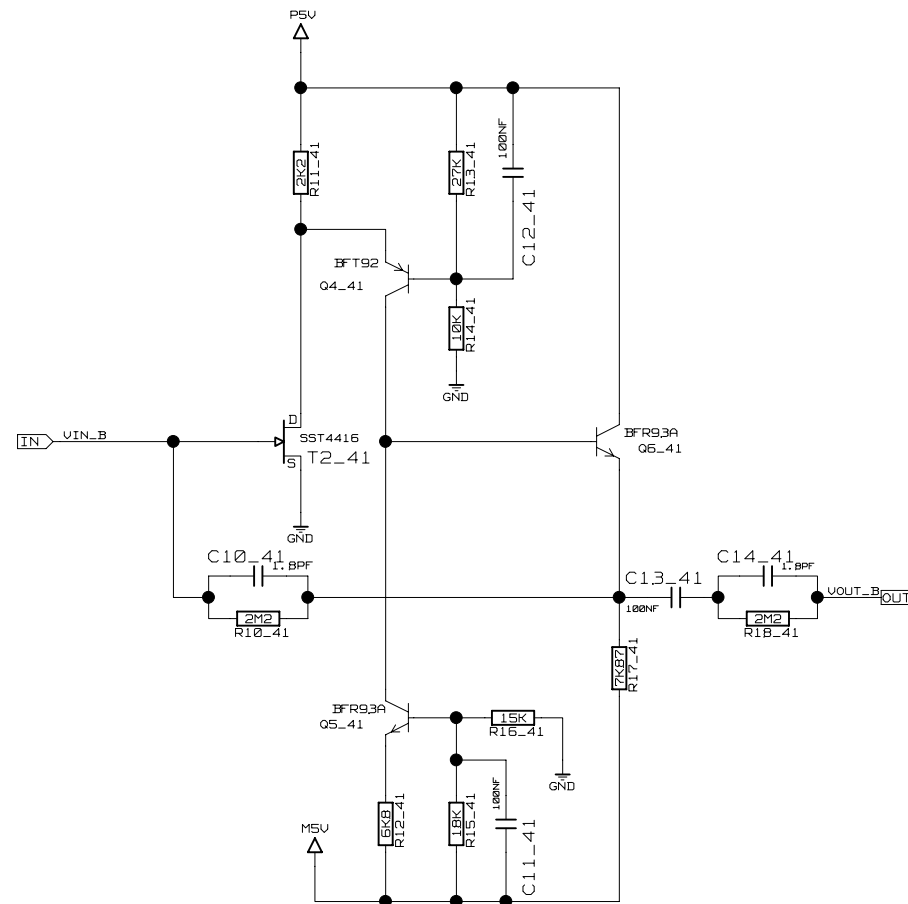
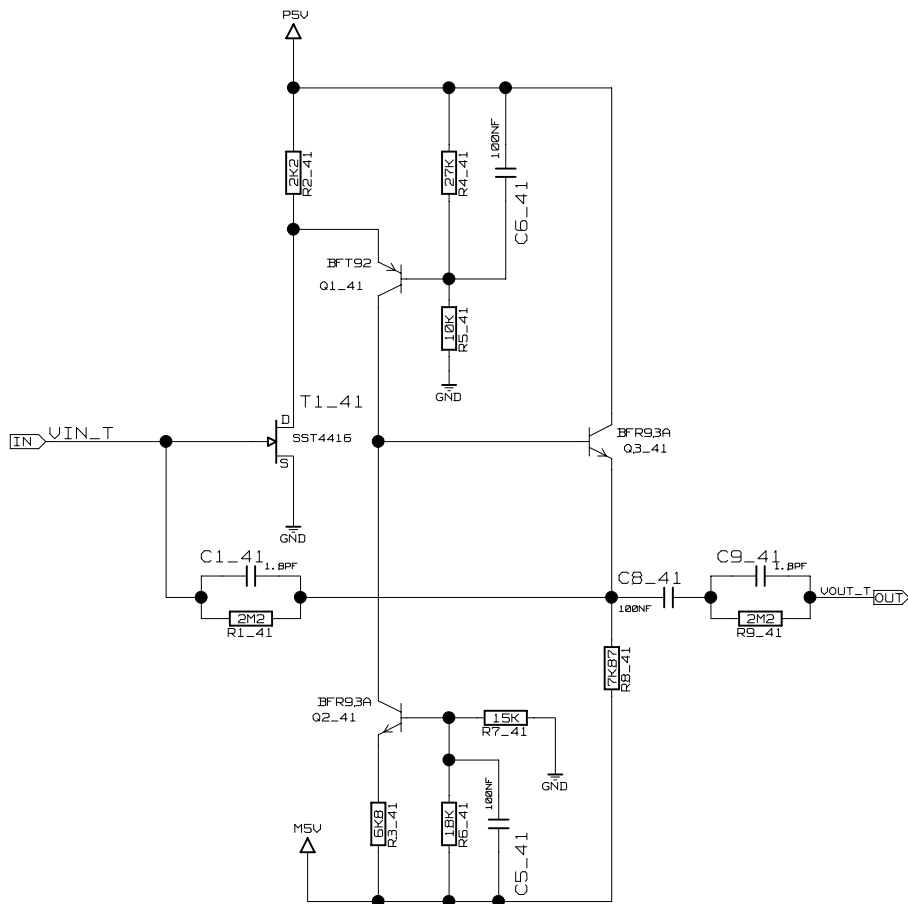
DRAWING

EDMS REF: X	VERSION: X	PCB: X	SYSTEM: X
REF:50024012		TITLE: CHANNEL	
 IT/CE	DIV.EPH_LEP_DTA	ABBREU: CH	PAGE:
	1211 GENEVA 23	LAST_MODIFIED=Fri Jun 17 11:26:35 2005	
	SWITZERLAND	DESSIN: A. JUNIQUE	ETUDE:C.ENGSTER
		DATE: 21/04/05	




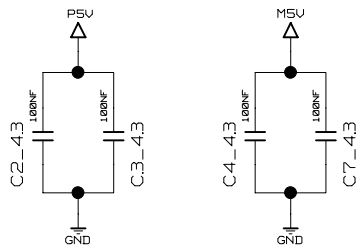
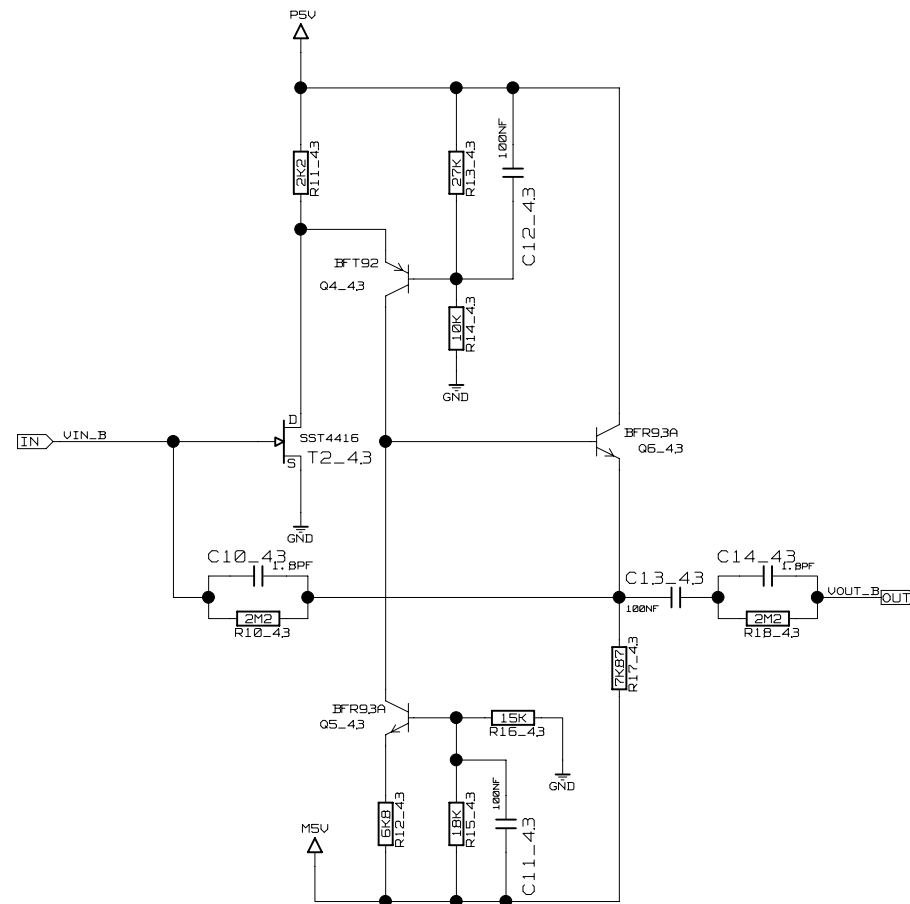
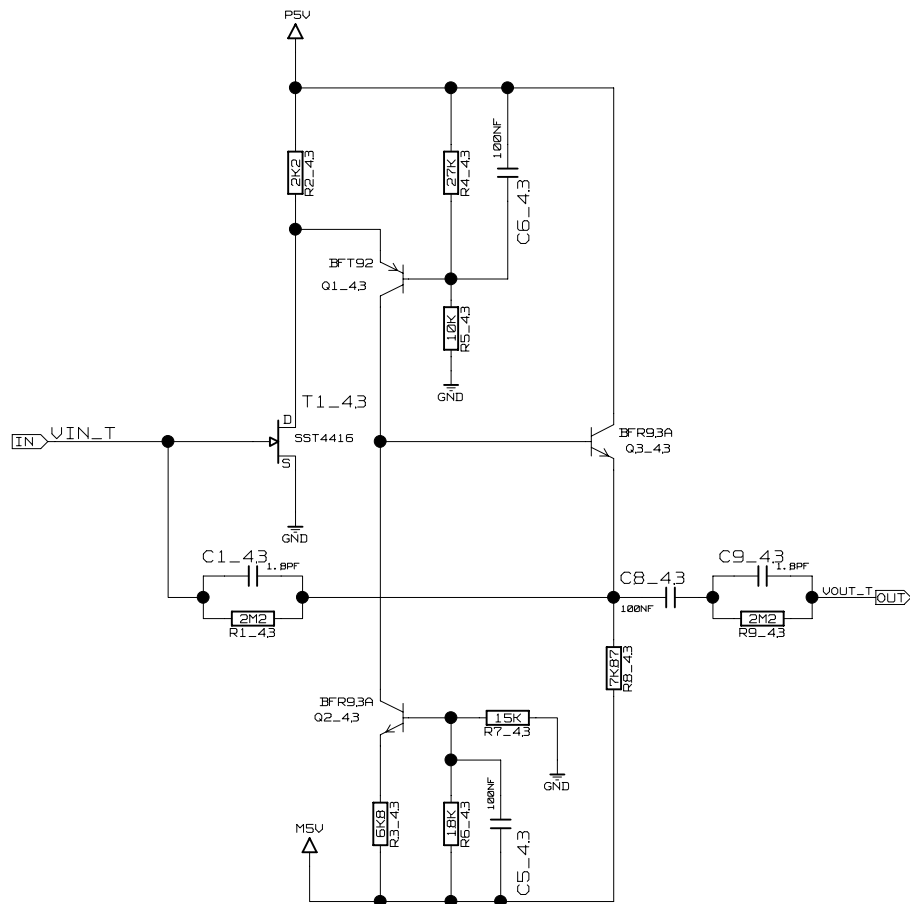
DRAWING

EDMS REF: X	VERSION: X	PCB: X	SYSTEM: X
REF:50024012		TITLE: CHANNEL	
 IT/CE	DIV.EPH_LEP_DTA	ABBREU: CH	PAGE:
	1211 GENEVA 23	LAST_MODIFIED=Fri Jun 17 11:26:35 2005	
	SWITZERLAND	DESSIN: A. JUNIQUE	ETUDE:C.ENGSTER




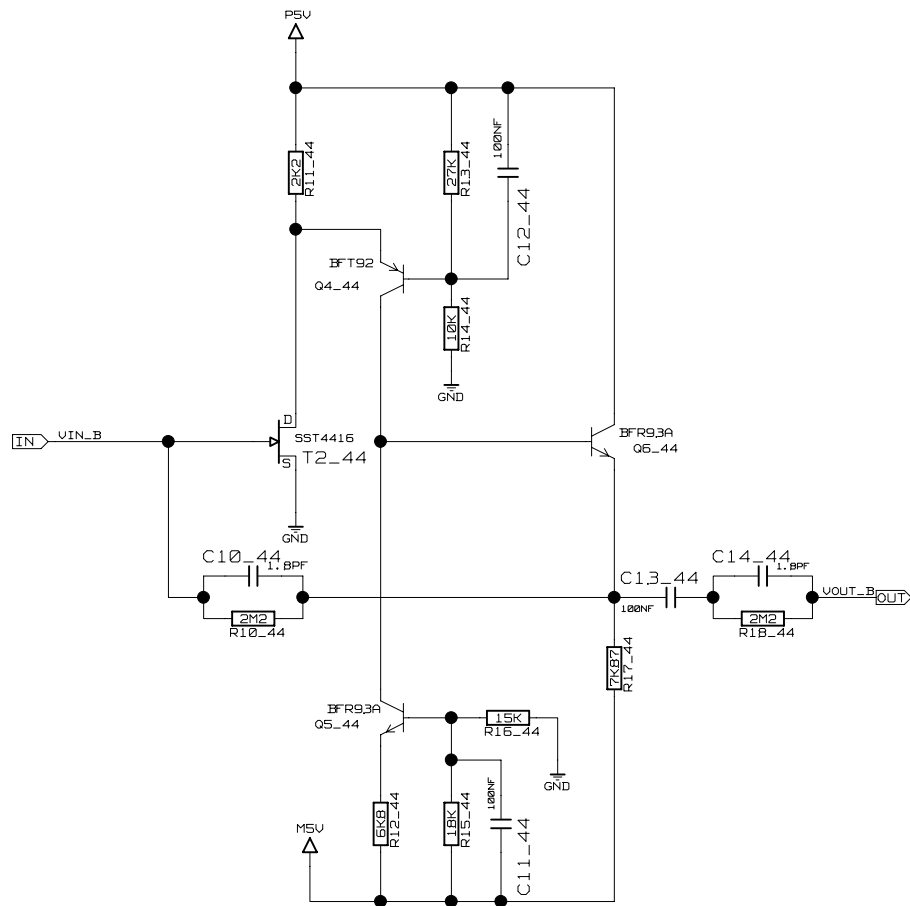
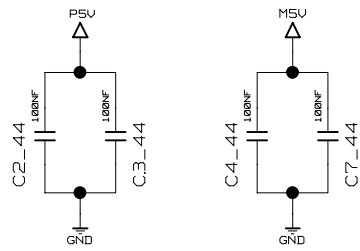
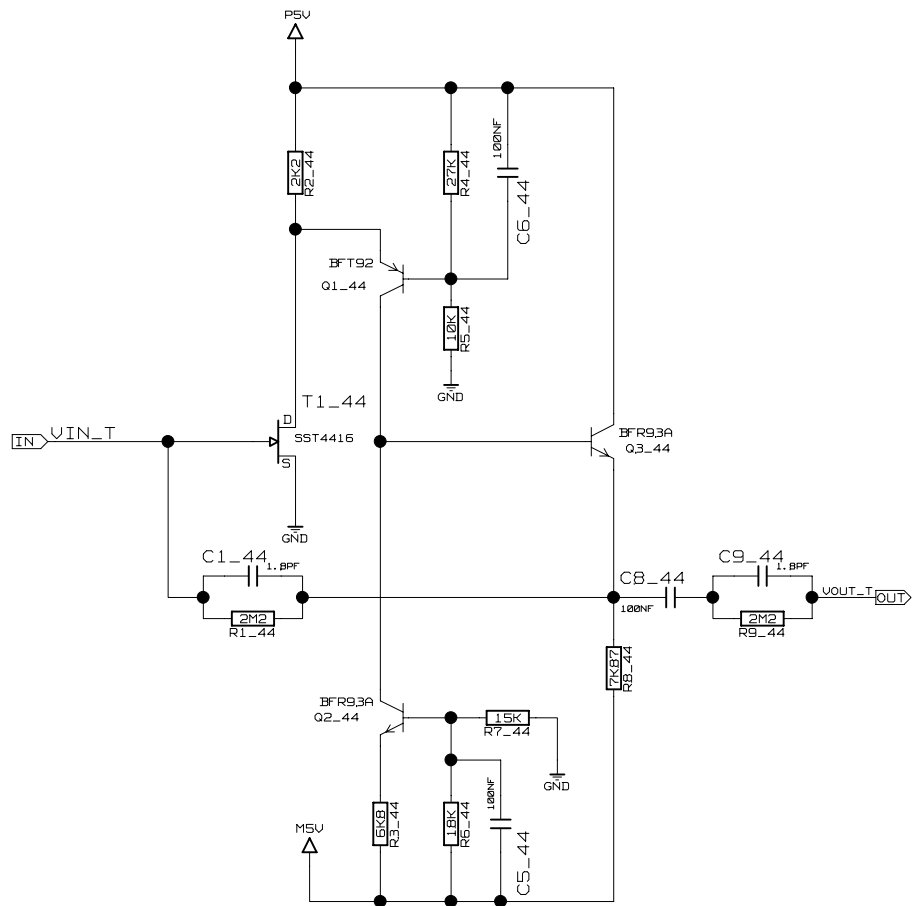
DRAWING

EDMS REF: X	VERSION: X	PCB: X	SYSTEM: X
REF:50024012		TITLE: CHANNEL	
 IT/CE	DIV.EPH_LEP_DTA	ABBREU: CH	PAGE:
	1211 GENEVA 23	LAST_MODIFIED=Fri Jun 17 11:26:35 2005	
	SWITZERLAND	DESSIN: A. JUNIQUE	ETUDE:C. ENGSTER
		DATE: 21/04/05	




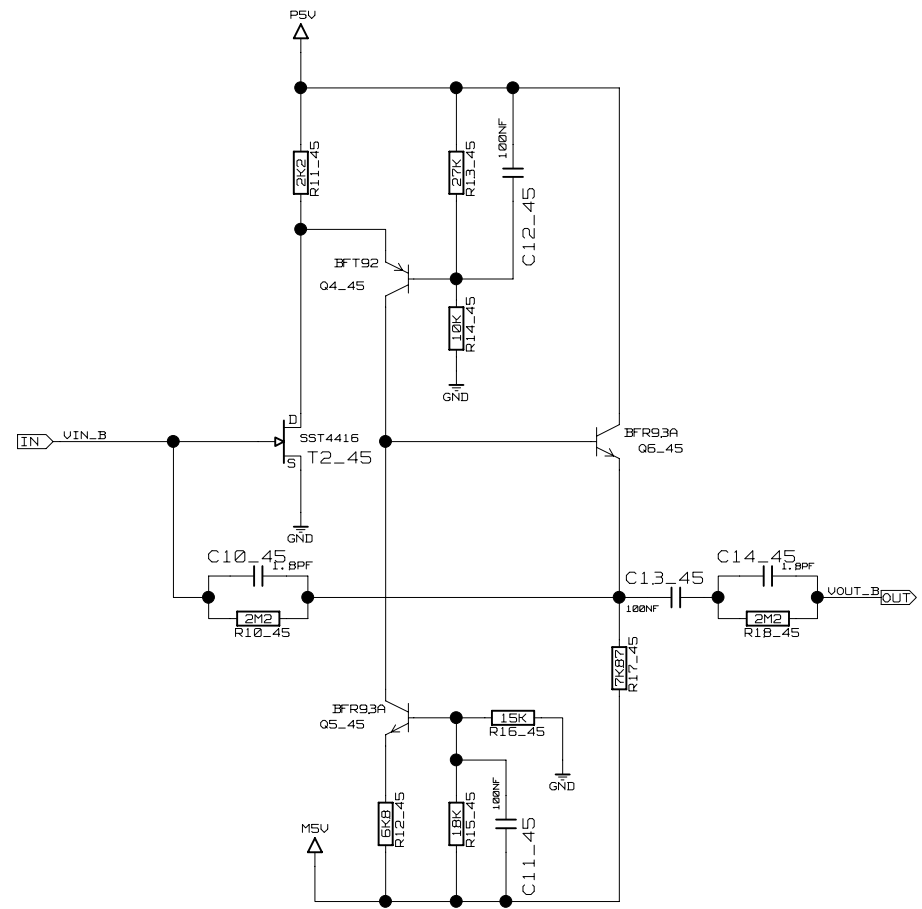
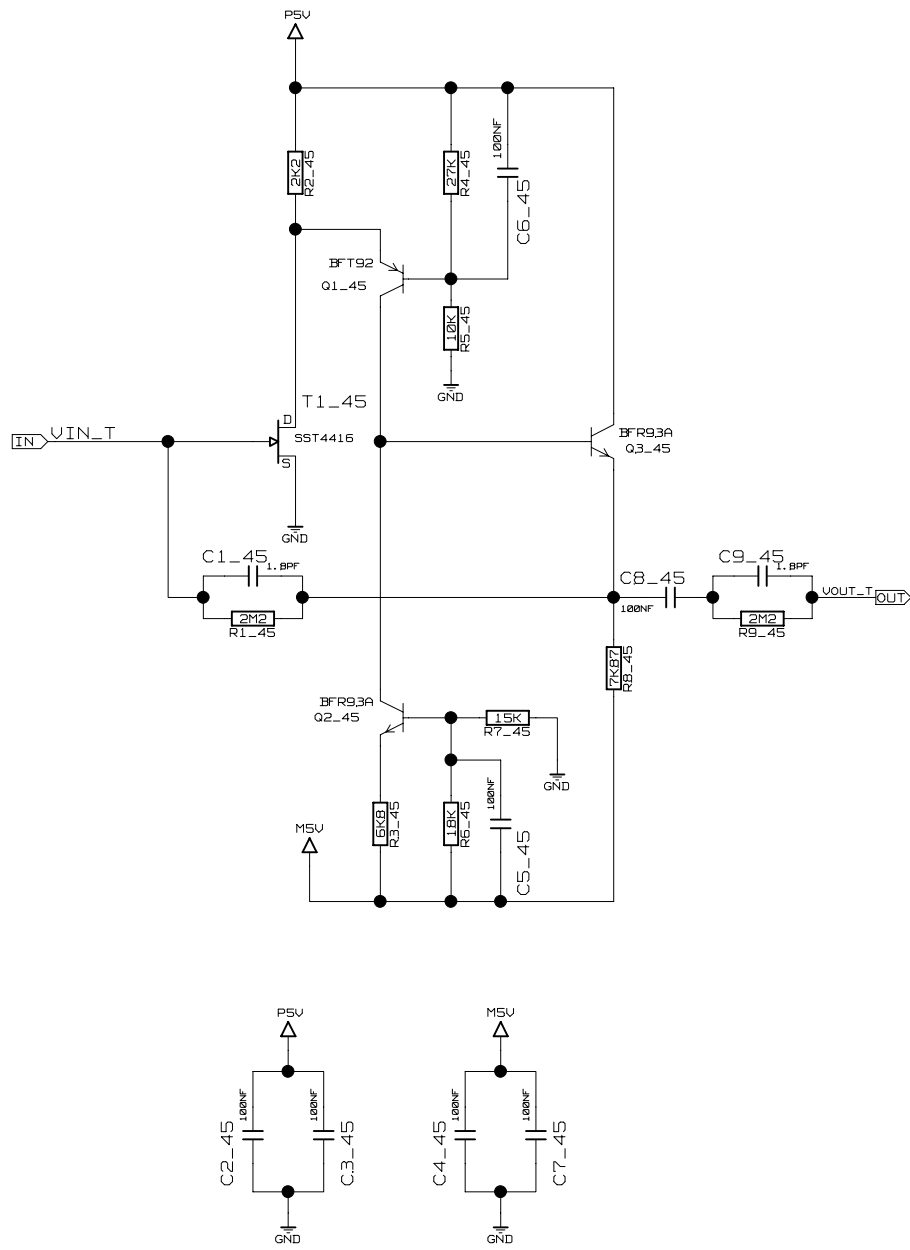
DRAWING

EDMS REF: X	VERSION: X	PCB: X	SYSTEM: X
REF:50024012		TITLE: CHANNEL	
 IT/CE	DIV.EPH_LEP_DTA	ABBREU: CH	PAGE:
	1211 GENEVA 23	LAST_MODIFIED=Fri Jun 17 11:26:35 2005	
	SWITZERLAND	DESSIN: A. JUNIQUE	ETUDE:C.ENGSTER

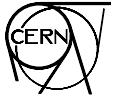


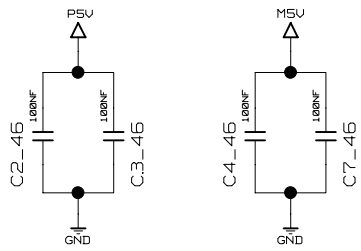
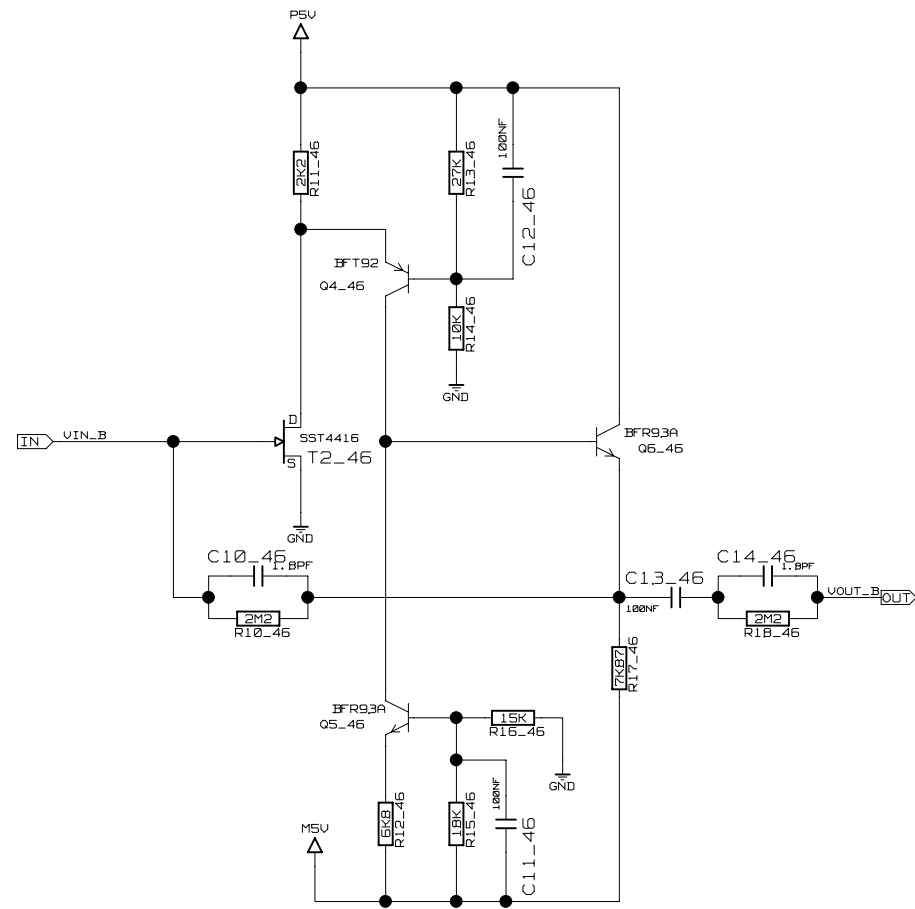
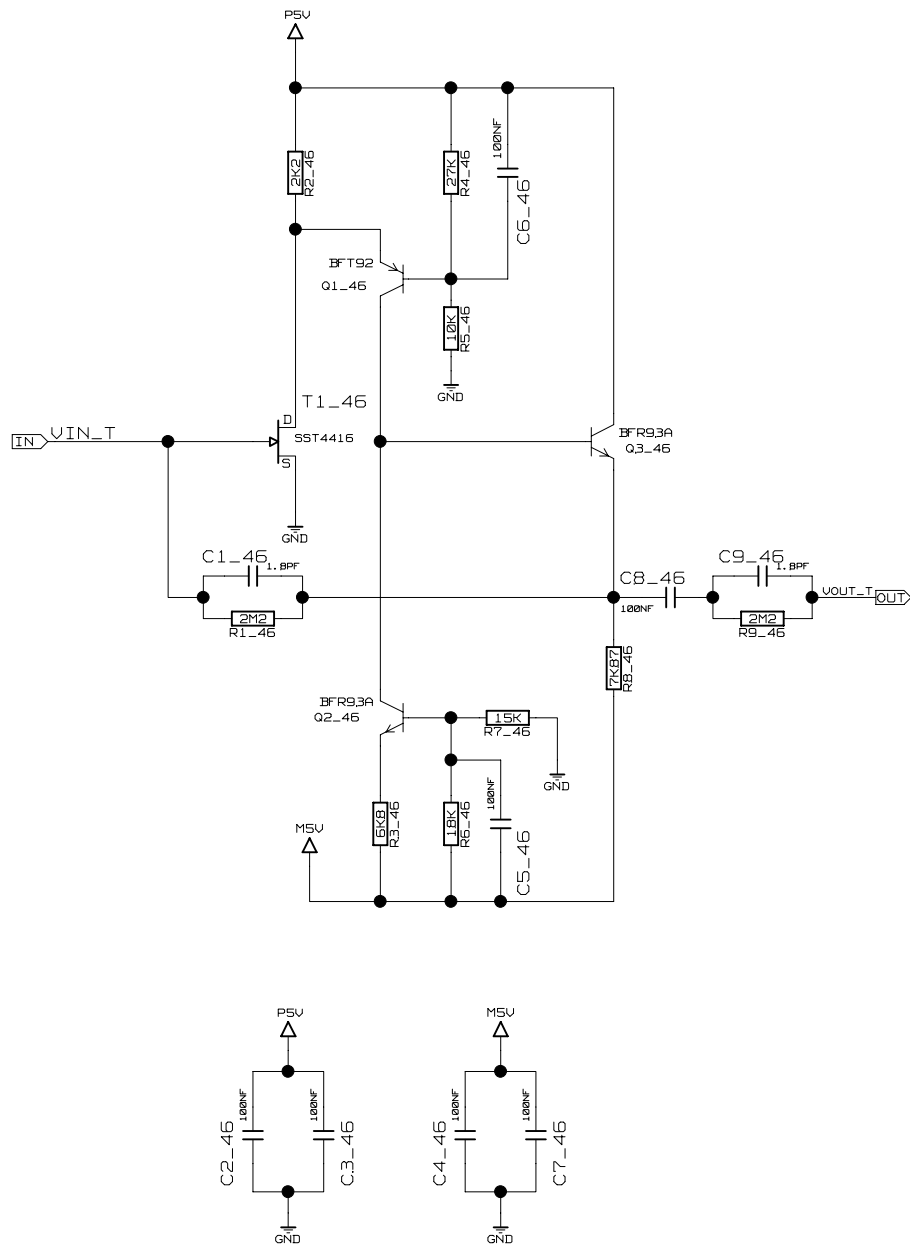
DRAWING

EDMS REF: X	VERSION: X	PCB: X	SYSTEM: X
REF:50024012		TITLE: CHANNEL	
 IT/CE	DIV.EPH_EP_DTA	ABBREU: CH	PAGE:
	1211 GENEVA 23	LAST_MODIFIED=Fri Jun 17 11:26:35 2005	
	SWITZERLAND	DESSIN: A. JUNIQUE	ETUDE:C.ENGSTER
		DATE: 21/04/05	

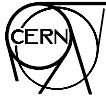


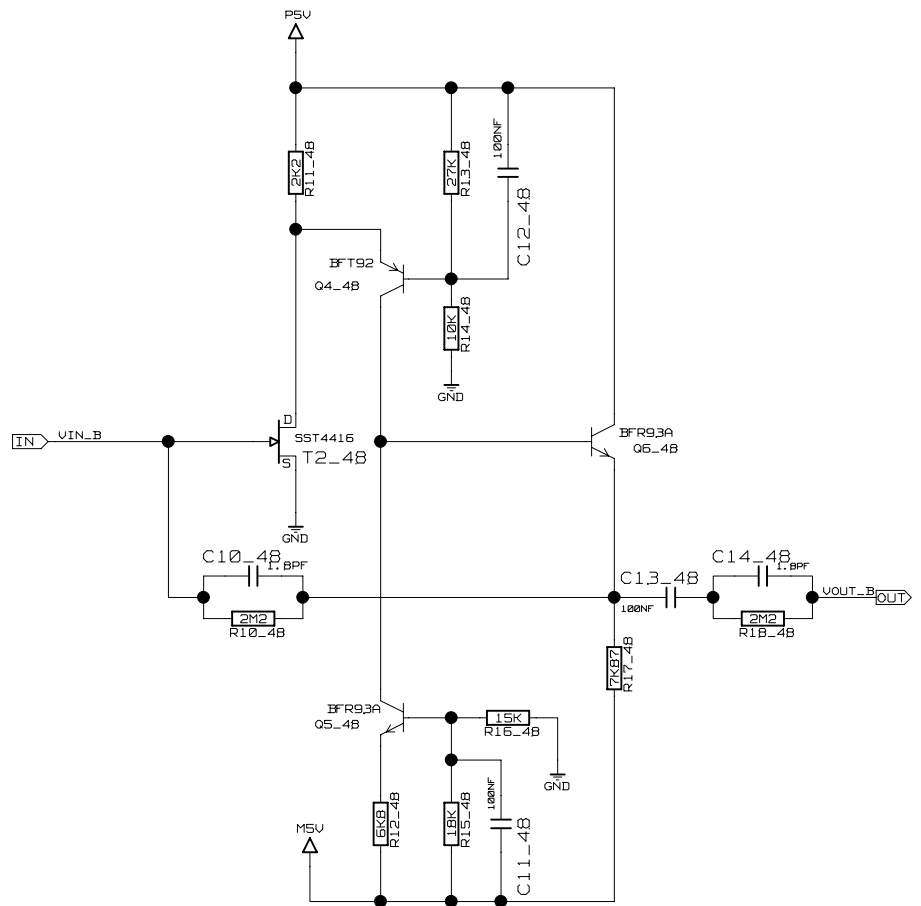
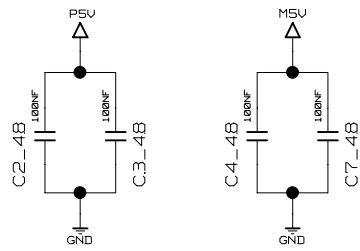
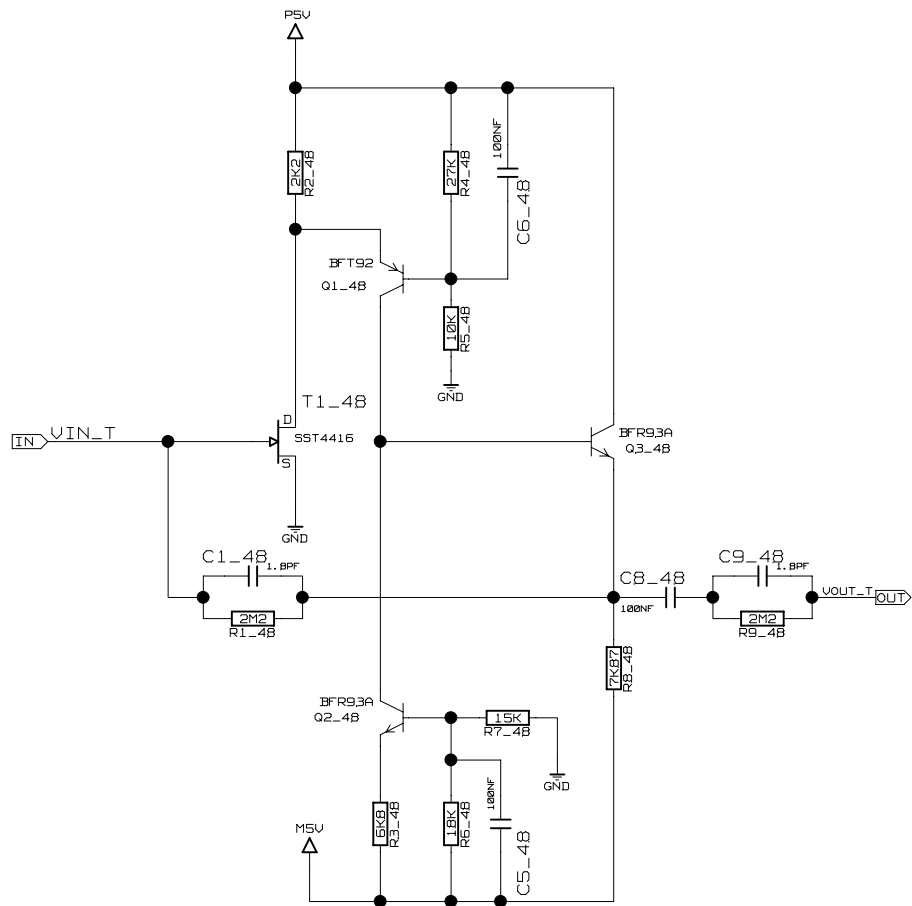
DRAWING

EDMS REF: X	VERSION: X	PCB: X	SYSTEM: X
REF:50024012		TITLE: CHANNEL	
 IT/CE	DIV.EPH_LEP_DTA	ABBREU: CH	PAGE:
	1211 GENEVA 23	LAST_MODIFIED=Fri Jun 17 11:26:35 2005	
	SWITZERLAND	DESSIN: A. JUNIQUE	ETUDE:C.ENGSTER
		DATE: 21/04/05	




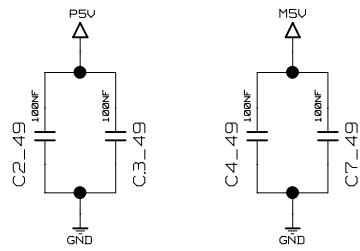
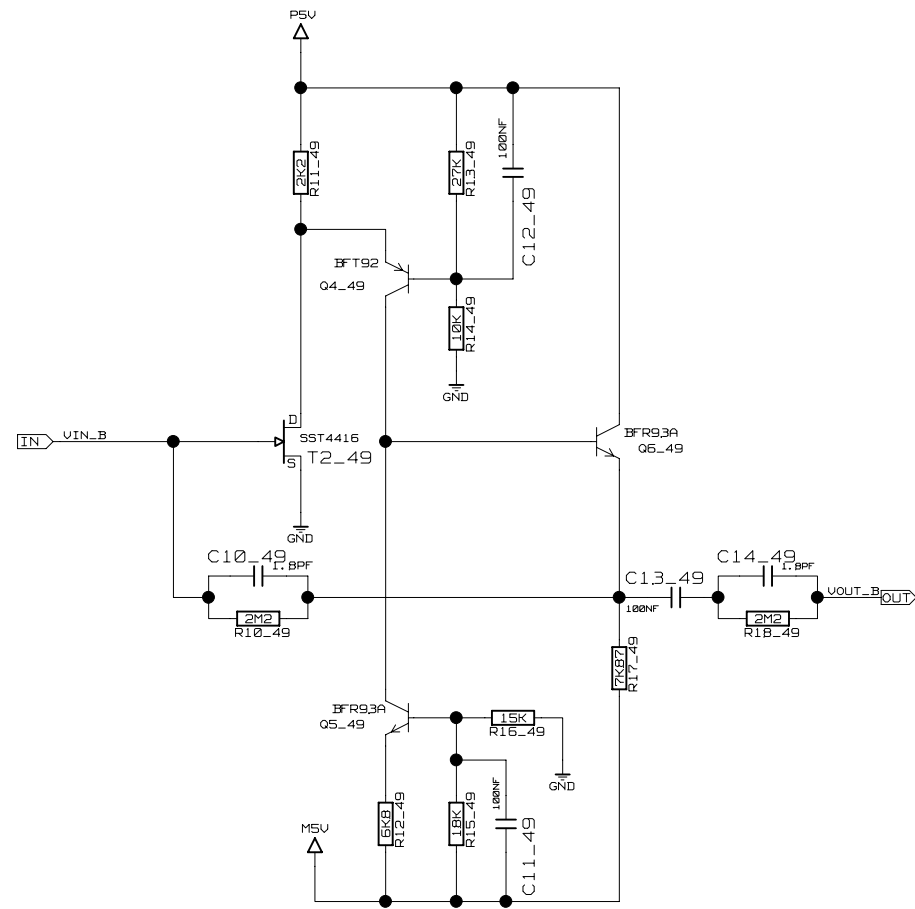
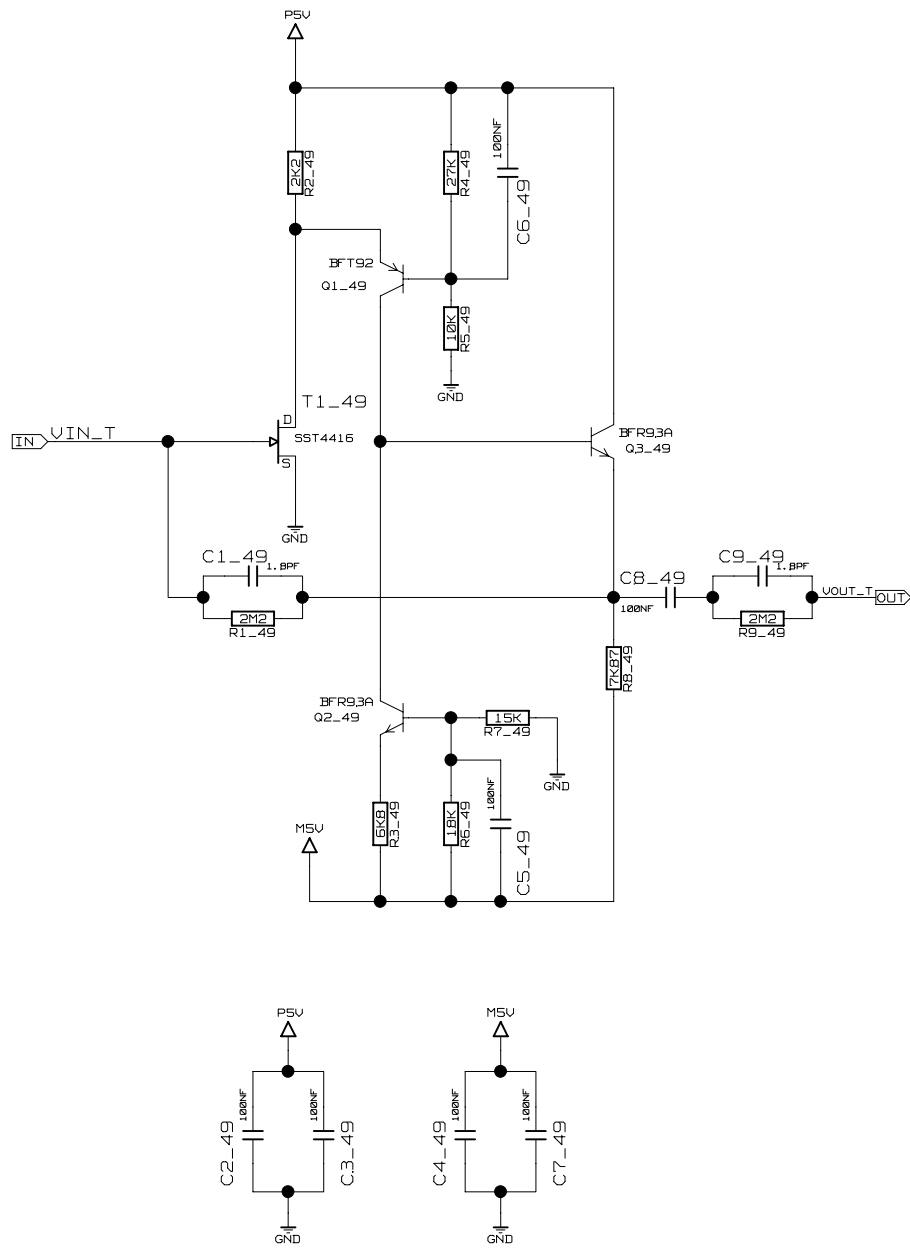
DRAWING

EDMS REF: X	VERSION: X	PCB: X	SYSTEM: X
REF:50024012		TITLE: CHANNEL	
 IT/CE	DIV.EPH_LEP_DTA	ABBREU: CH	PAGE:
	1211 GENEVA 23	LAST_MODIFIED=Fri Jun 17 11:26:35 2005	
	SWITZERLAND	DESSIN: A. JUNIQUE	ETUDE:C.ENGSTER




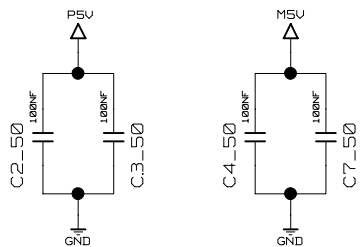
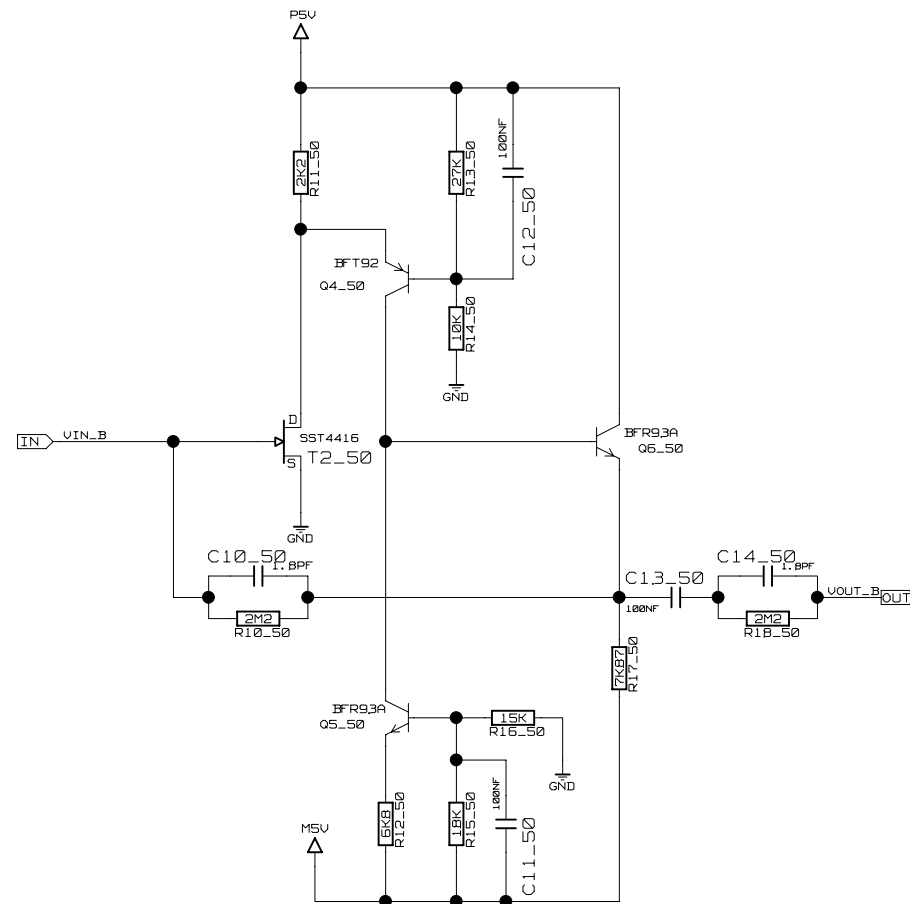
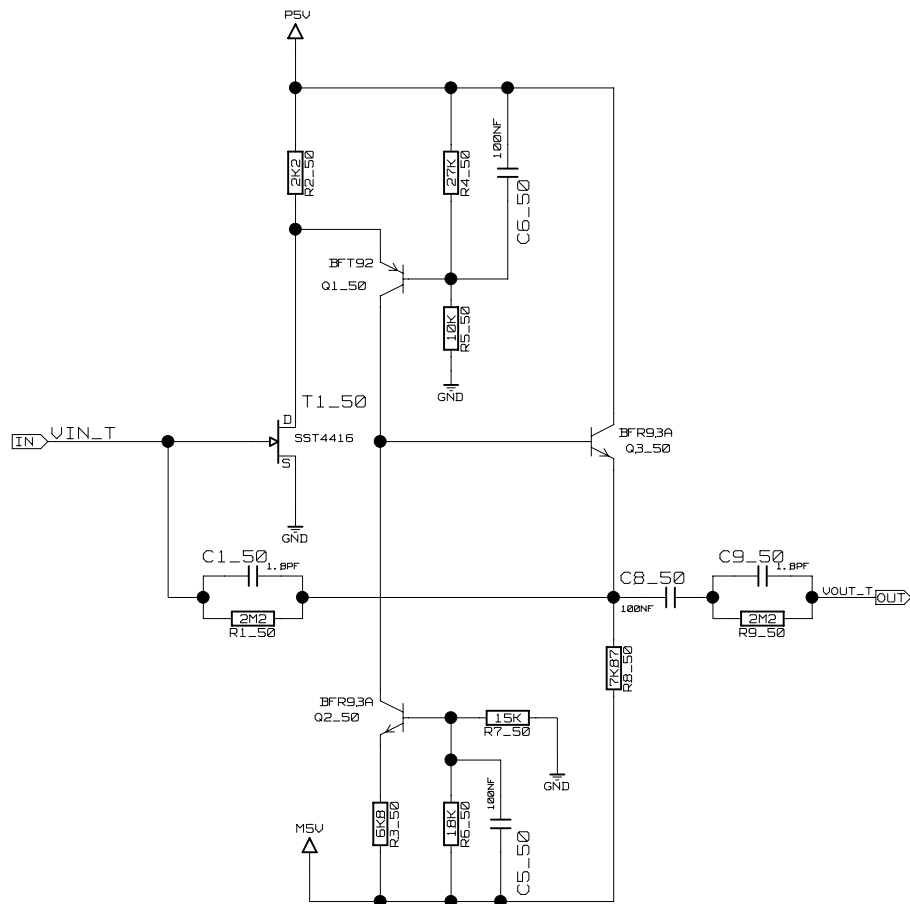
DRAWING

EDMS REF: X	VERSION: X	PCB: X	SYSTEM: X
REF:50024012		TITLE: CHANNEL	
 DIV.EPH_LEP_DTA 1211 GENEVA 23 SWITZERLAND	ABBREU: CH	PAGE:	
	LAST_MODIFIED=Fri Jun 17 11:26:35 2005		
	DESSIN: A. JUNIQUE	ETUDE:C.ENGSTER	DATE:21/04/05

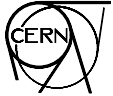


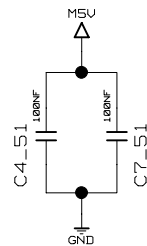
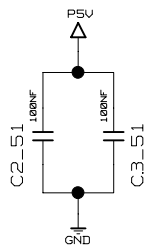
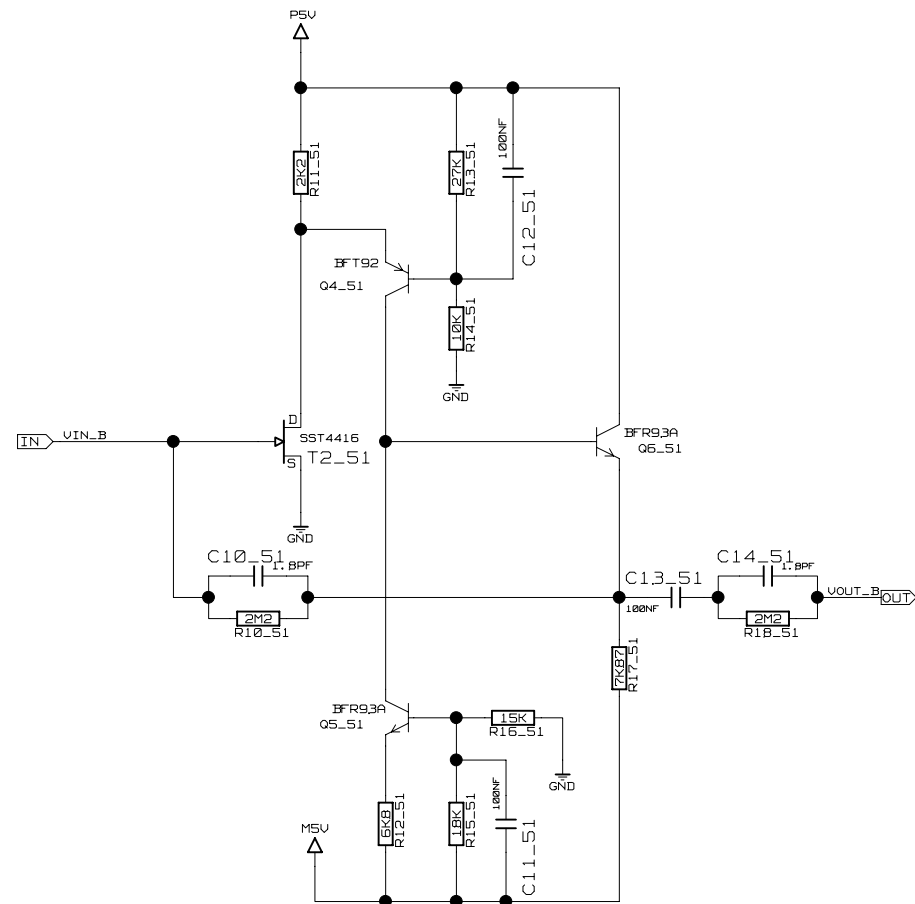
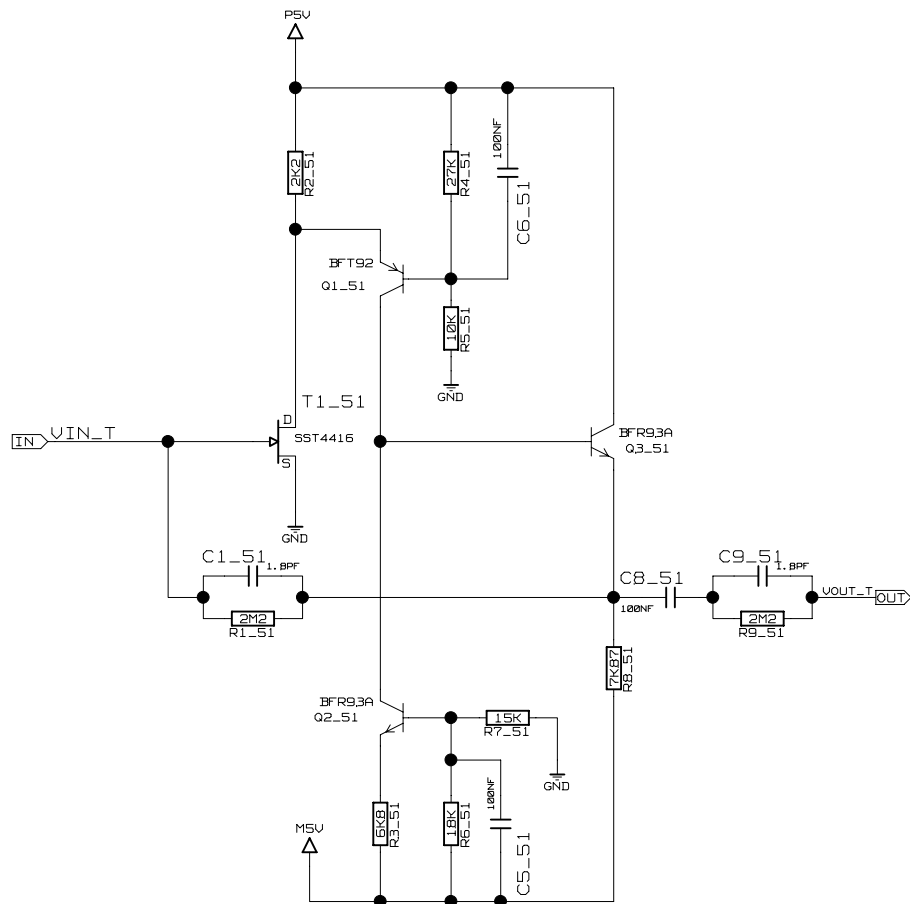
DRAWING

EDMS REF: X	VERSION: X	PCB: X	SYSTEM: X
REF:50024012		TITLE: CHANNEL	
 IT/CE	DIV.EPH_LEP_DTA	ABBREU: CH	PAGE:
	1211 GENEVA 23	LAST_MODIFIED=Fri Jun 17 11:26:35 2005	
	SWITZERLAND	DESSIN: A. JUNIQUE	ETUDE:C. ENGSTER

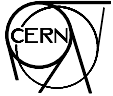


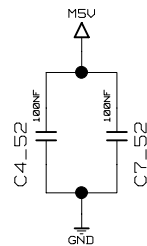
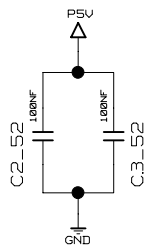
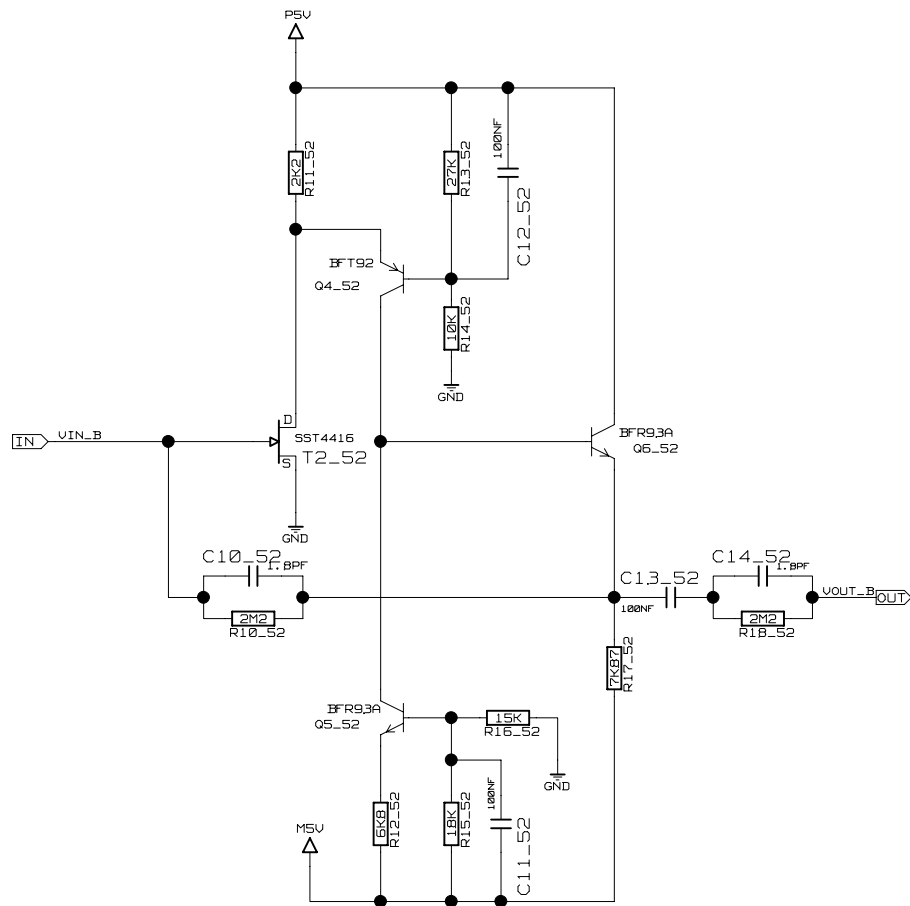
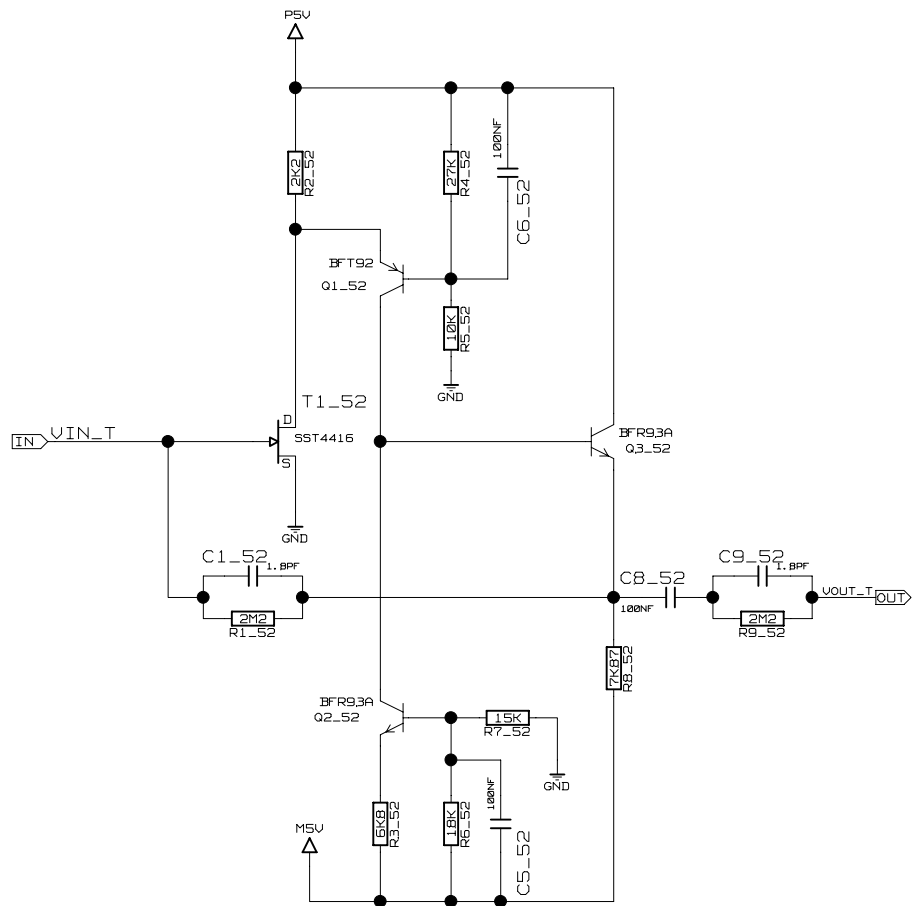
DRAWING

EDMS REF: X	VERSION: X	PCB: X	SYSTEM: X
REF:50024012		TITLE: CHANNEL	
 IT/CE	DIV.EPH_LEP_DTA	ABBREU: CH	PAGE:
	1211 GENEVA 23	LAST_MODIFIED=Fri Jun 17 11:26:35 2005	
	SWITZERLAND	DESSIN: A. JUNIQUE	ETUDE:C.ENGSTER
			DATE: 21/04/05

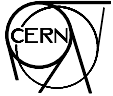


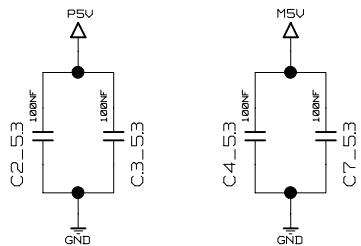
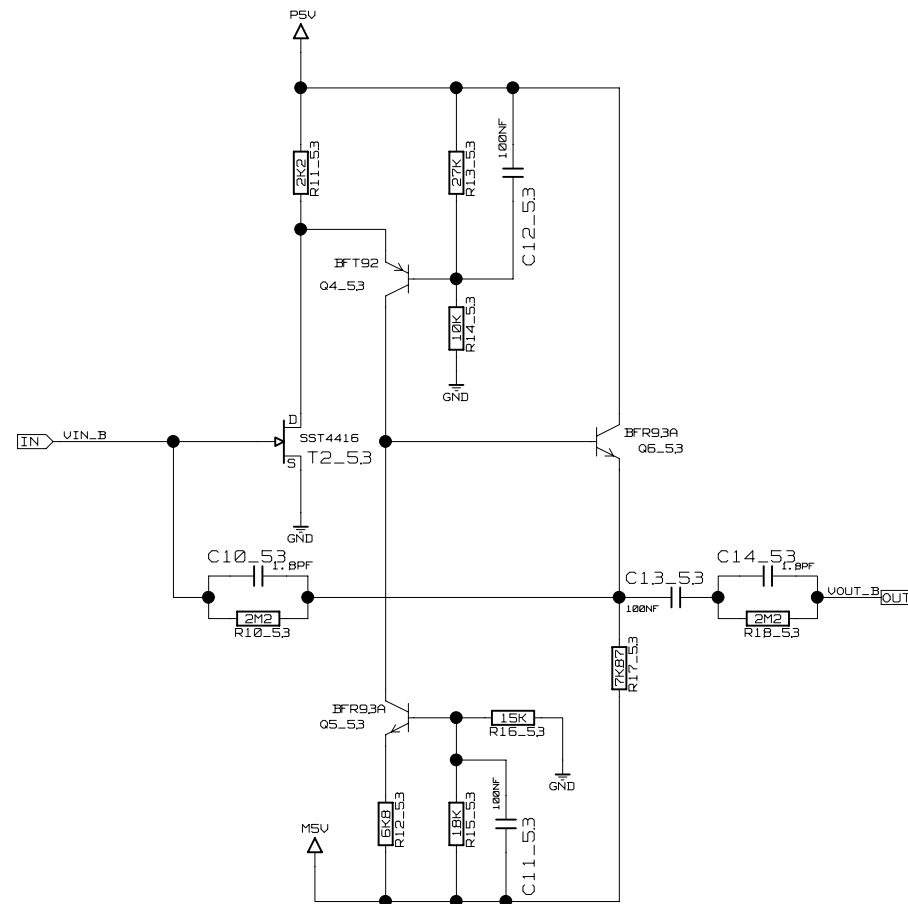
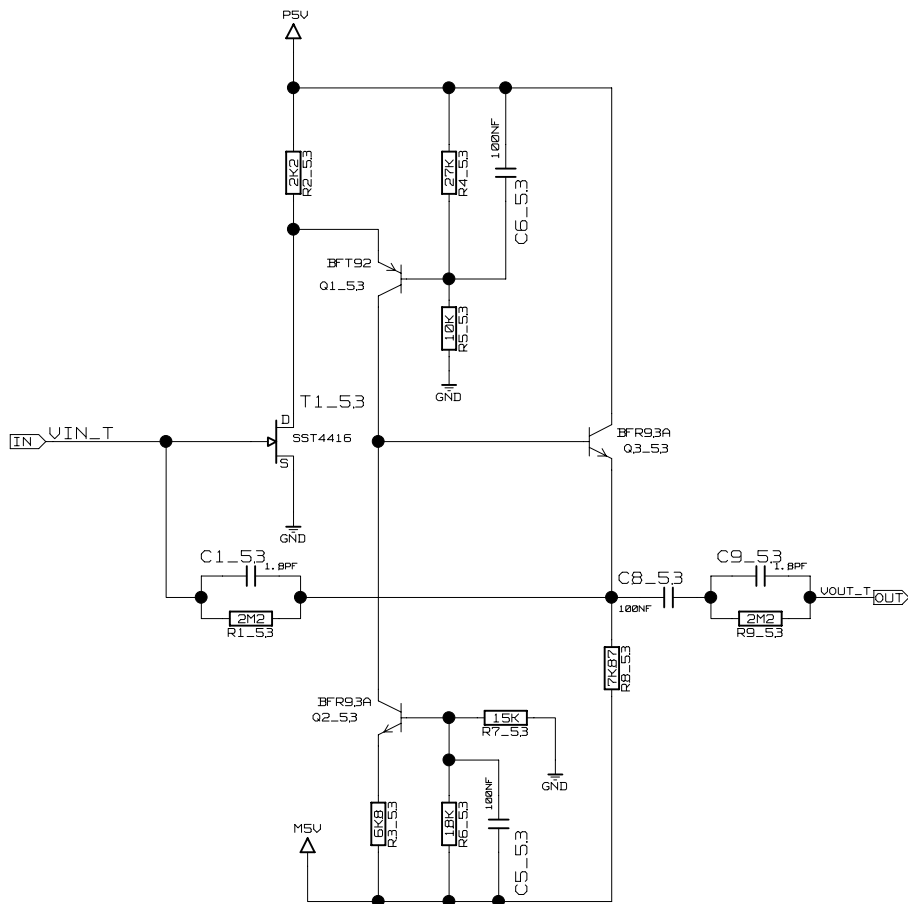
DRAWING

EDMS REF: X	VERSION: X	PCB: X	SYSTEM: X
REF:50024012		TITLE: CHANNEL	
 IT/CE	DIV.EPH_LEP_DTA	ABBREU: CH	PAGE:
	1211 GENEVA 23	LAST_MODIFIED=Fri Jun 17 11:26:35 2005	
	SWITZERLAND	DESSIN: A. JUNIQUE	ETUDE:C.ENGSTER
		DATE: 21/04/05	




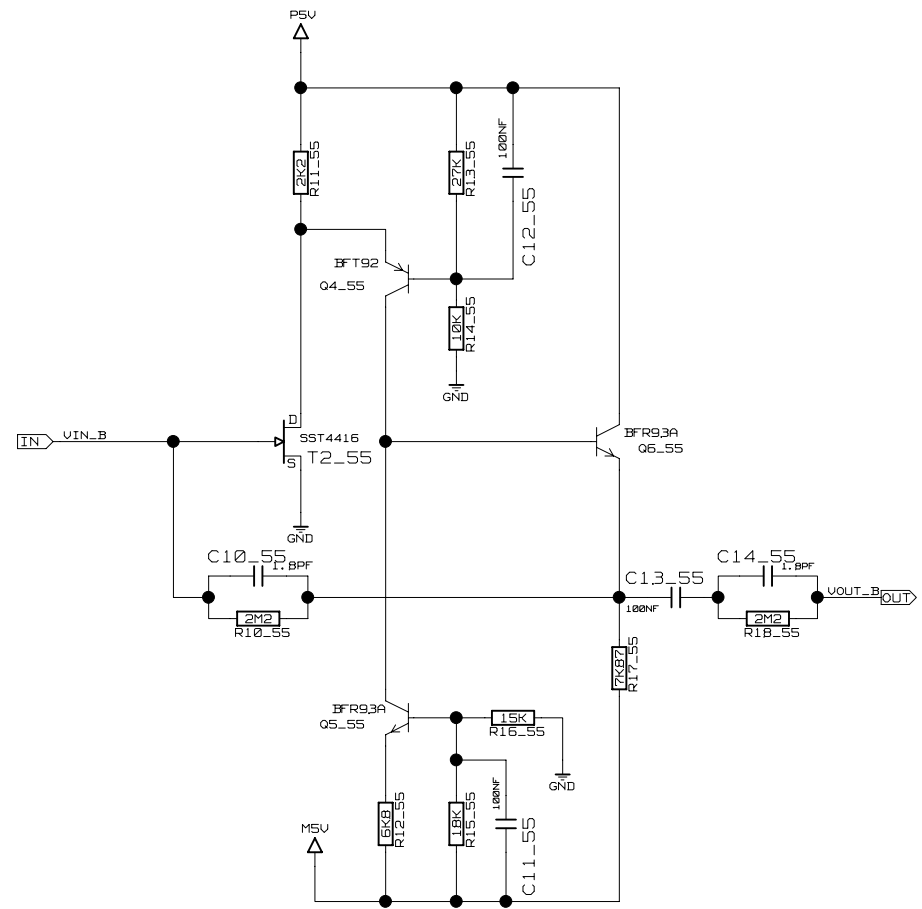
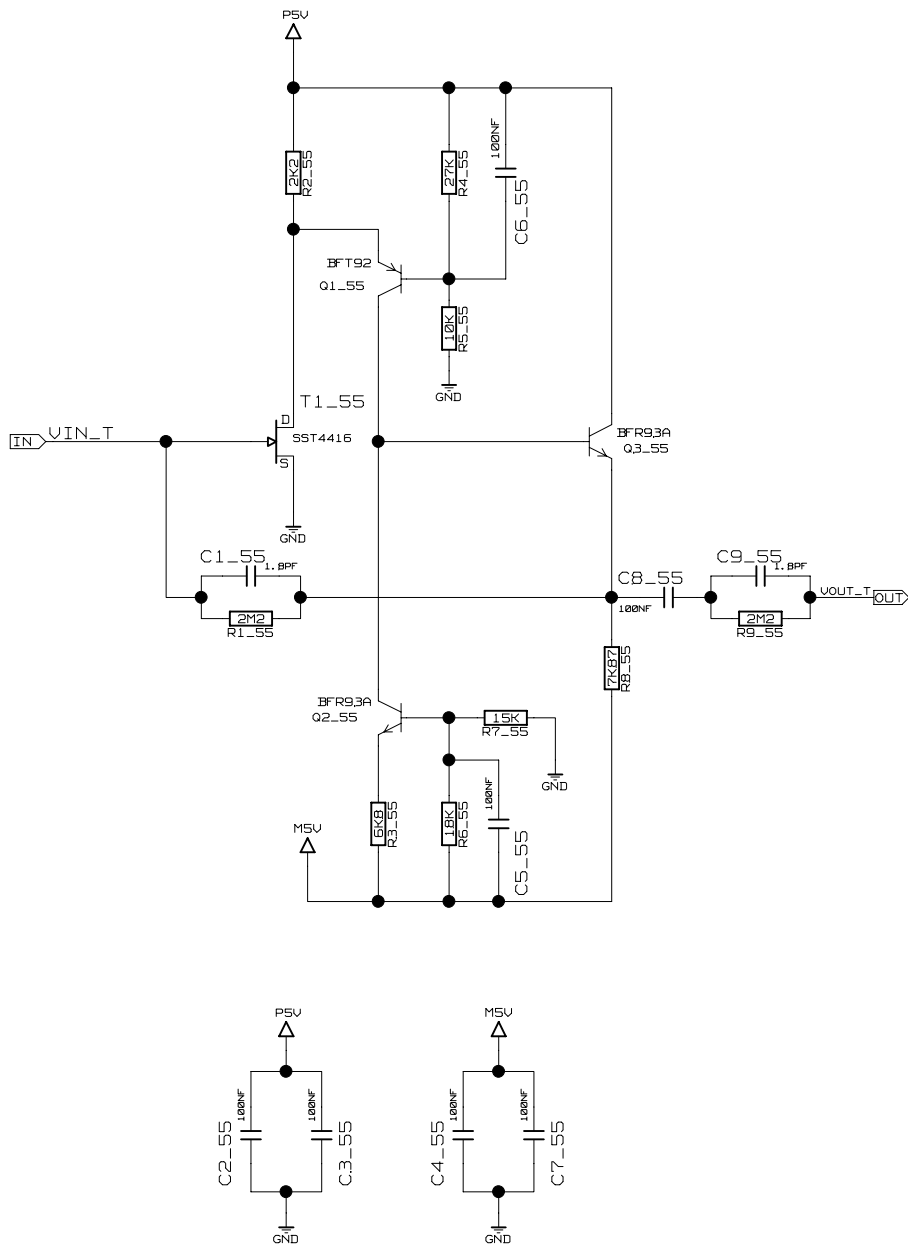
DRAWING

EDMS REF: X	VERSION: X	PCB: X	SYSTEM: X
REF:50024012		TITLE: CHANNEL	
 IT/CE	DIV.EPH_LEP_DTA	ABBREU: CH	PAGE:
	1211 GENEVA 23	LAST_MODIFIED=Fri Jun 17 11:26:35 2005	
	SWITZERLAND	DESSIN: A. JUNIQUE	ETUDE:C.ENGSTER

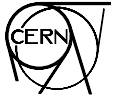


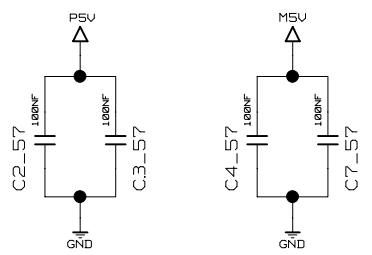
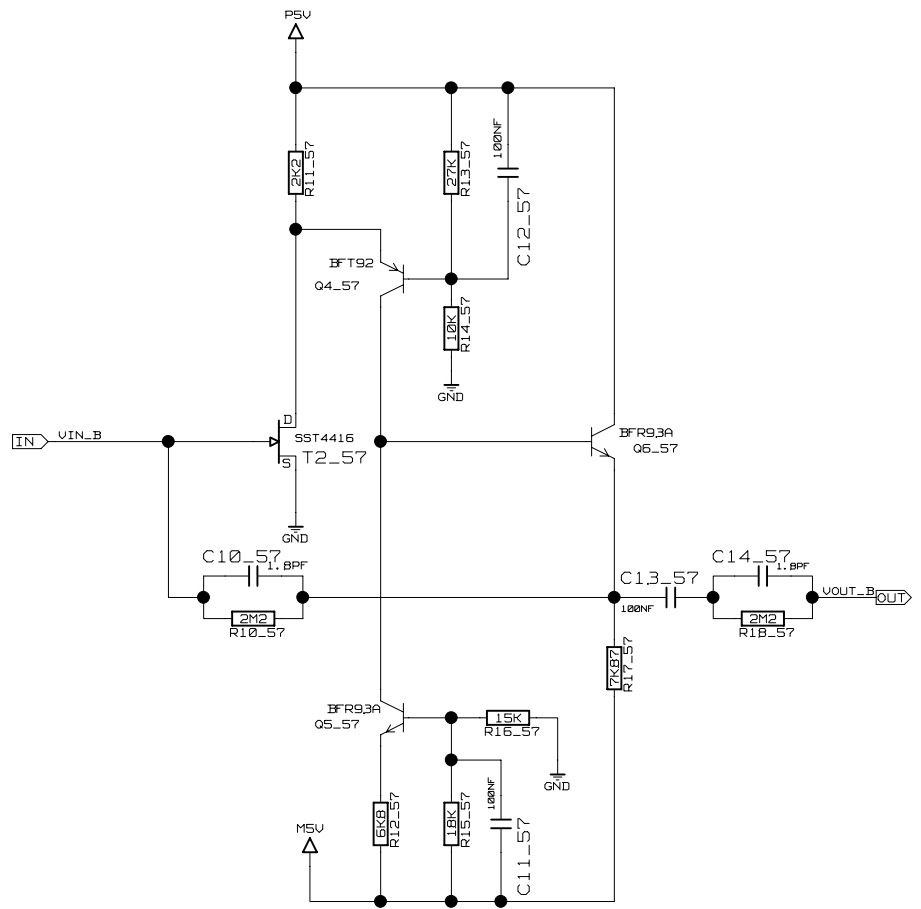
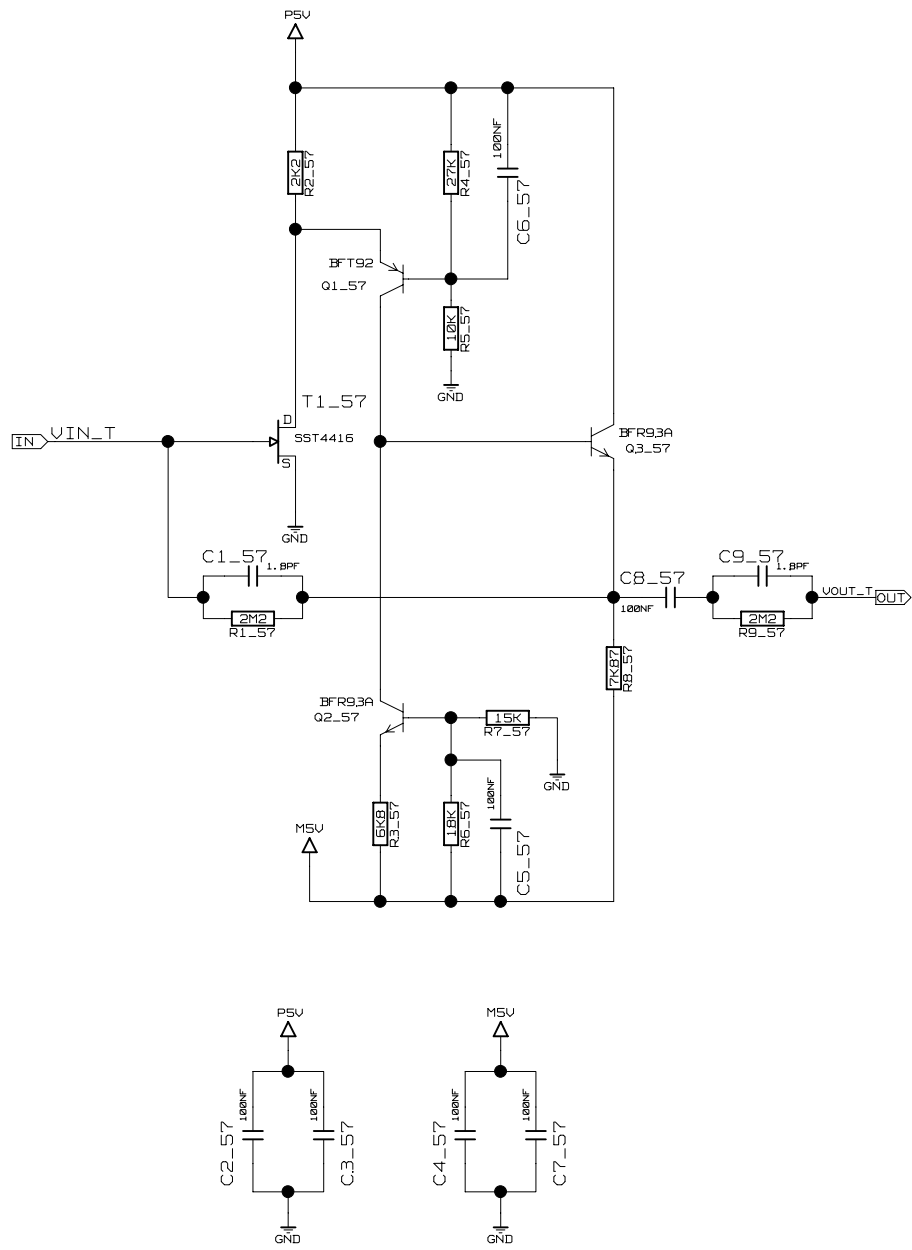
DRAWING


EDMS REF: X	VERSION: X	PCB: X	SYSTEM: X
REF:50024012		TITLE: CHANNEL	
 IT/CE	DIV.EPH_LEP_DTA	ABBREU: CH	PAGE:
	1211 GENEVA 23	LAST_MODIFIED=Fri Jun 17 11:26:35 2005	
	SWITZERLAND	DESSIN: A. JUNIQUE	ETUDE:C.ENGSTER
		DATE: 21/04/05	

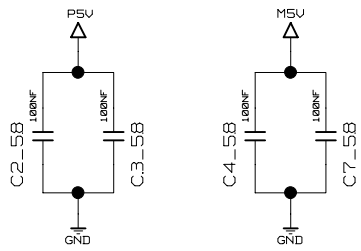
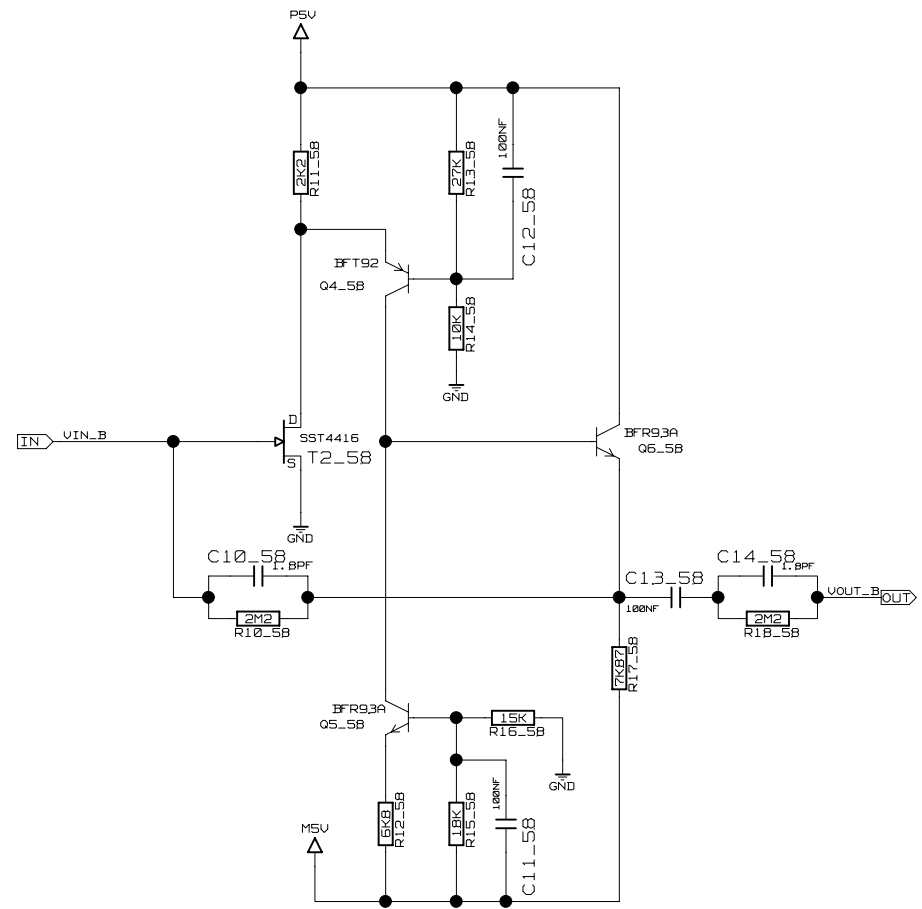
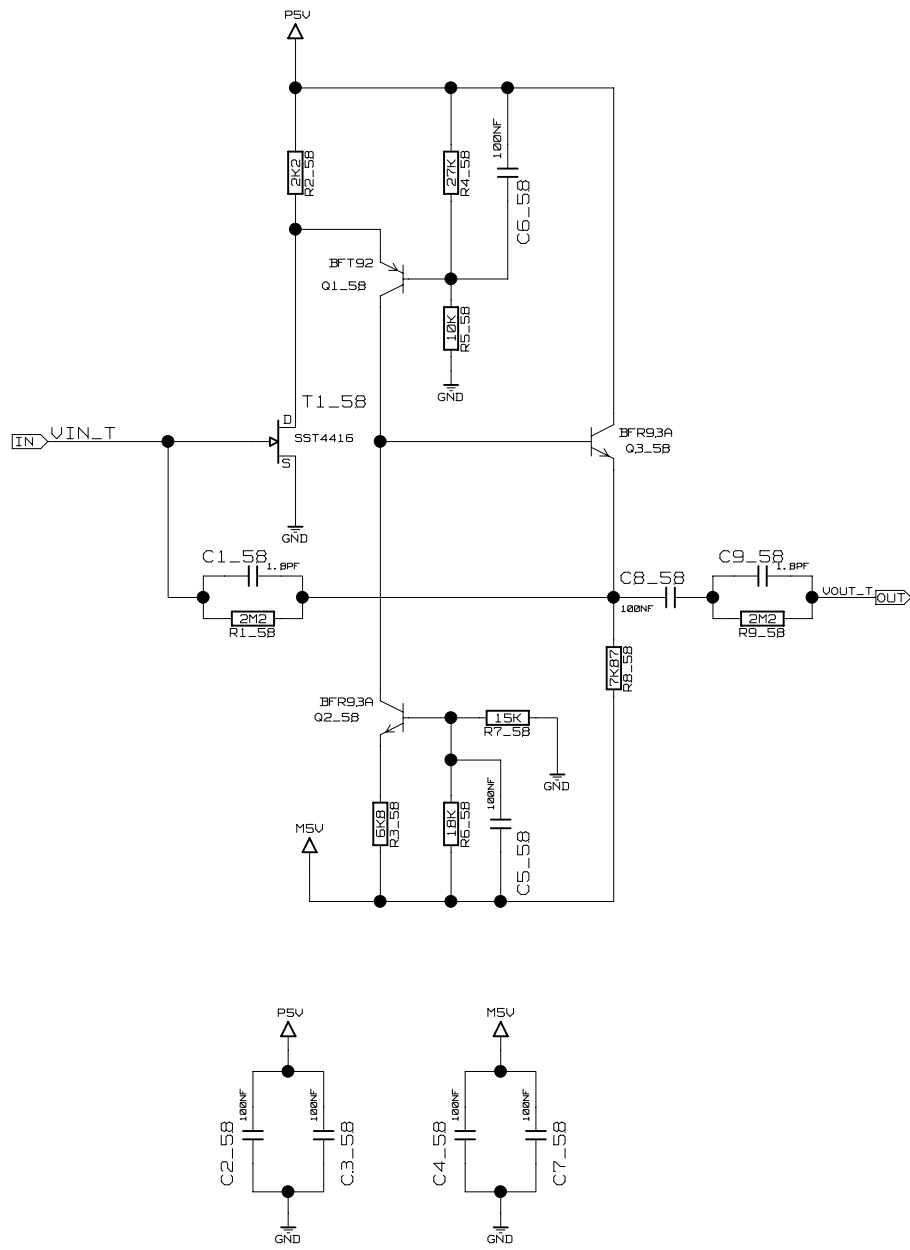


DRAWING

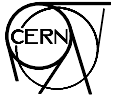
EDMS REF: X	VERSION: X	PCB: X	SYSTEM: X
REF:50024012		TITLE: CHANNEL	
 DIV.EPH_LEP_DTA 1211 GENEVA 23 SWITZERLAND	ABBREU: CH	PAGE:	
	LAST_MODIFIED=Fri Jun 17 11:26:35 2005		
	DESSIN: A. JUNIQUE	ETUDE:C.ENGSTER	DATE:21/04/05

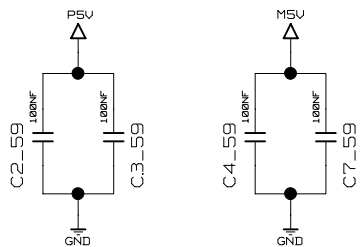
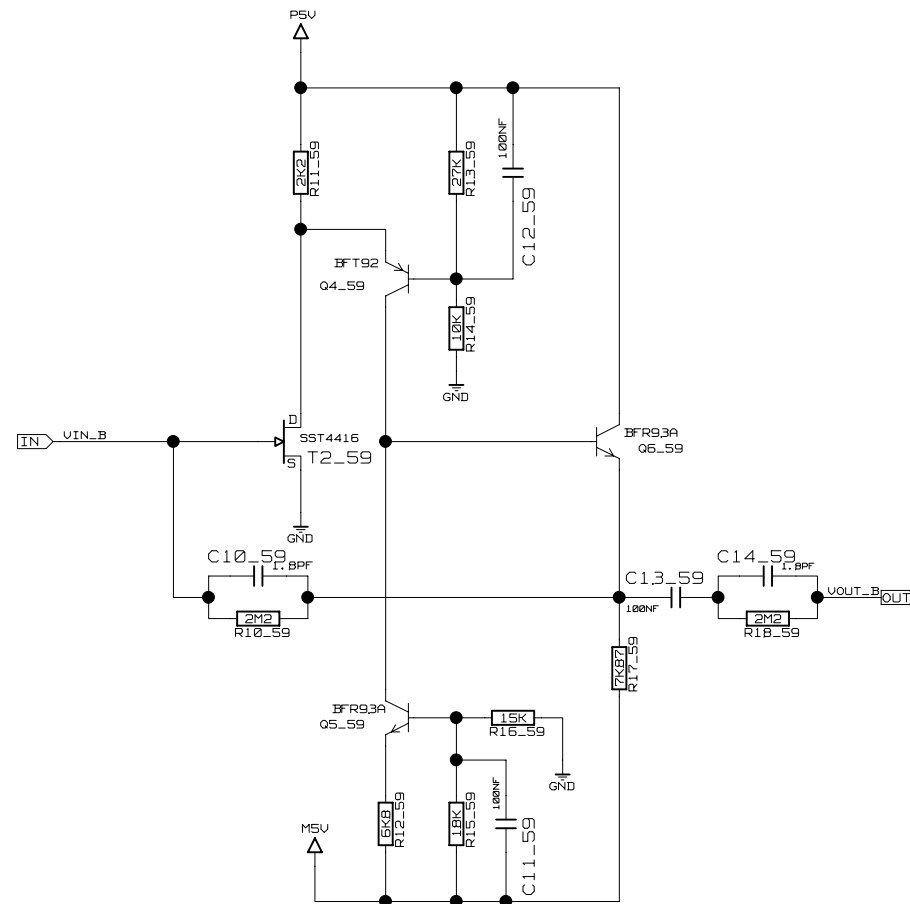
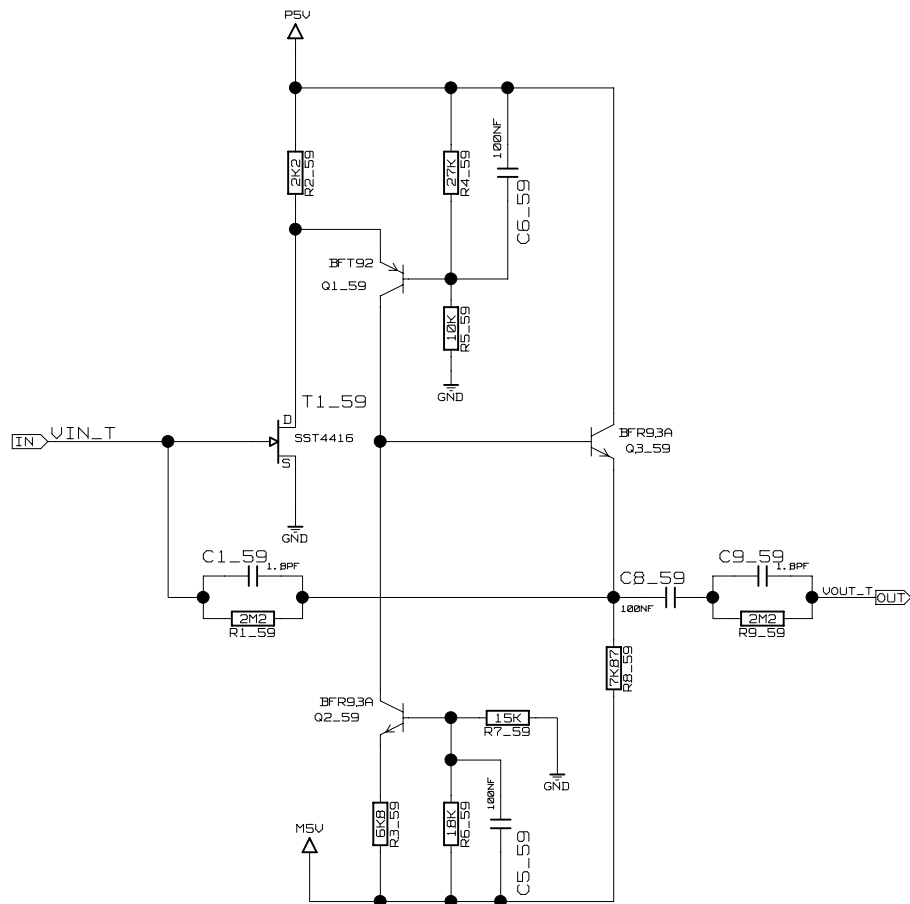


DRAWING		EDMS REF: X		VERSION: X		PCB: X		SYSTEM: X	
REF:50024012				TITLE: CHANNEL					
 IT/CE	DIV.EPH_EP_DTA			ABBREU: CH		PAGE:			
	1211 GENEVA 23			LAST_MODIFIED=Fri Jun 17 11:26:35 2005					
	SWITZERLAND			DESSIN: A. JUNIQUE		ETUDE:C. ENGSTER		DATE: 21/04/05	

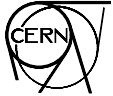


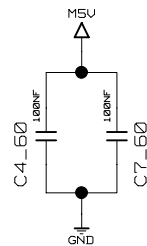
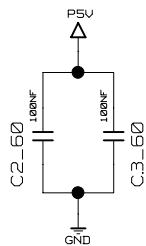
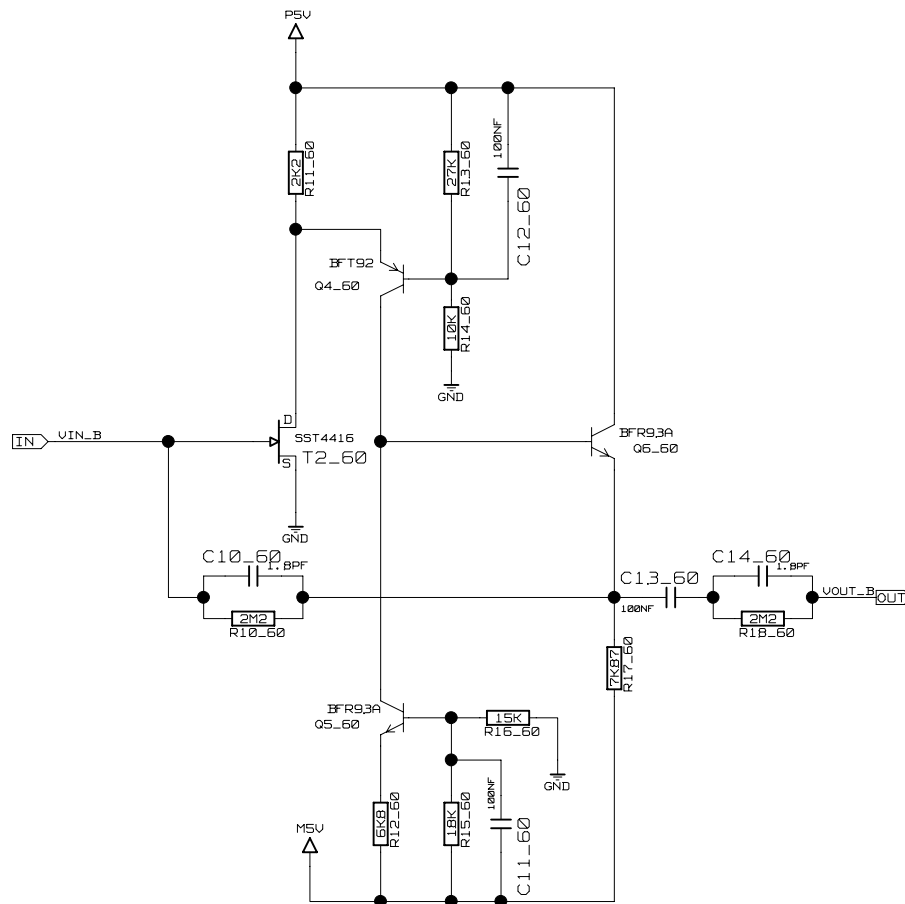
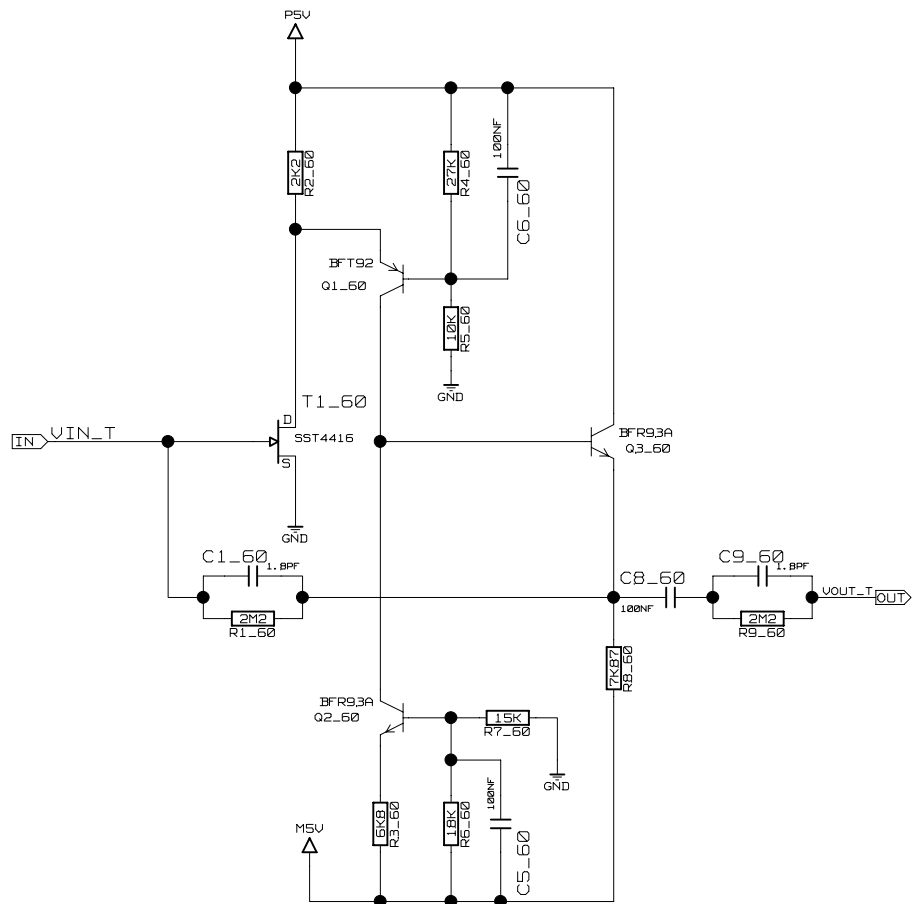
DRAWING

EDMS REF: X	VERSION: X	PCB: X	SYSTEM: X
REF:50024012		TITLE: CHANNEL	
 IT/CE	DIV.EPH_LEP_DTA	ABBREU: CH	PAGE:
	1211 GENEVA 23	LAST_MODIFIED=Fri Jun 17 11:26:35 2005	
	SWITZERLAND	DESSIN: A. JUNIQUE	ETUDE:C.ENGSTER




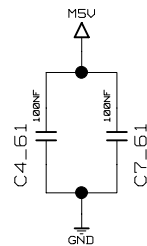
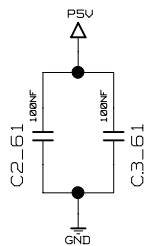
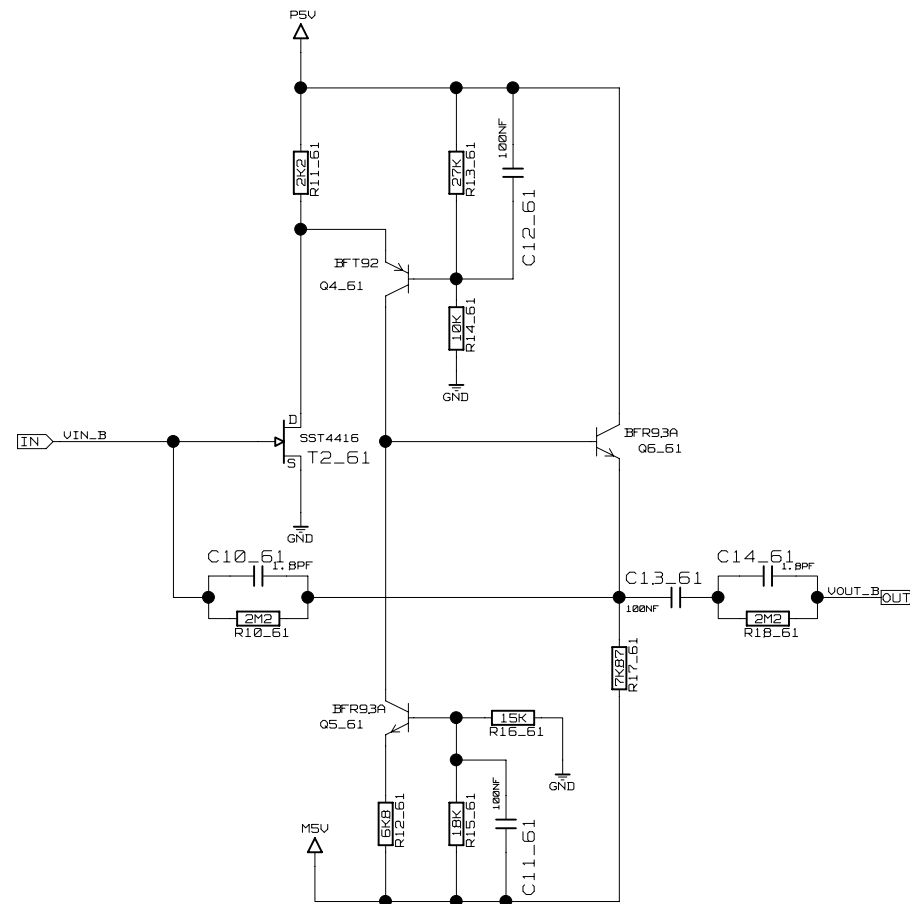
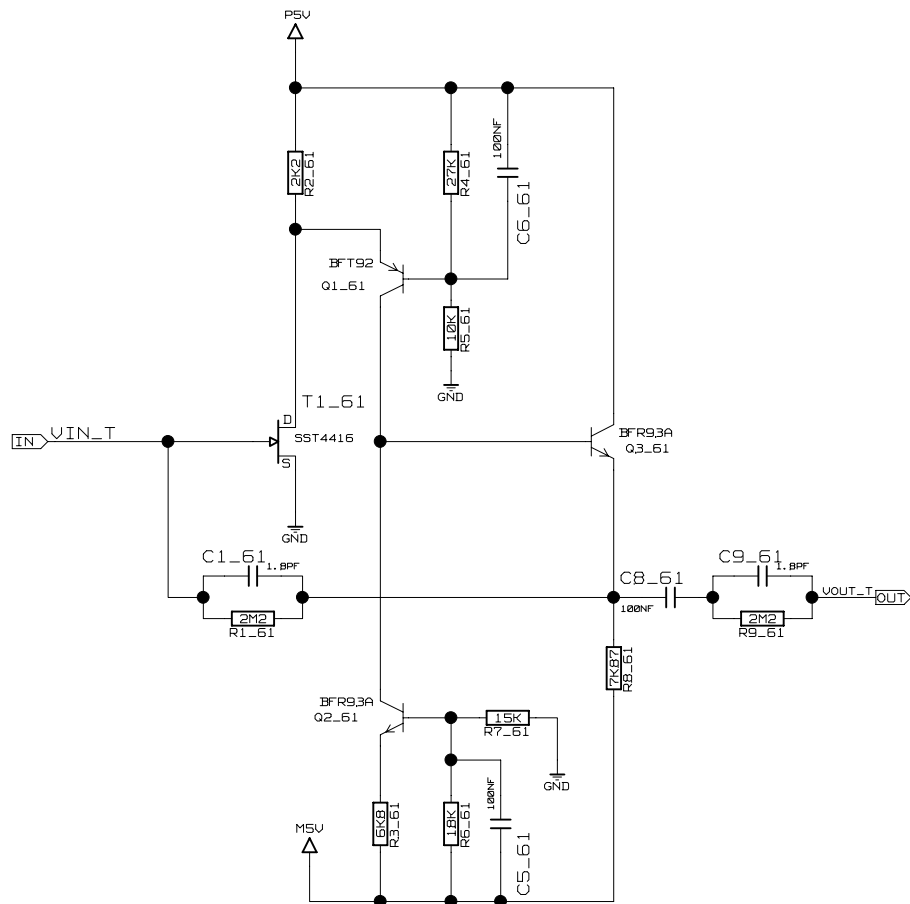
DRAWING

EDMS REF: X	VERSION: X	PCB: X	SYSTEM: X
REF:50024012		TITLE: CHANNEL	
 IT/CE	DIV.EPH_LEP_DTA	ABBREU: CH	PAGE:
	1211 GENEVA 23	LAST_MODIFIED=Fri Jun 17 11:26:35 2005	
	SWITZERLAND	DESSIN: A. JUNIQUE	ETUDE:C.ENGSTER




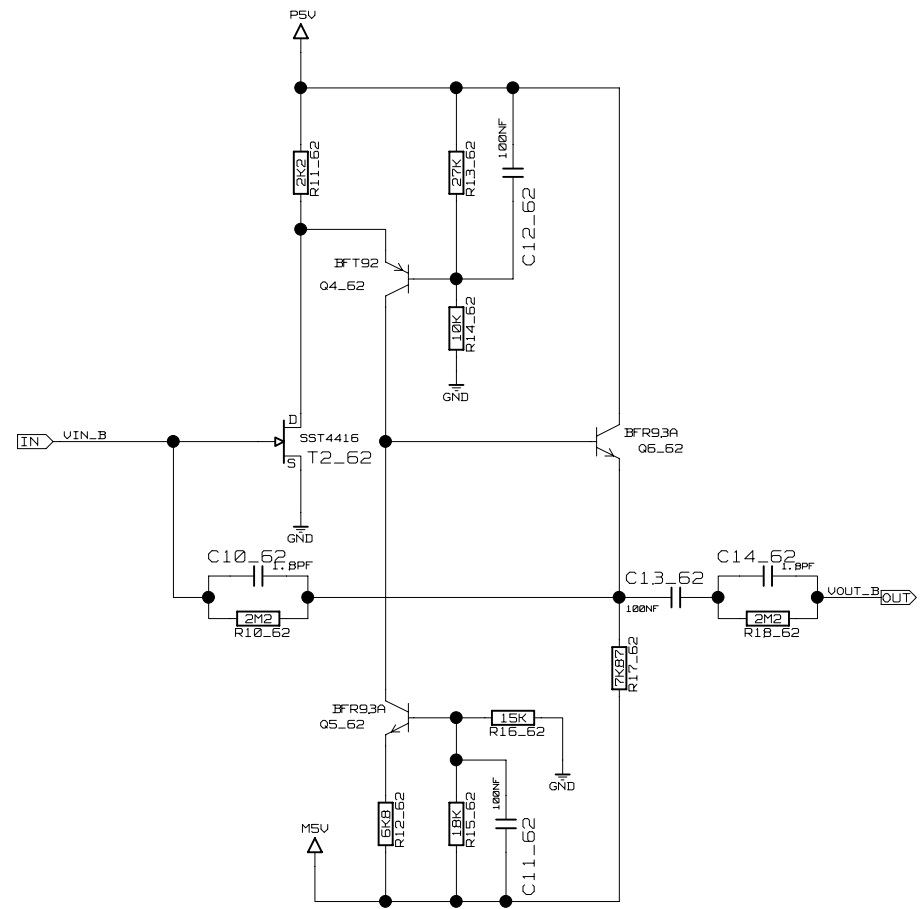
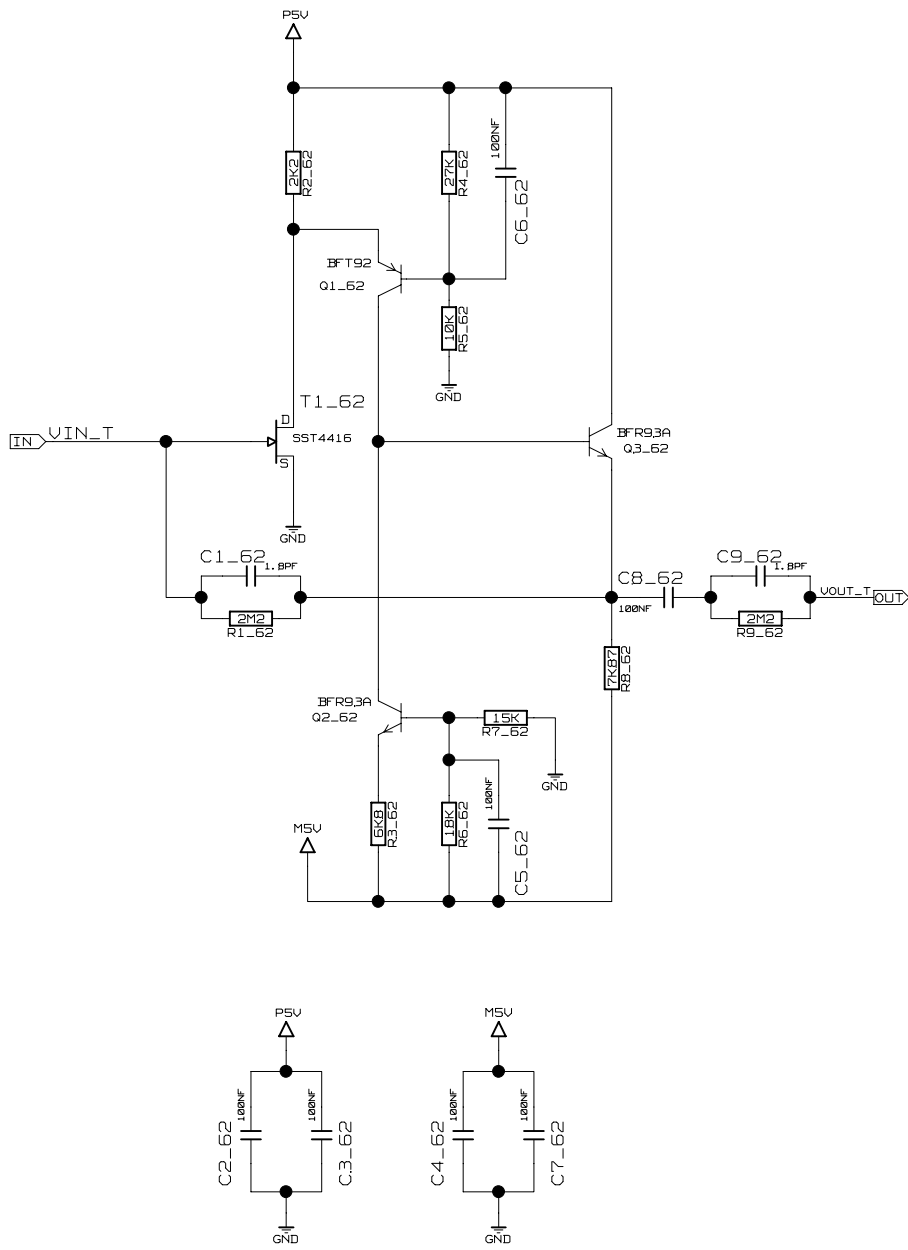
DRAWING

EDMS REF: X	VERSION: X	PCB: X	SYSTEM: X
REF:50024012		TITLE: CHANNEL	
 IT/CE	DIV.EPH_EP_DTA	ABBREU: CH	PAGE:
	1211 GENEVA 23	LAST_MODIFIED=Fri Jun 17 11:26:35 2005	
	SWITZERLAND	DESSIN: A. JUNIQUE	ETUDE:C.ENGSTER

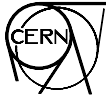


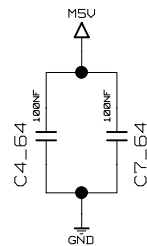
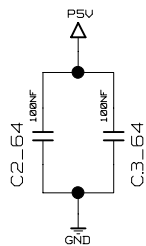
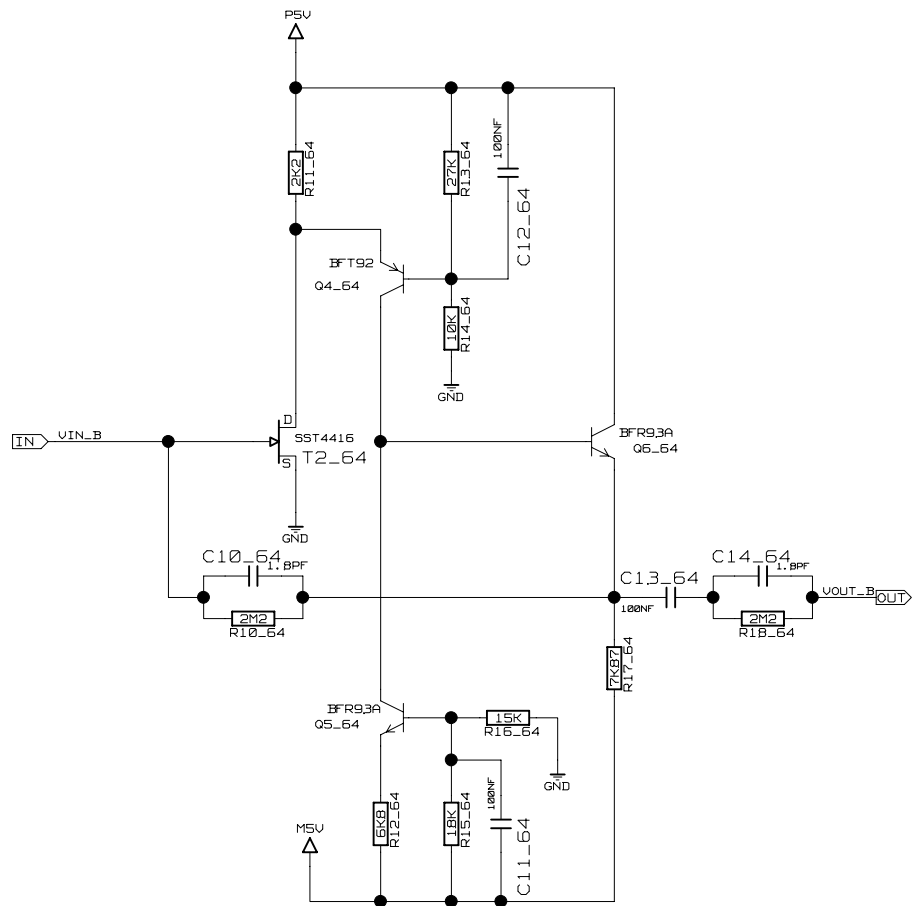
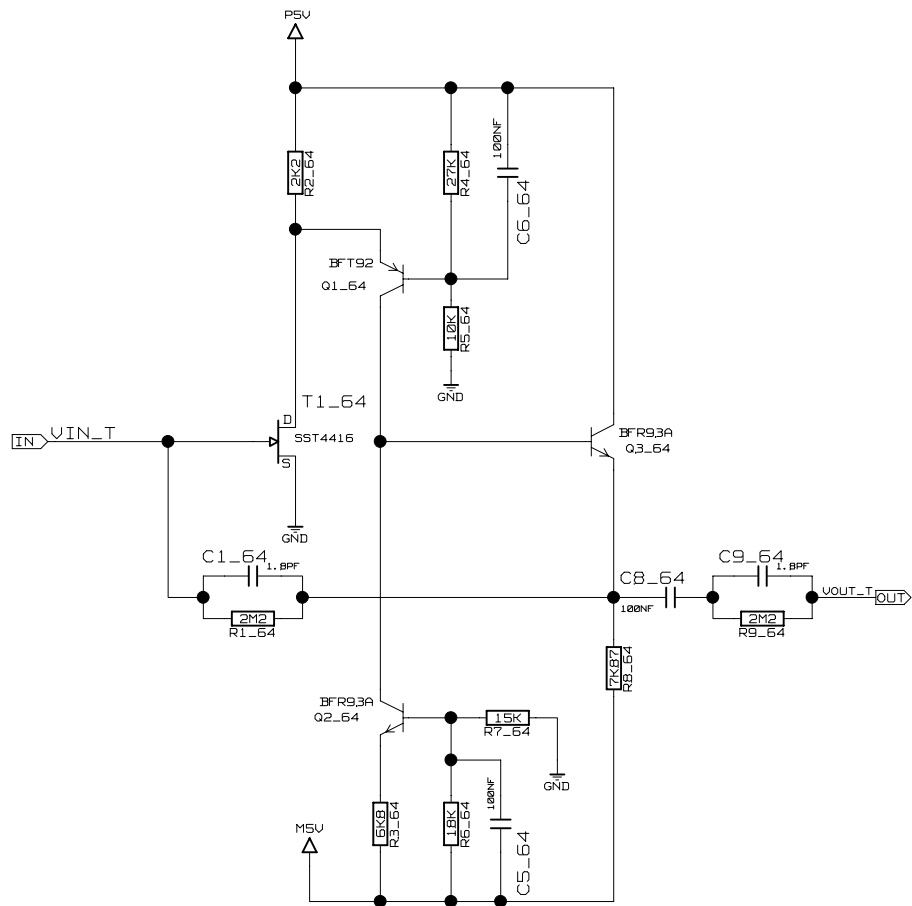
DRAWING

EDMS REF: X	VERSION: X	PCB: X	SYSTEM: X
REF:50024012		TITLE: CHANNEL	
 IT/CE	DIV.EPH_LEP_DTA	ABBREU: CH	PAGE:
	1211 GENEVA 23	LAST_MODIFIED=Fri Jun 17 11:26:35 2005	
	SWITZERLAND	DESSIN: A. JUNIQUE	ETUDE:C.ENGSTER
		DATE: 21/04/05	




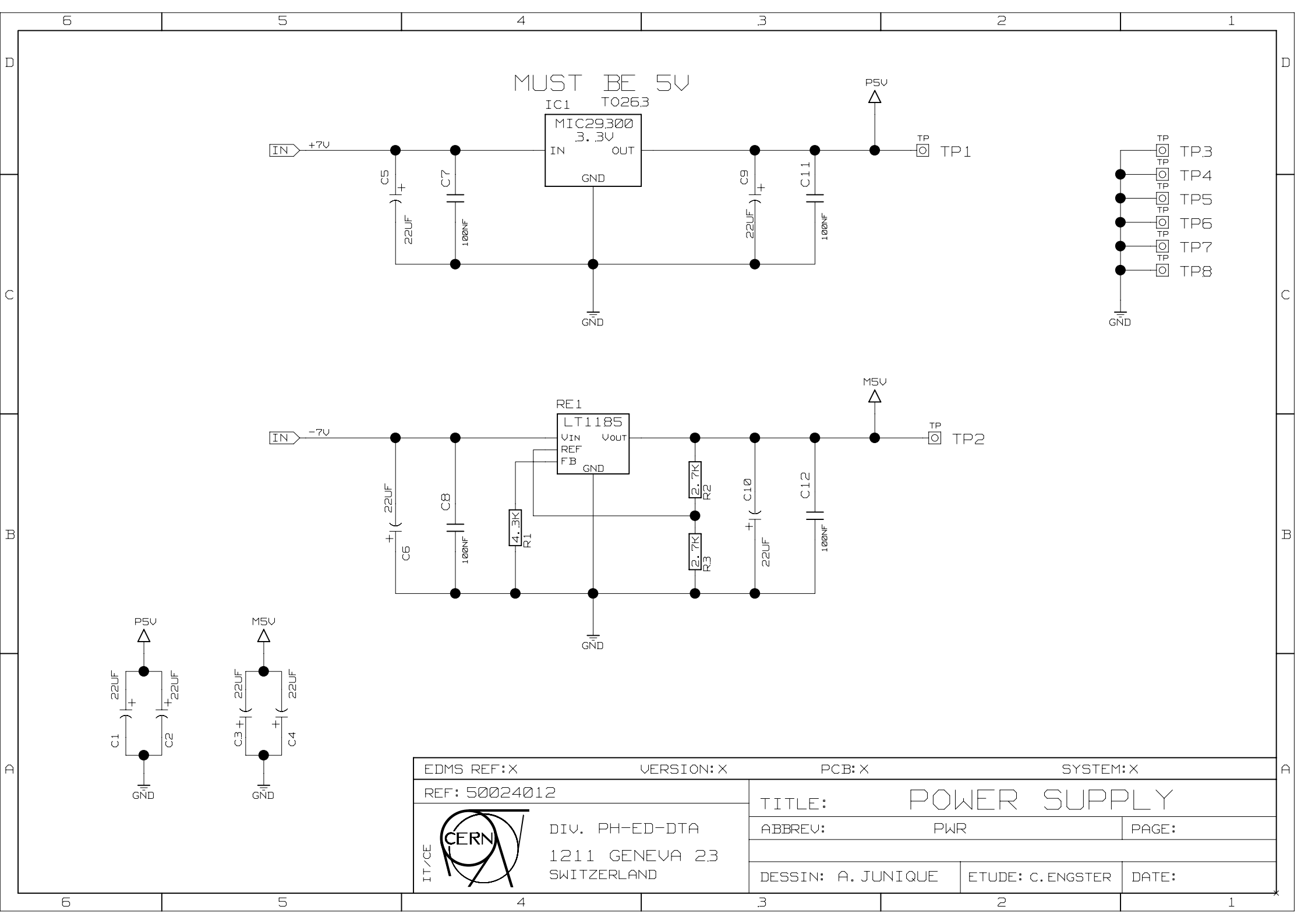
DRAWING

EDMS REF: X	VERSION: X	PCB: X	SYSTEM: X
REF:50024012		TITLE: CHANNEL	
 IT/CE	DIV.EPH_EP_DTA	ABBREU: CH	PAGE:
	1211 GENEVA 23	LAST_MODIFIED=Fri Jun 17 11:26:35 2005	
	SWITZERLAND	DESSIN: A. JUNIQUE	ETUDE:C.ENGSTER
		DATE: 21/04/05	

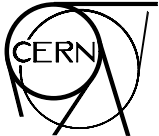


DRAWING

EDMS REF: X	VERSION: X	PCB: X	SYSTEM: X
REF:50024012		TITLE: CHANNEL	
 IT/CE	DIV.EPH_LEP_DTA	ABBREU: CH	PAGE:
	1211 GENEVA 23	LAST_MODIFIED=Fri Jun 17 11:26:35 2005	
	SWITZERLAND	DESSIN: A. JUNIQUE	ETUDE:C. ENGSTER



MUST BE 5V

EDMS REF: X	VERSION: X	PCB: X	SYSTEM: X
REF: 50024012		TITLE: POWER SUPPLY	
IT/CE  DIV. PH-ED-DTA 1211 GENEVA 23 SWITZERLAND	ABBREV: PWR	PAGE:	
	DESSIN: A. JUNIQUE	ETUDE: C. ENGSTER	DATE: