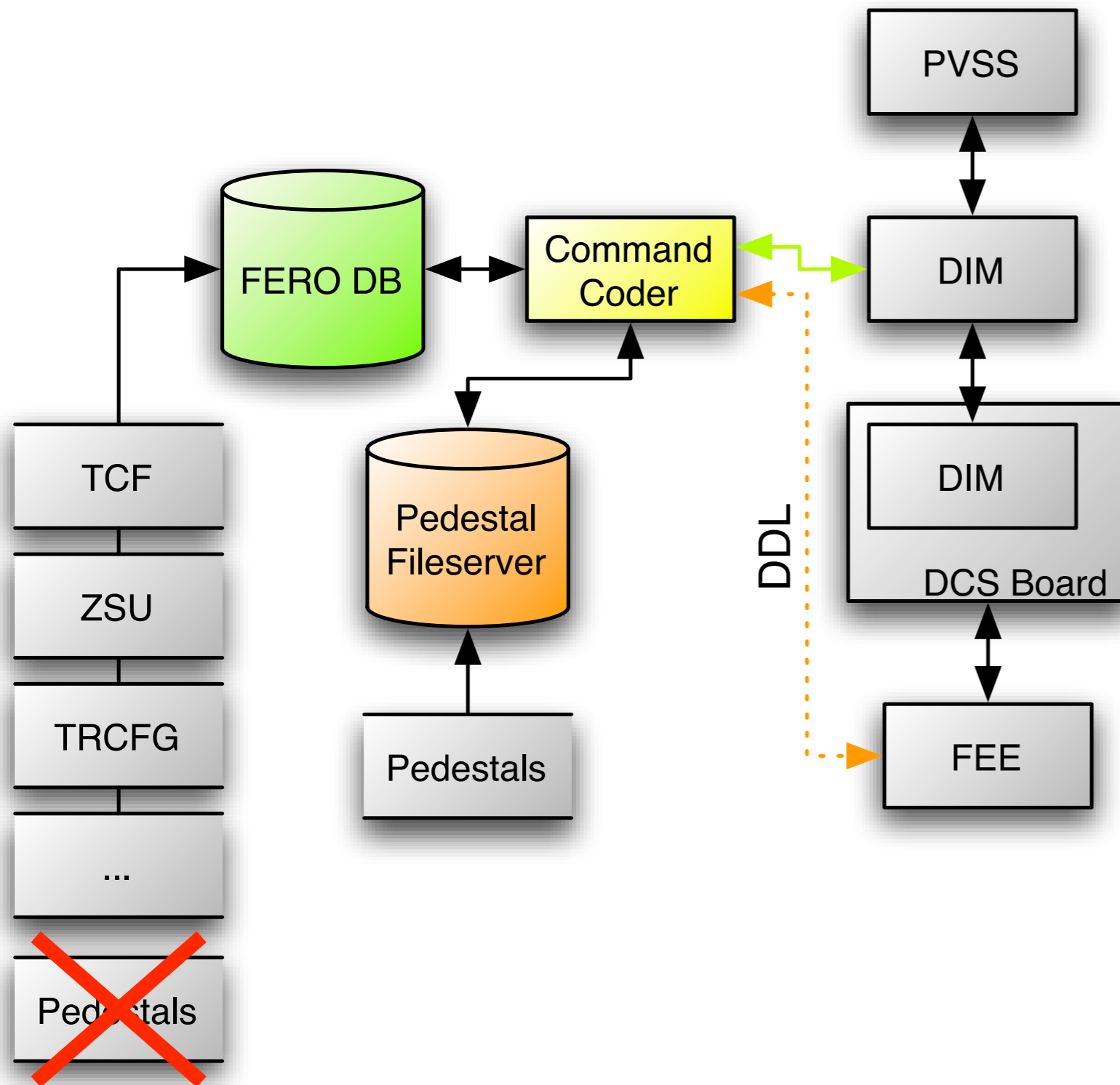
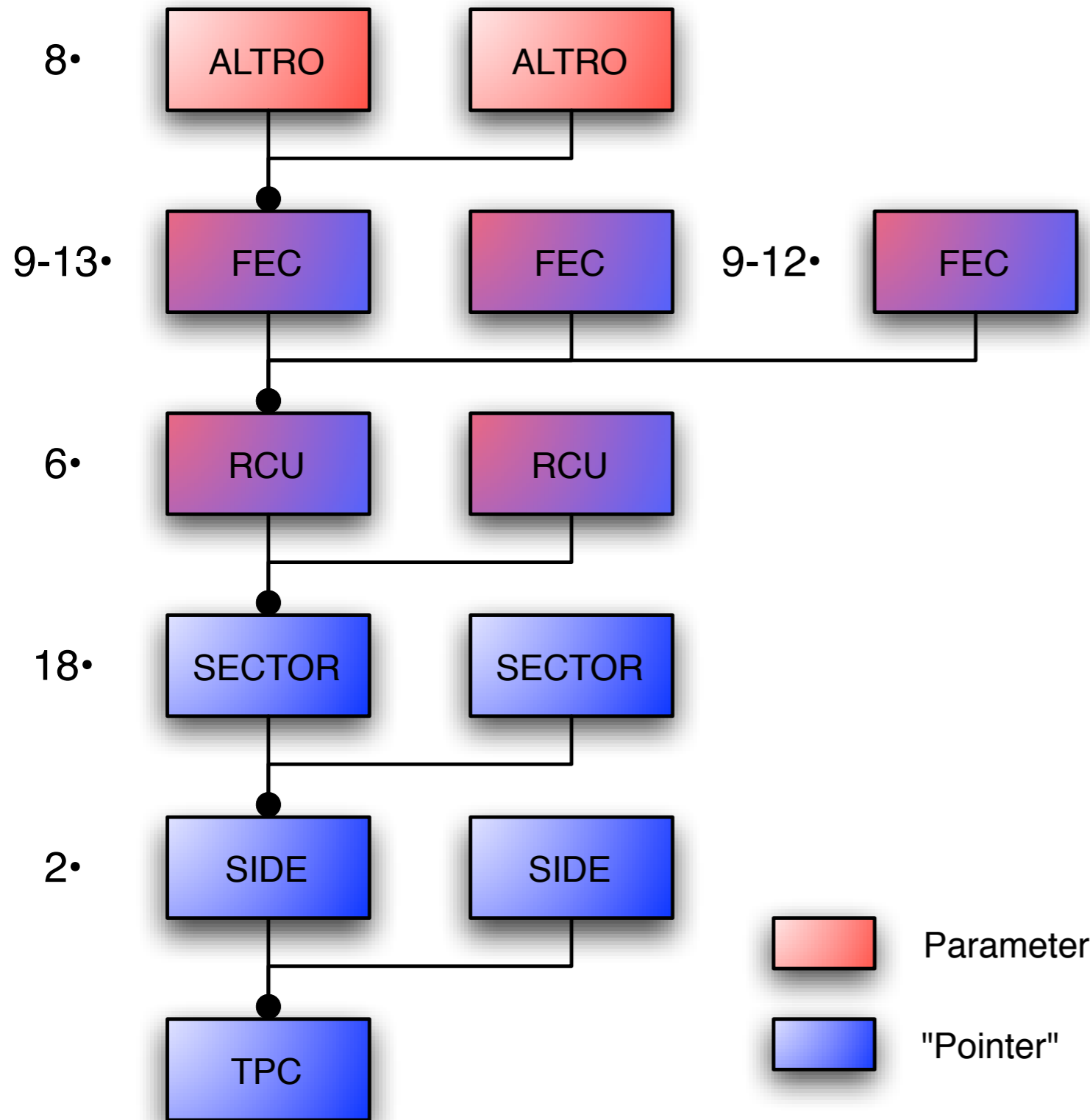


# FEE Configuration



- Command Coder
- implemented
- tested
- FERRO DB
- Next Slide
- Pedestal Fileserver
- existence & reason
- DDL
- scheme for Pedestal calculation (PC)
- implementation PC
- config via DDL

# TPC Structure v1.0 $\alpha$



- Follows Detector Layout
- Each Entity could be "reused"
- Fixed Table Layout
- (Need of Config for DCS Boards ?)

# Status

- TPC Structure is implemented in DBs  
(MySQL & Oracle)
- Tool (C++, Unix) to create, fill, delete tables is finished  
(fn's to create config, delete config, aob will come)
- Speed & Function tests will come
- This would be the (only) interface between:  
results out of the configuration analysis and  
the insertion in the FERRO db

# TPC Run ID

Run ID	TPC ID	Path to Pedestal Dir
1	1	/1/
2	1	/2/
3	2	/3/
...	...	...

Run ID	#Run	Physics ID	TPC ID	Path to Pedestal
1	1	1	1	/1/
2	2	1	1	/2/
3	3	2	2	/3/
...	...	...	...	...

# TPC Volume

Partition	#Param	#Total	size(32bit)	size min
ALTRO	132	34848	18MB	7.5MB
FEC	21	4356	360kB	217kB
RCU	53	216	44kB	33kB
Sector	7	36	1kB	1kB
Side	19	2	152B	152B
TPC	3	1	12B	12B